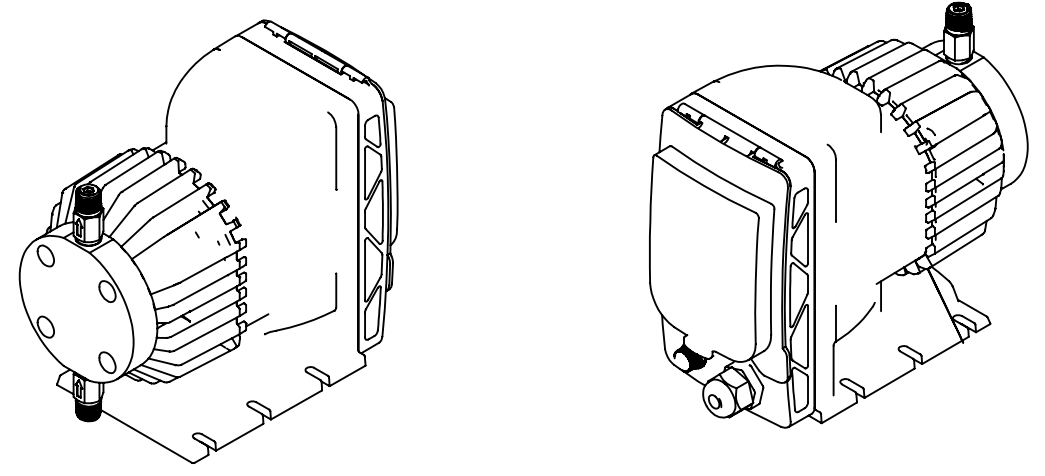
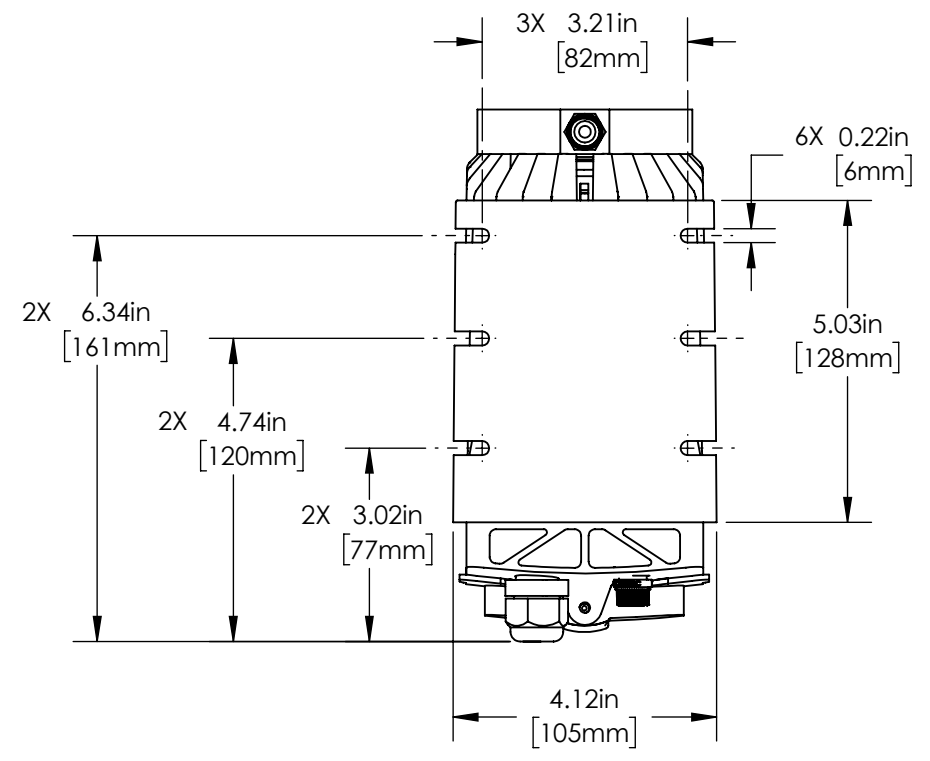
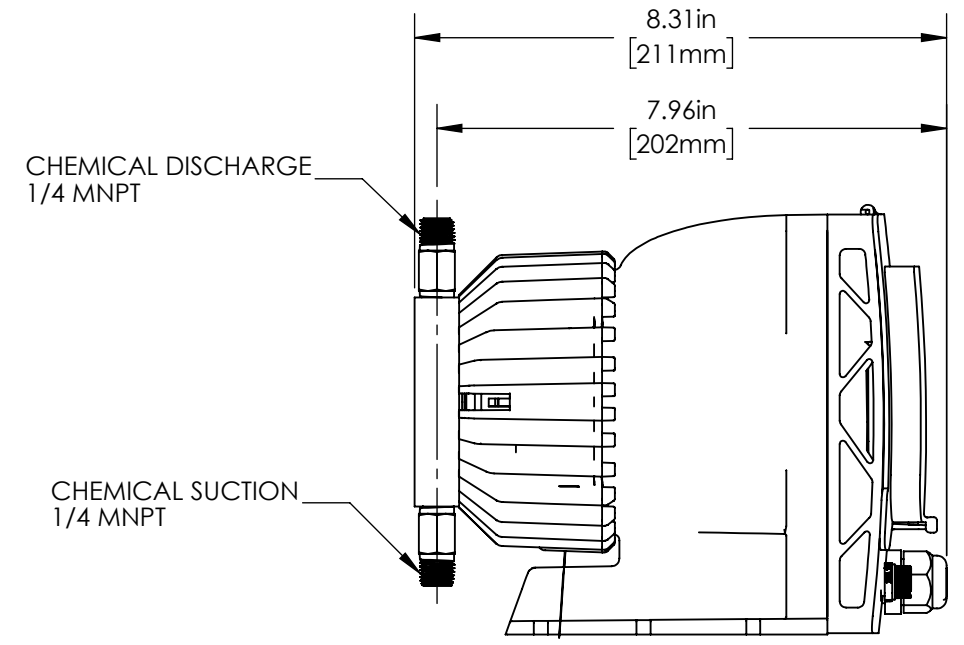
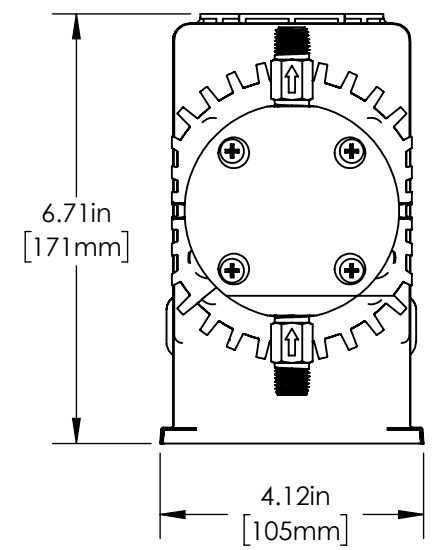


REVISIONS		
REV	DATE	APPROVED
A	04/03/18	WRS



	CheckPoint Pumps & Systems	
	DWG. TITLE SERIES S ELECTRIC PUMP	
21356 MARION LANE MANDEVILLE, LA 70471 USA TEL 504.340.0770 - FAX 888.217.6402		SIZE B
DRAWING NUMBER S1X072SCTA10		SHEET 1 OF 2

PROPRIETARY AND CONFIDENTIAL
 THE INFORMATION CONTAINED HEREIN IS PROPRIETARY TO CHECKPOINT SYSTEMS AND SHALL NOT BE REPRODUCED OR DISCLOSED IN WHOLE OR IN PART OR USED FOR ANY PUPOSE EXCEPT WHEN SUCH USER POSSESSES DIRECT WRITTEN AUTHORIZATION FROM CHECKPOINT SYSTEMS