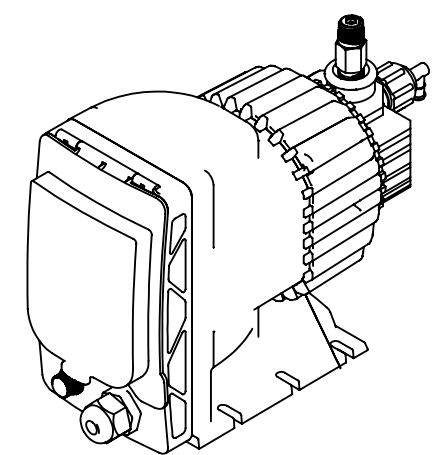
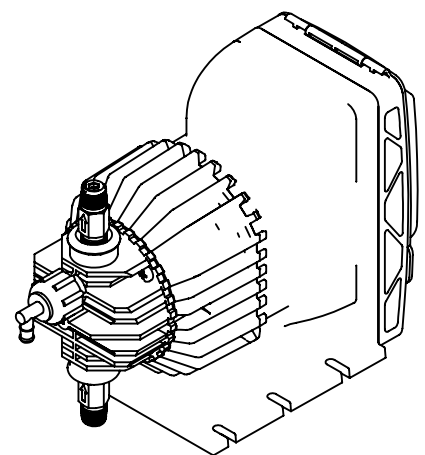
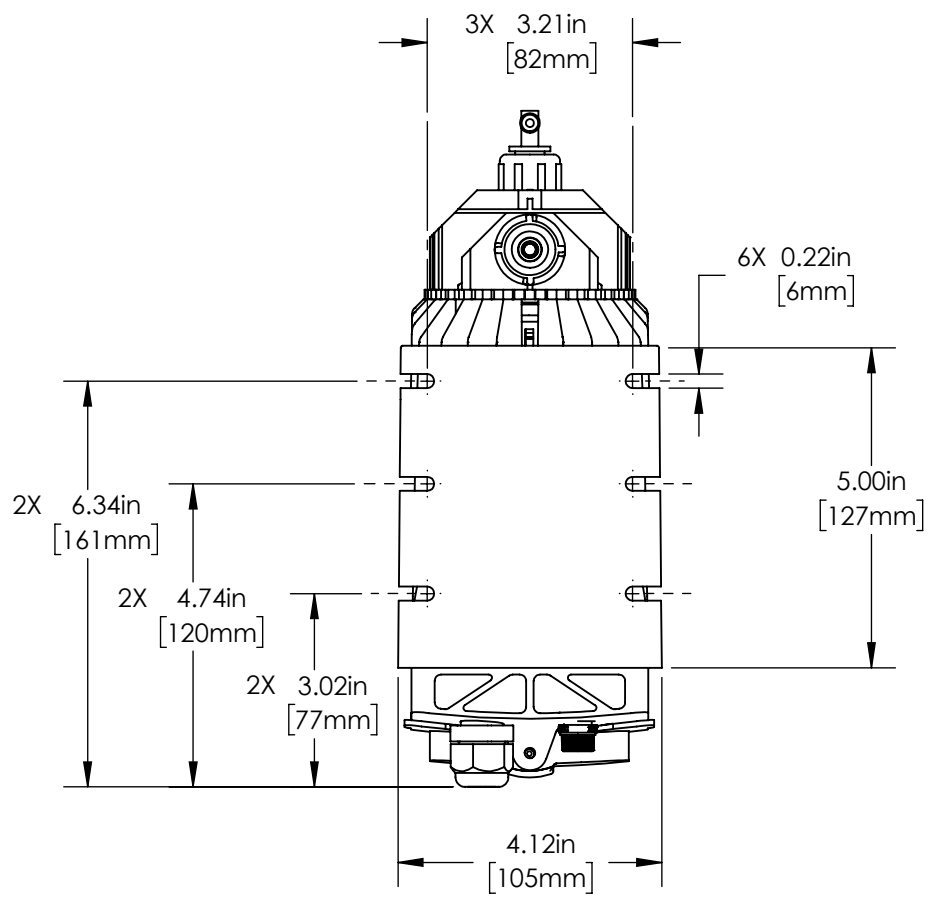
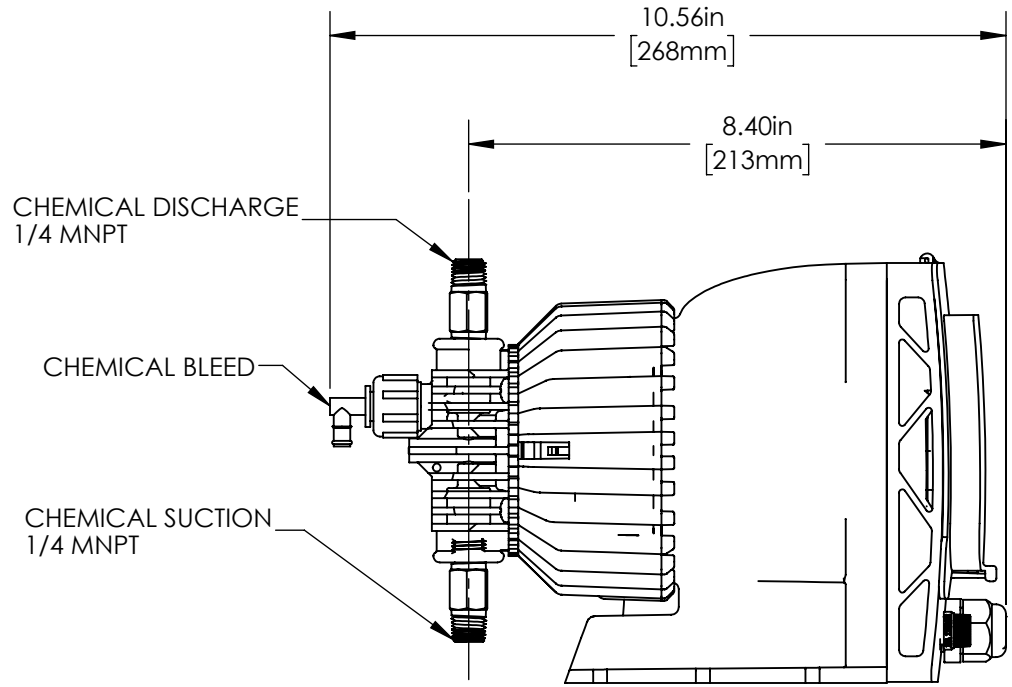
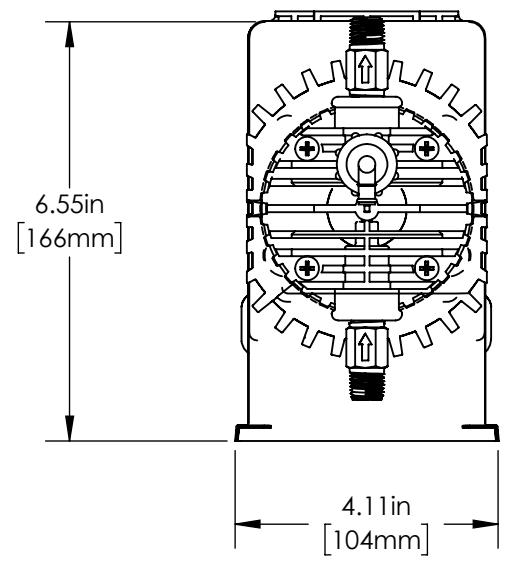


REVISIONS		
REV	DATE	APPROVED
A	04/04/18	WRS



PROPRIETARY AND CONFIDENTIAL
 THE INFORMATION CONTAINED HEREIN IS PROPRIETARY TO CHECKPOINT SYSTEMS AND SHALL NOT BE REPRODUCED OR DISCLOSED IN WHOLE OR IN PART OR USED FOR ANY PUPOSE EXCEPT WHEN SUCH USER POSSESSES DIRECT WRITTEN AUTHORIZATION FROM CHECKPOINT SYSTEMS

21356 MARION LANE
 MANDEVILLE, LA 70471 USA
 TEL 504.340.0770 -- FAX 888.217.6402

CheckPoint
 Pumps & Systems

DWG. TITLE
**SERIES S
 ELECTRIC PUMP**

S1X072PCTA10

SIZE
B

DRAWING NUMBER SHEET 1 OF 2