

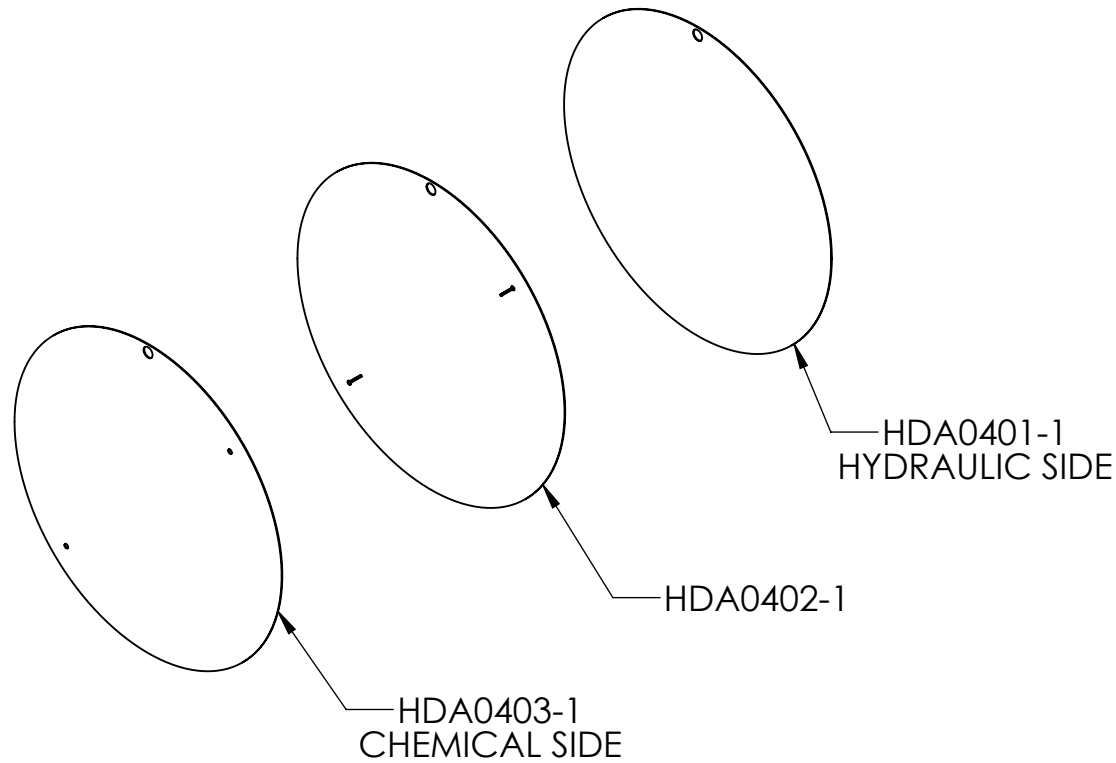


-- DO NOT SCALE DRAWING --

FOR REFERENCE ONLY CONTROLLED BY PDM			
		DWG. TITLE ASSEMBLY - HDA CHEMICAL HEAD SUB ASSY	
REV.	- .03	HDA10LTDCTT	SIZE A
DRAWING NUMBER			



-- DO NOT SCALE DRAWING --

FOR REFERENCE ONLY
CONTROLLED BY PDM

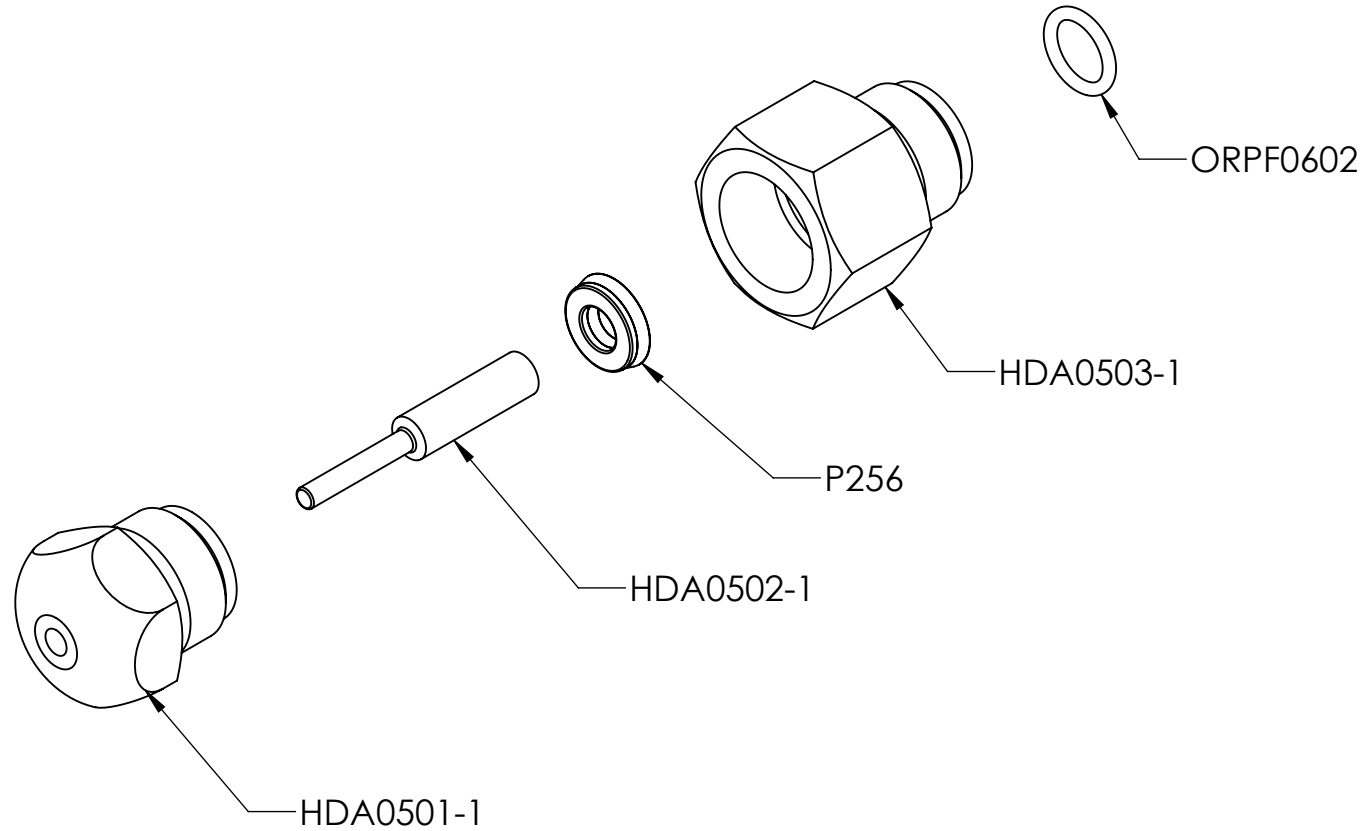


CheckPoint
Pumps & Systems

DWG. TITLE
**ASSEMBLY - HDA
METALLIC DIAPHRAGMS**

REV.	-02	HDA0450-1	SIZE A
------	-----	-----------	-----------

DRAWING NUMBER



-- DO NOT SCALE DRAWING --

FOR REFERENCE ONLY
CONTROLLED BY PDM

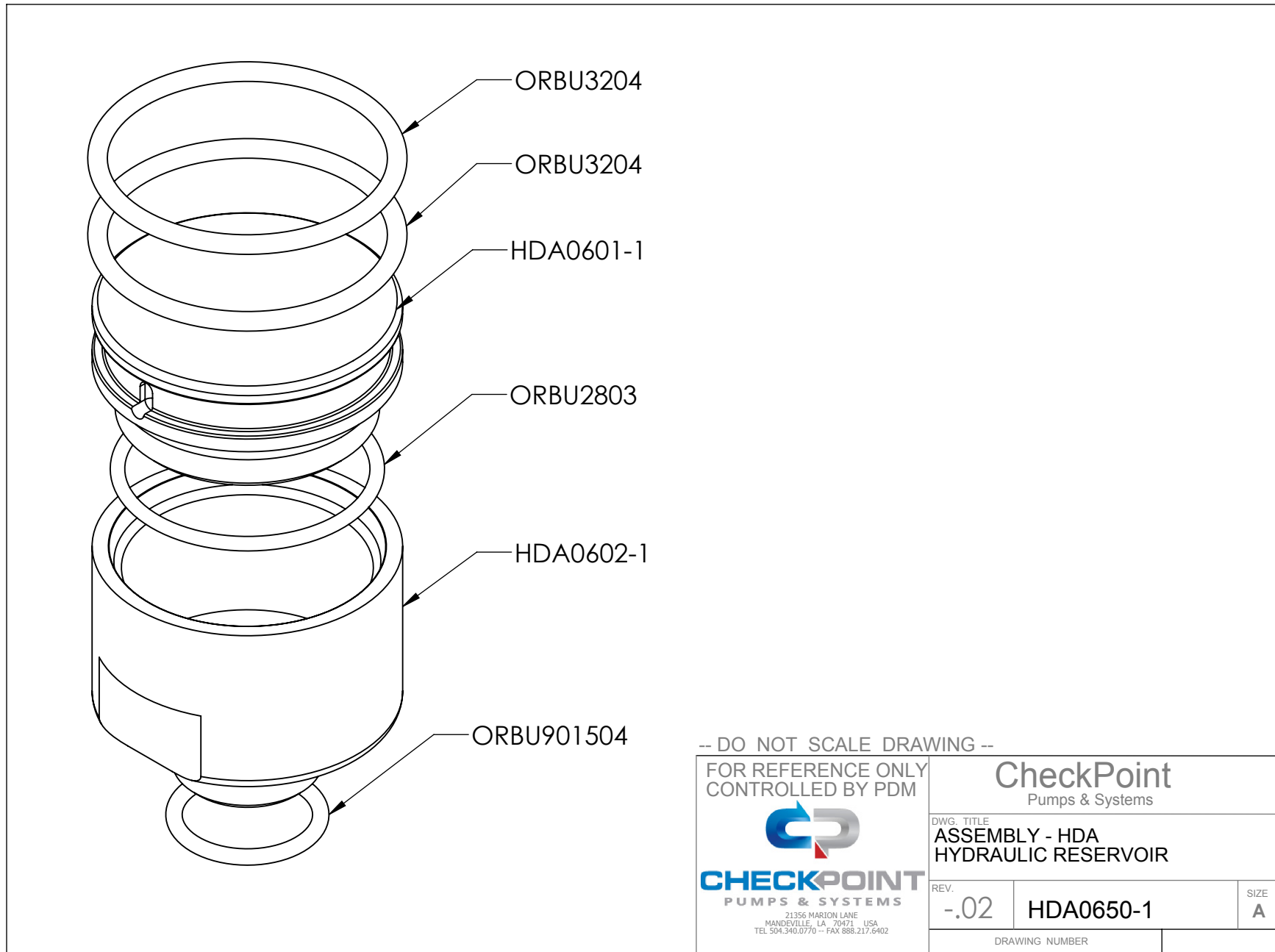


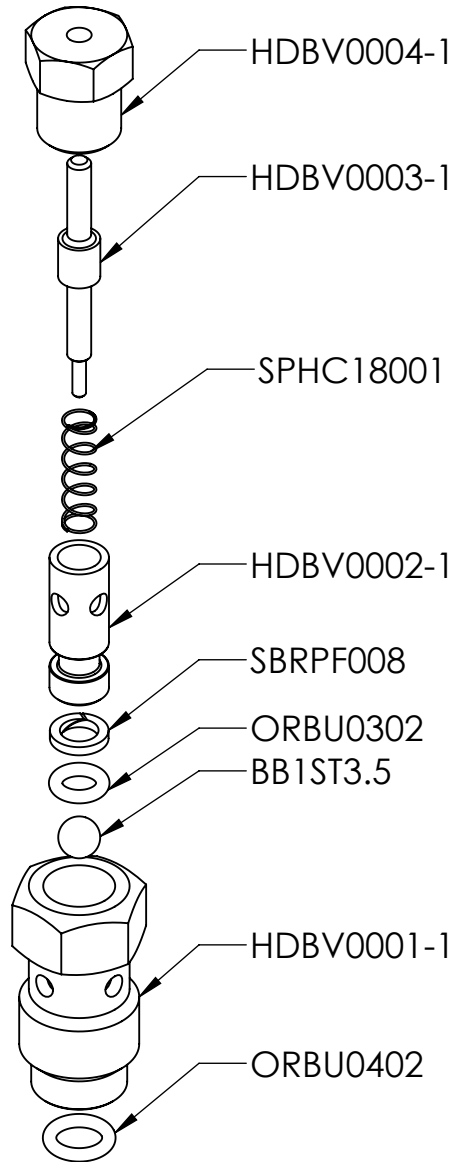
CheckPoint
Pumps & Systems

DWG. TITLE
**ASSEMBLY - LEAK DETECTION
TATTLE TALE**

REV. -.01	HDA0550-1	SIZE A
---------------------	------------------	------------------

DRAWING NUMBER





-- DO NOT SCALE DRAWING --

FOR REFERENCE ONLY
CONTROLLED BY PDM

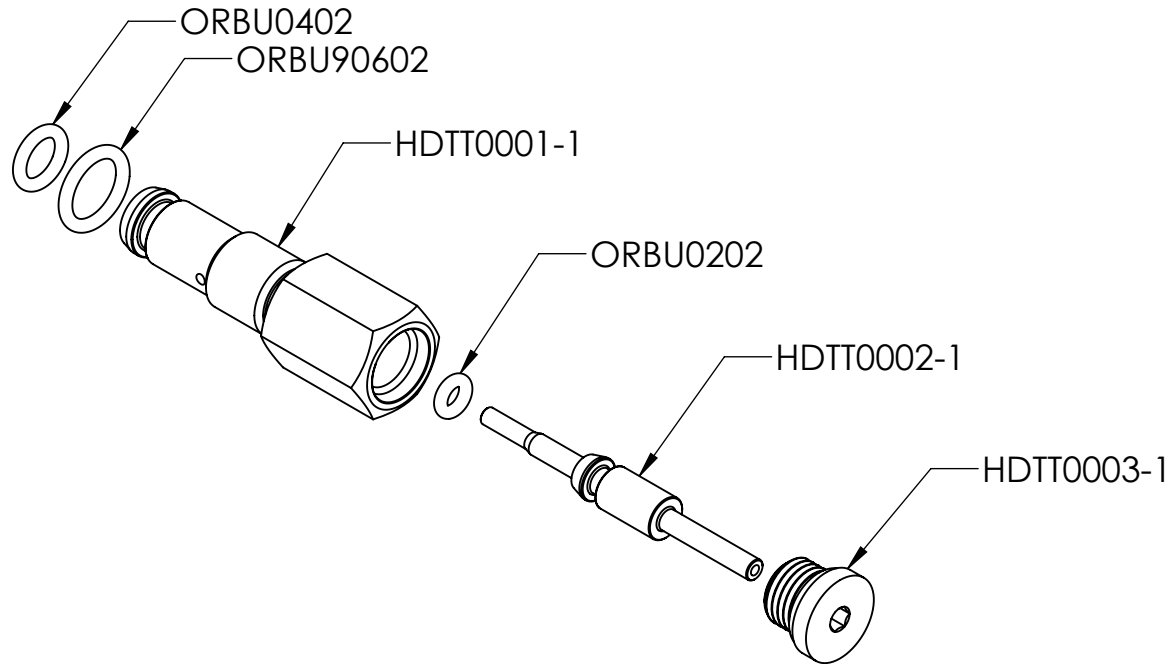


CheckPoint
Pumps & Systems

DWG. TITLE
ASSEMBLY - BURP VALVE

REV.	-04	HDBV0100-1	SIZE A
------	-----	------------	-----------

DRAWING NUMBER



-- DO NOT SCALE DRAWING --

FOR REFERENCE ONLY
CONTROLLED BY PDM



CheckPoint
Pumps & Systems

DWG. TITLE
ASSEMBLY - IRV TATTLE TALE

REV.
-.02

HDTT0100-1

SIZE
A

DRAWING NUMBER

