

QUICK SETUP

Series ATP



WARNING: Ensure that you are wearing proper PPE before performing any action.

Tool Requirements

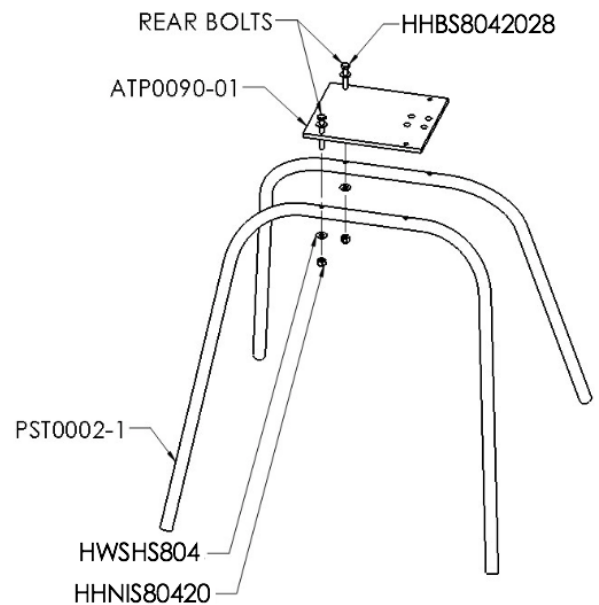
Hex Wrenches: 1/8", 5/32", 3/16"

Open-End Wrenches: 7/16", 5/8", 7/8", 1"

Leg Assembly and Pump Attachment

1. Unpack pump stand assembly, and ensure that all pieces are supplied.
2. Place pump bracket (ATP0090-01) onto both legs. The four holes near the edge of the bracket are located between the two legs (as shown below).
3. Install the two rear bolts with washers through the pump bracket and legs of the pump stand, and tighten the hex nuts.

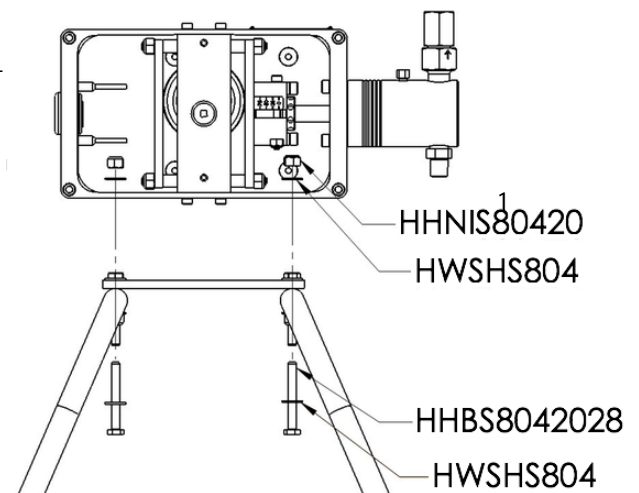
| PART # | DESCRIPTION | QTY. |
|-------------|--------------|------|
| ATP0090-01 | PUMP BRACKET | 1 |
| HHBS8042028 | HEXHEAD BOLT | 4 |
| HHNIS80420 | HEX NUT | 4 |
| HWSHS804 | FLAT WASHER | 8 |
| PST0002-1 | LEG – SOLAR | 2 |



WARNING: Pinch points. Disconnect power before removing cover.



4. Remove the front cover from the pump drive.
5. Set the pump on the stand such that the four carriage-assembly bolt-heads line up in the stand clearance holes. Install the two front bolts with washers from the underside of the pump through the legs and into the pump drive housing, and tighten hex nuts.
6. Connect the suction line to the bottom check valve, and connect the discharge line to the top check valve.



QUICK SETUP

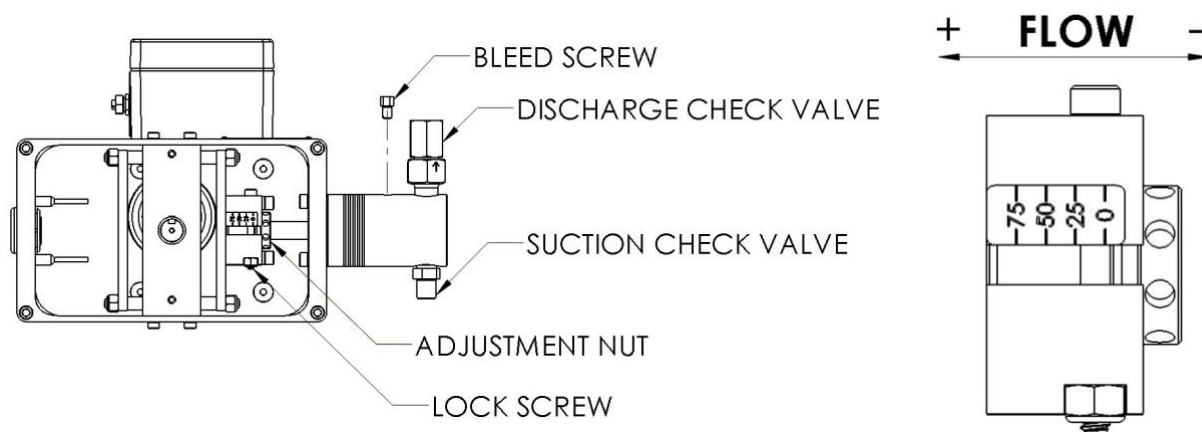
Series ATP



Chemical Flow Rate Adjustment

- Loosen the lock screw on the adjustment block. Using the supplied adjustment tool, turn the adjustment nut to increase or decrease the flow rate to the desired percentage, as indicated by the markings (refer to the flow charts to estimate position based on your application).

CAUTION: Do not turn the adjustment nut to apply force below the 0% or above the 100% mark.



- Re-tighten the lock screw on the adjustment block.
- Reinstall the pump cover.
- Connect the pump to the electrical service.

CAUTION: Ensure that the power source does not exceed the rating for the pump motor.

- With fluid media present at the pump suction, loosen the bleed screw and discharge line at the discharge check outlet to vent to atmosphere. Run the pump until all air trapped in the head is released. Stop the pump. Re-tighten the discharge line and bleed screw.
- Run a drawdown flow calibration. If the flow rate is correct, stop here. If the flow rate requires adjustment, continue.
- Disconnect the power.

WARNING: Pinch points. Disconnect power before removing cover.



- Remove the pump cover.
- Return to Step 7. Repeat these steps until the target flow rate is achieved.