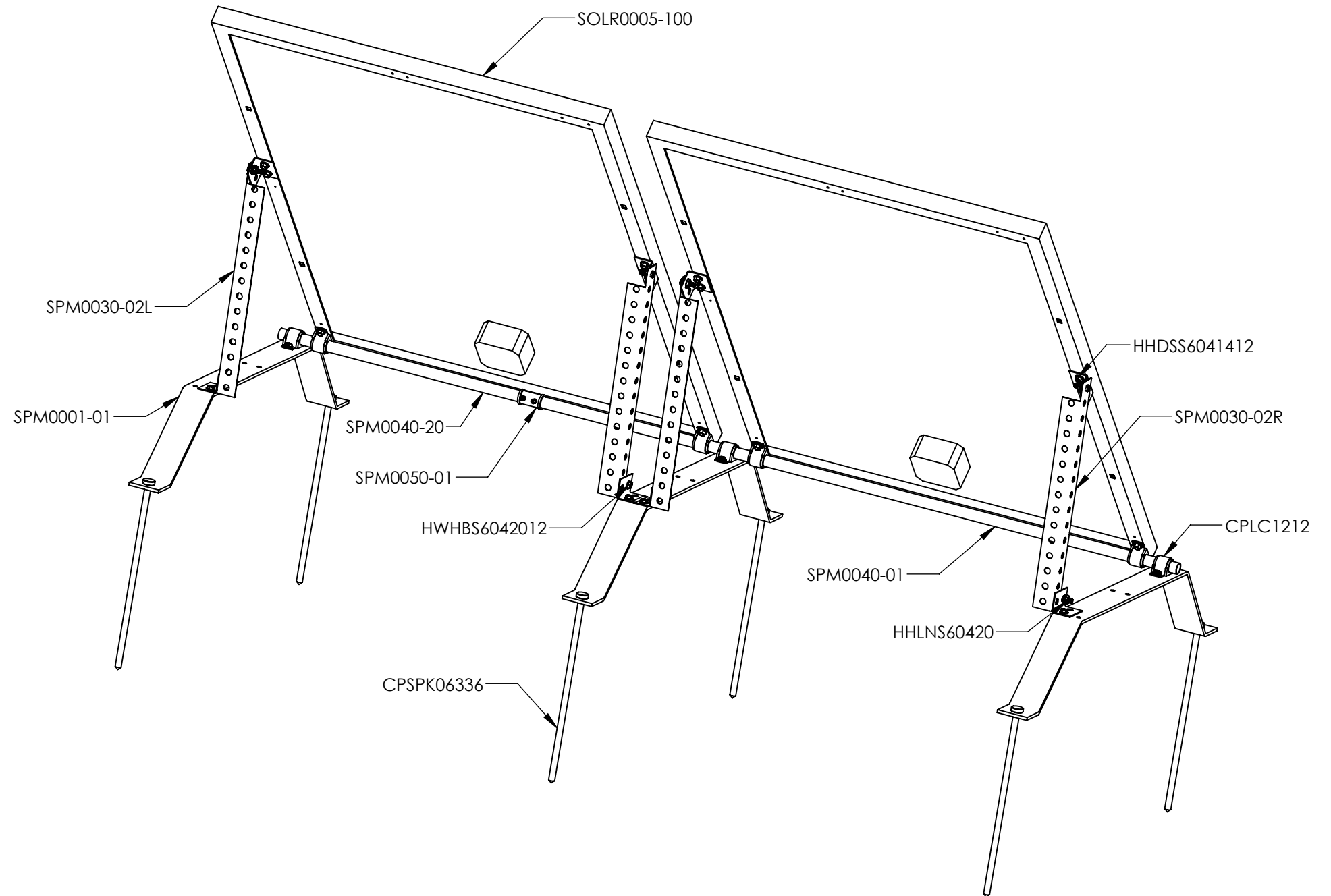


PART #
IGSPM2G200W0-001

REVISIONS			
REV	DESCRIPTION	DATE	APPROVED
A	INITIAL RELEASE	02/27/19	WRS

PART NUMBER	DESCRIPTION	QTY.
SPM0040-01	TUBE	1
SPM0050-01	TUBE COUPLING	1
CPLC1212	LINE CLAMP	7
SPM0001-01	FOOT	3
SOLR0005-100	SOLAR PANEL	2
SPM0030-02L	LEFT ANGLE	2
SPM0030-02R	RIGHT ANGLE	2
SPM0020-01	ANGLE MOUNT	8
CPSPK06336	12" X 3/8" SPIKE	6
HHDSS6041412	SELF TAPING SCREW	16
HWHBS6042012	BOLT	18
HHLNS60420	LOCK NUT	18
SPM0040-20	TUBE	1

TOOLS REQUIRED	QTY
HAMMER	1
3/8" OPEN END WRENCH	1
7/16" OPEN END WRENCH	1
PROTRACTOR	1
COMPASS	1



STEP 1: CHECK CONTENTS OF PACKAGE TO ACOUNT FOR ALL PARTS. IF ANYTHING IS MISSING PLEASE CONTACT YOUR LOCAL CHECKPOINT REPRESENTATIVE OR CALL +1 (800) 847-7867 SALES@CPPUMPS.COM

-- DO NOT SCALE DRAWING --



UNLESS OTHERWISE SPECIFIED:
DIMENSIONS ARE IN INCHES AND
RADII = 0.015

TOLERANCES:
ANGULAR: ± 0.5 deg
DECIMAL:
.xx ±.010 .xxx ±.005

125/ 63/

	NAME	DATE
DRAWN	J.FERRILL	02/27/19
CHECKED	A.CANIK	02/27/19
ENG APPR.	W. SCHNECK	02/27/19
MFG APPR.	M. LOVAS	02/27/19
Q.A.	R. DELEON	02/27/19

CheckPoint
Pumps & Systems

DWG. TITLE
**SOLAR 2 PANEL
GROUND MOUNT**

REV
-06

IGSPM2G200W0-001

SIZE
B

DRAWING NUMBER SHEET 1 OF 5

PROPRIETARY AND CONFIDENTIAL
THE INFORMATION CONTAINED HEREIN IS PROPRIETARY TO CHECKPOINT SYSTEMS AND SHALL NOT BE REPRODUCED OR DISCLOSED IN WHOLE OR IN PART OR USED FOR ANY PUPOSE EXCEPT WHEN SUCH USER POSSESSES DIRECT WRITTEN AUTHORIZATION FROM CHECKPOINT SYSTEMS

STEP 2: SLIDE 7 LINE CLAMPS ONTO THE TUBE'S (SEE FIGURE A)

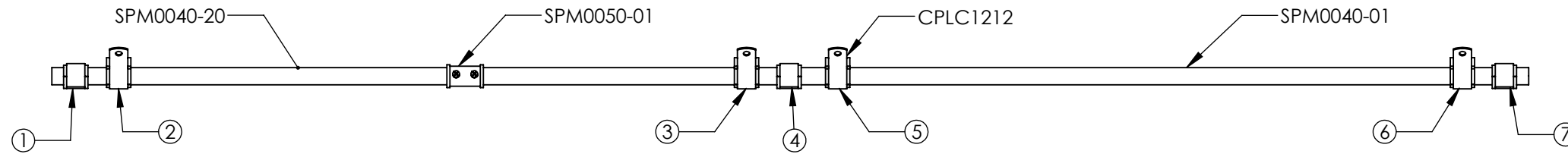


FIGURE A

STEP 3: USING 8 SELF-DRILLING SCREWS FROM THE KIT SCREW THE 4 LINE CLAMPS AND PIPE TO THE PANELS IN THE PRE-DRILLED HOLES AS SEEN IN FIGURE B.

STEP 4: USING 8 SELF-DRILLING SCREWS FROM THE KIT. SCREW THE 4 ANGLE MOUNTS TO THE PANEL IN THE PRE-DRILLED HOLES IN FIGURE B.

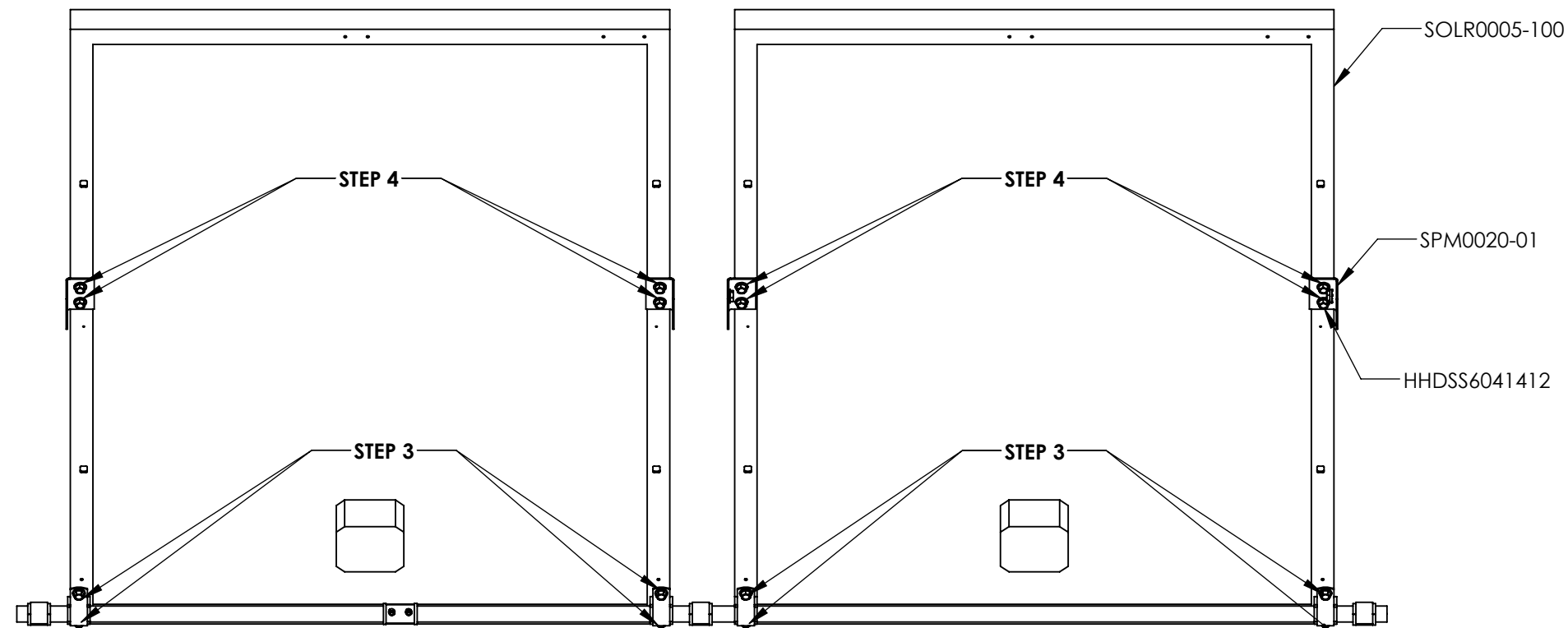


FIGURE B

-- DO NOT SCALE DRAWING --
BREAK SHARP EDGES: .005 - .010



UNLESS OTHERWISE SPECIFIED:
DIMENSIONS ARE IN INCHES AND
RADII = 0.015

TOLERANCES:
ANGULAR: ± 0.5 deg
DECIMAL:
.xx ± 0.10 .xxx ± 0.05

125/ 63/

CheckPoint Pumps & Systems	
DWG. TITLE SOLAR 2 PANEL GROUND MOUNT	
REV -.06	SIZE B
DRAWING NUMBER SPM2G200W0-001	
SHEET 2 OF 5	

PROPRIETARY AND CONFIDENTIAL
THE INFORMATION CONTAINED HEREIN IS PROPRIETARY TO CHECKPOINT SYSTEMS AND SHALL NOT BE REPRODUCED OR DISCLOSED IN WHOLE OR IN PART OR USED FOR ANY PURPOSE EXCEPT WHEN SUCH USER POSSESSES DIRECT WRITTEN AUTHORIZATION FROM CHECKPOINT SYSTEMS

STEP 4: LOCATE THE 3 GROUND MOUNT FEET, 9 BOLTS/LOCK NUTS AND 3 ANGLE MOUNTS FROM THE KIT. INSTALL AS SEEN IN FIGURE C.

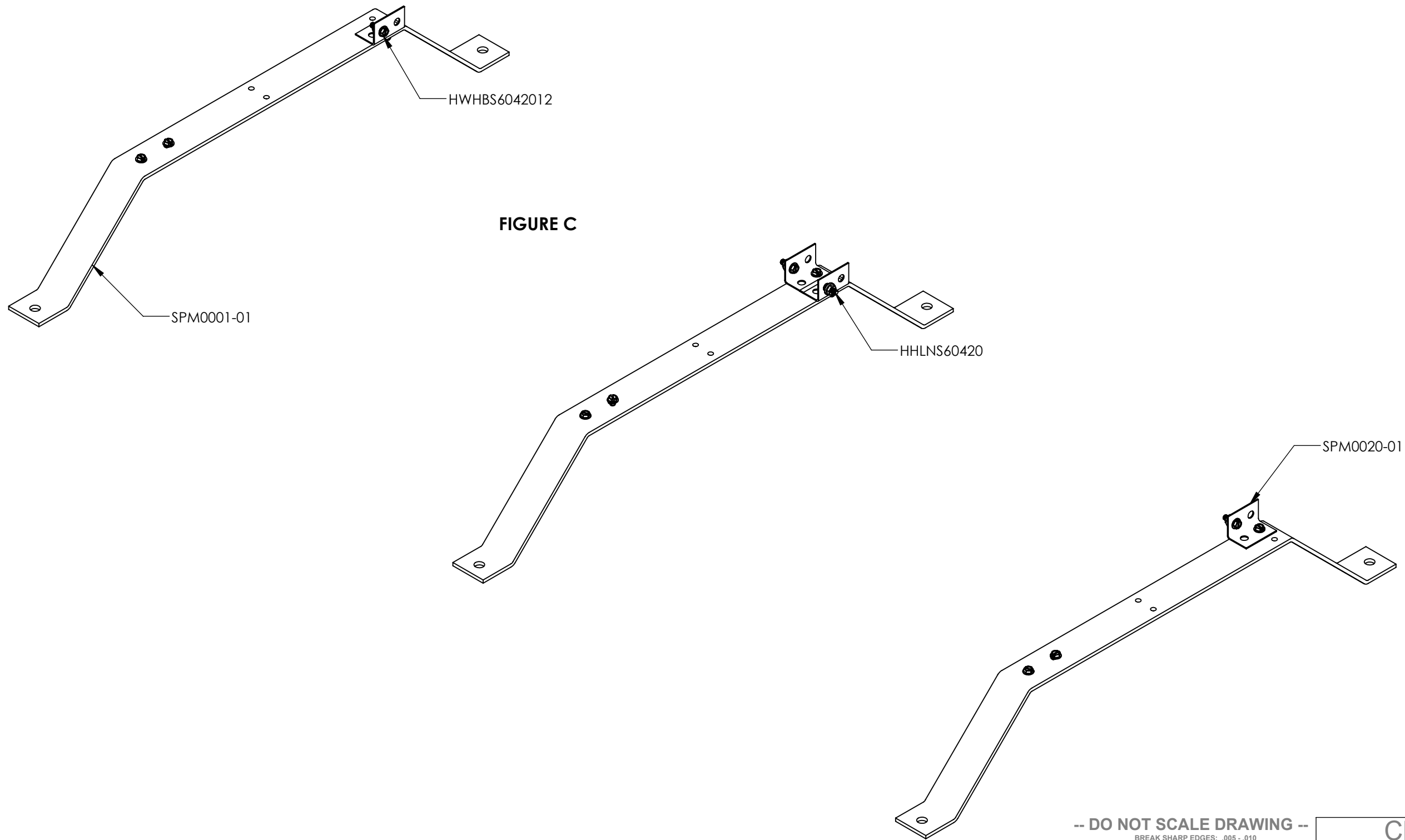


FIGURE C

-- DO NOT SCALE DRAWING --
BREAK SHARP EDGES: .005 - .010



UNLESS OTHERWISE SPECIFIED:
DIMENSIONS ARE IN INCHES AND
RADII = 0.015
TOLERANCES:
ANGULAR: ± 0.5 deg
DECIMAL:
.xx ±.010 .xxx ±.005
125/ 63/

CheckPoint Pumps & Systems	
DWG. TITLE SOLAR 2 PANEL GROUND MOUNT	
REV -.06	IGSPM2G200W0-001
SIZE B	
DRAWING NUMBER	
SHEET 3 OF 5	

PROPRIETARY AND CONFIDENTIAL
THE INFORMATION CONTAINED HEREIN IS PROPRIETARY TO CHECKPOINT SYSTEMS AND SHALL NOT
BE REPRODUCED OR DISCLOSED IN WHOLE OR IN PART OR USED FOR ANY PURPOSE EXCEPT WHEN
SUCH USER POSSESSES DIRECT WRITTEN AUTHORIZATION FROM CHECKPOINT SYSTEMS

STEP 5: BOLT THE ASSY FROM STEP 3 TO THE FEET IN STEP 4 AS SEEN IN FIGURE D.

STEP 6: BOLT THE ANGLE ADJUSTERS TO THE FEET AND PANEL AS SEEN IN FIGURE E.

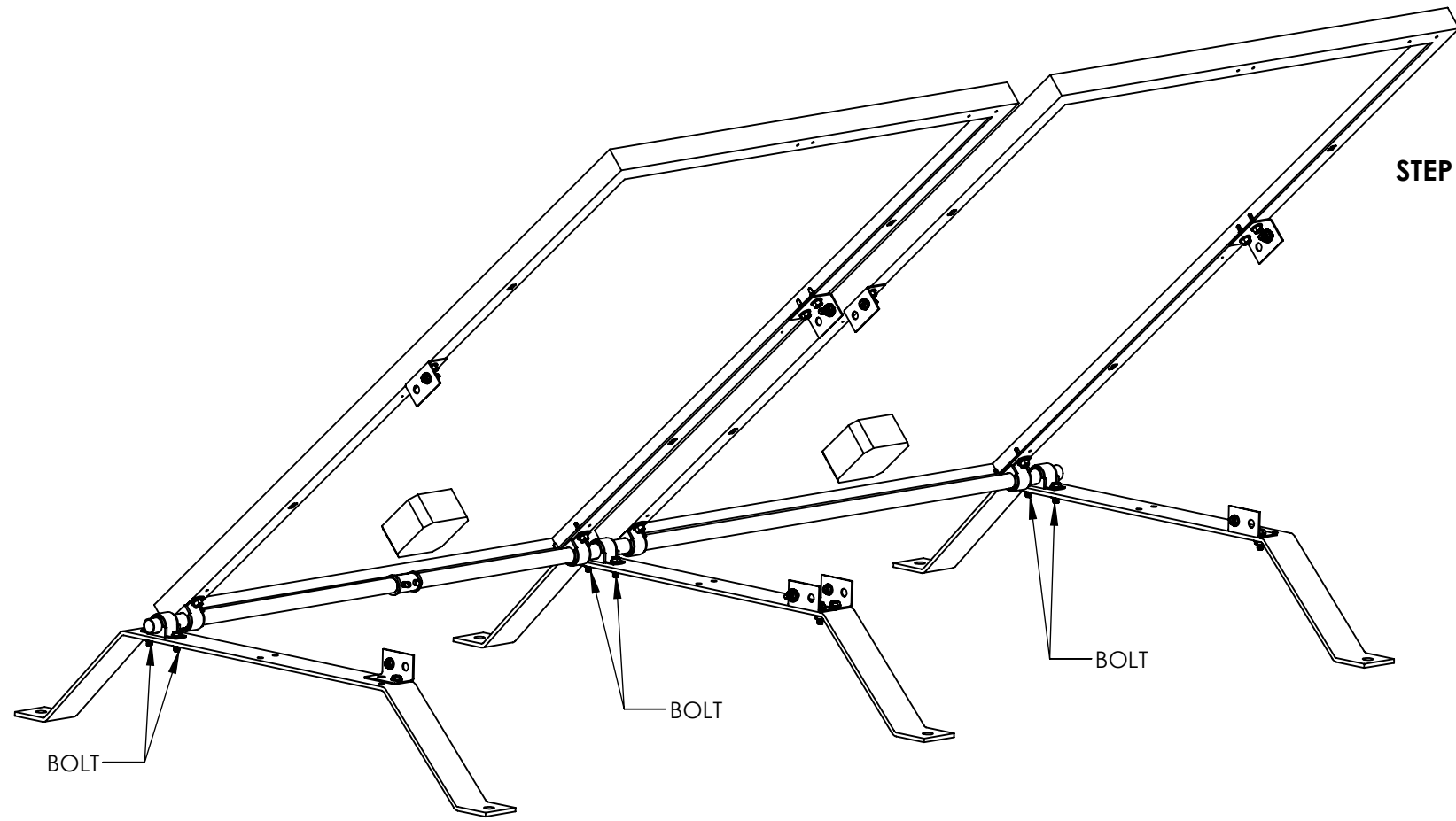


FIGURE D

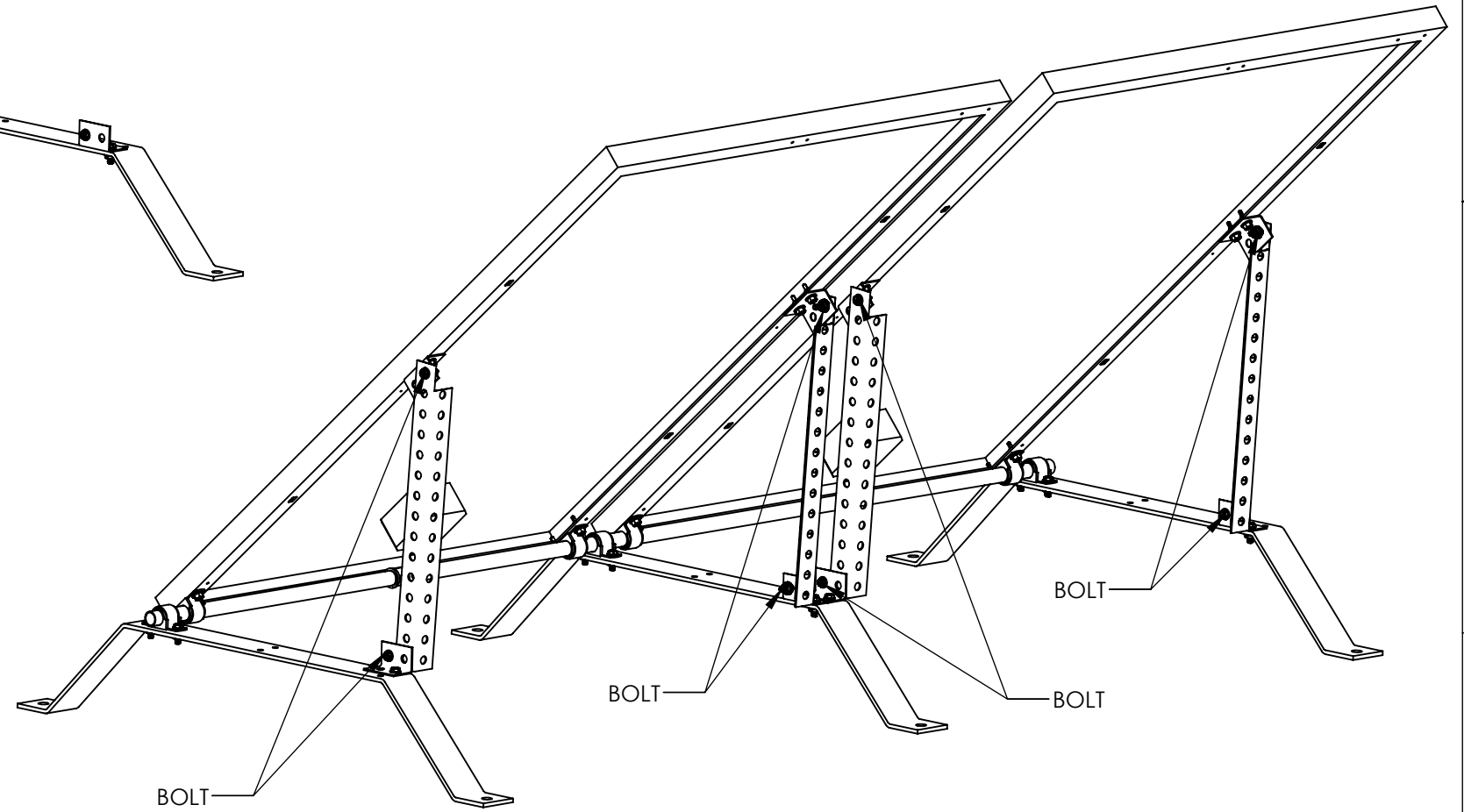


FIGURE E

-- DO NOT SCALE DRAWING --
BREAK SHARP EDGES: .005 - .010



UNLESS OTHERWISE SPECIFIED:
DIMENSIONS ARE IN INCHES AND
RADII = 0.015

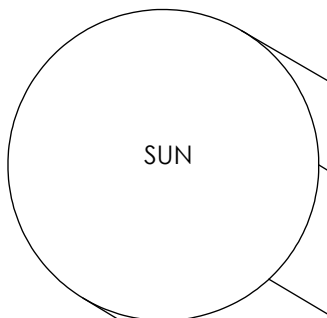
TOLERANCES:
ANGULAR: ± 0.5 deg
DECIMAL:
.xx ± 0.10 .xxx ± 0.005

125/ 63/

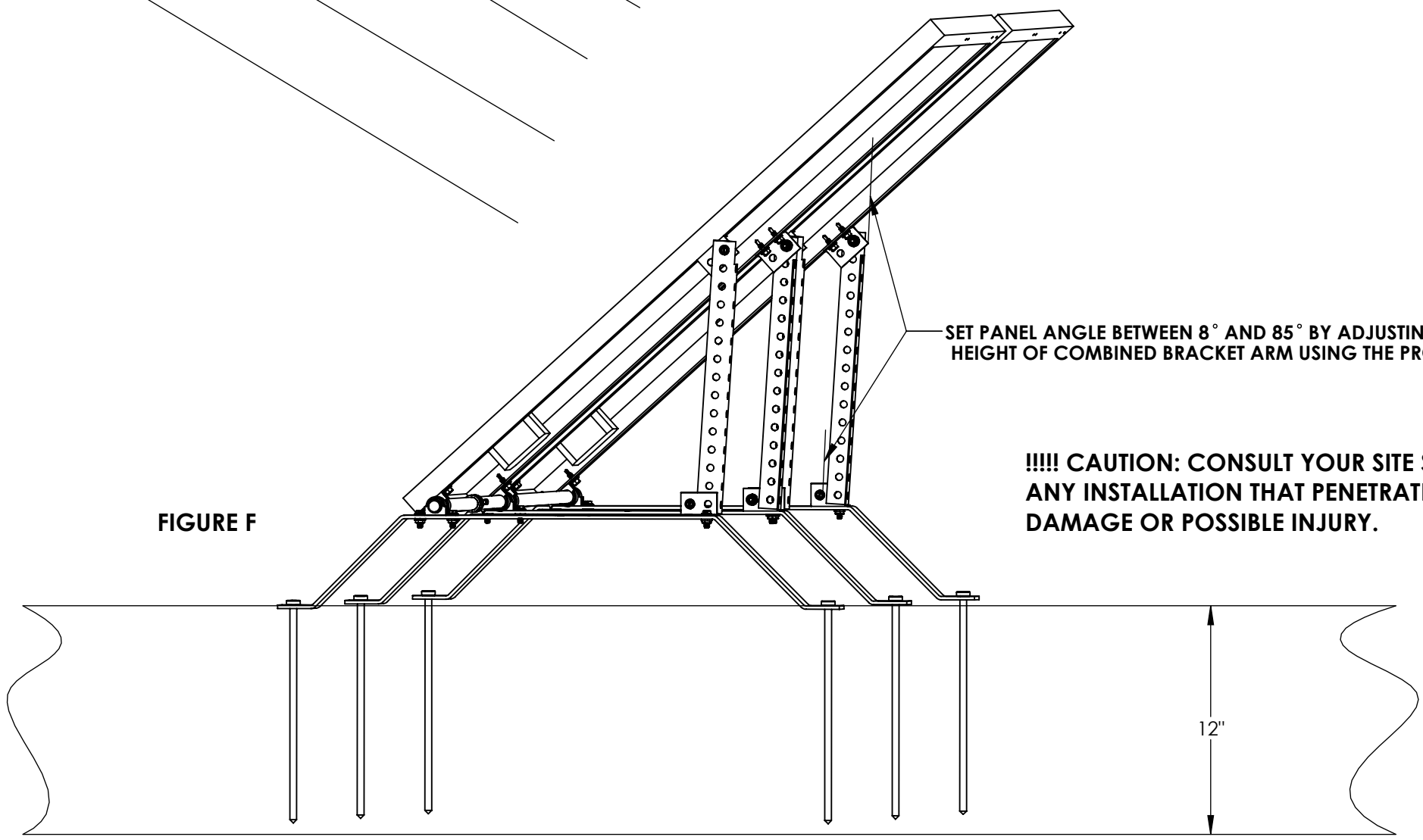
CheckPoint Pumps & Systems	
DWG. TITLE SOLAR 2 PANEL GROUND MOUNT	
REV -.06	SIZE B
DRAWING NUMBER IGSPM2G200W0-001	
SHEET 4 OF 5	

PROPRIETARY AND CONFIDENTIAL
THE INFORMATION CONTAINED HEREIN IS PROPRIETARY TO CHECKPOINT SYSTEMS AND SHALL NOT
BE REPRODUCED OR DISCLOSED IN WHOLE OR IN PART OR USED FOR ANY PURPOSE EXCEPT WHEN
SUCH USER POSSESSES DIRECT WRITTEN AUTHORIZATION FROM CHECKPOINT SYSTEMS

STEP 7: FACE & ANGLE THE PANELS FOR OPTIMAL PERFORMANCE DURING THE LOWEST INSOLATION MONTH, INSTALL THE 6 GROUND SPIKES AS SEEN IN FIGURE F. CONSULT CHECKPOINT FOR DETAILED INFORMATION AT (800) 847-7867 OR SALES@CPPUMPS.COM



!!!! CAUTION: ENSURE THERE ARE NO OBSTRUCTIONS CASTING A SHADOW ON THE PANELS TO AVOID GREATLY REDUCING THEIR POWER OUTPUT EFFICIENCY.



SET PANEL ANGLE BETWEEN 8° AND 85° BY ADJUSTING HEIGHT OF COMBINED BRACKET ARM USING THE PROTRACTOR

!!!! CAUTION: CONSULT YOUR SITE SUPERVISOR FOR CLEARANCE PRIOR TO PERFORMING ANY INSTALLATION THAT PENETRATES THE GROUND SURFACE TO AVOID EXISTING ASSET DAMAGE OR POSSIBLE INJURY.

-- DO NOT SCALE DRAWING --
BREAK SHARP EDGES: .005 - .010



UNLESS OTHERWISE SPECIFIED:
DIMENSIONS ARE IN INCHES AND
RADII = 0.015

TOLERANCES:
ANGULAR: ± 0.5 deg
DECIMAL:
.xx ±.010 .xxx ±.005

125/ 63/

CheckPoint Pumps & Systems	
DWG. TITLE SOLAR 2 PANEL GROUND MOUNT	
REV -.06	IGSPM2G200W0-001
SIZE B	
DRAWING NUMBER SHEET 5 OF 5	

PROPRIETARY AND CONFIDENTIAL
THE INFORMATION CONTAINED HEREIN IS PROPRIETARY TO CHECKPOINT SYSTEMS AND SHALL NOT BE REPRODUCED OR DISCLOSED IN WHOLE OR IN PART OR USED FOR ANY PURPOSE EXCEPT WHEN SUCH USER POSSESSES DIRECT WRITTEN AUTHORIZATION FROM CHECKPOINT SYSTEMS