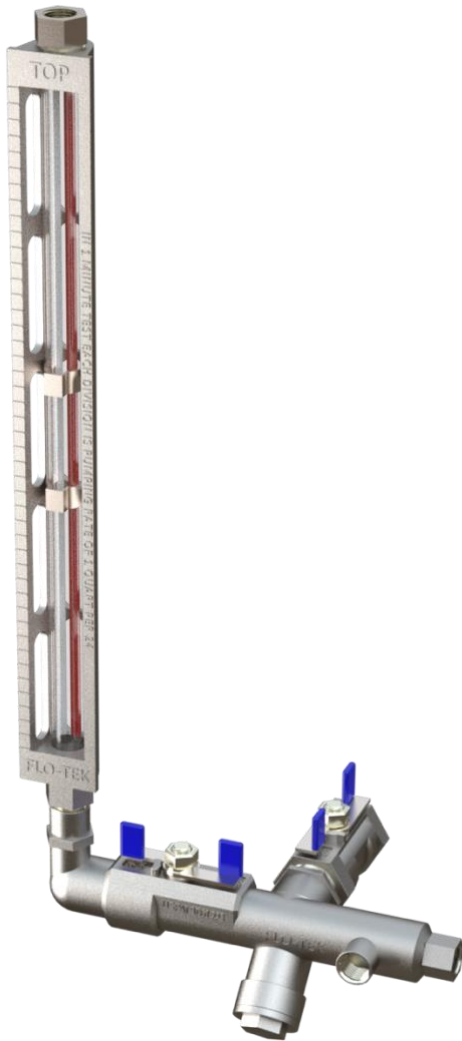


Flo-Tek

Gauge Kit



POWER CONTROL OPTIONS

- On/Off 3/4" Ball Valve(s)
- Site Glass Isolation Valve
- Chemical / Gravity / Pressure
- 50 & 100 Micron Filters Available

OPERATING PARAMETERS & WETTED MATERIALS

- Utilized with Single or Double-Head Pump
- Gauge Optional
- Site Glass Optional

MATERIALS

- Fittings: 316 SS
- Wetted Materials: Teflon

OPERATING PRESSURE

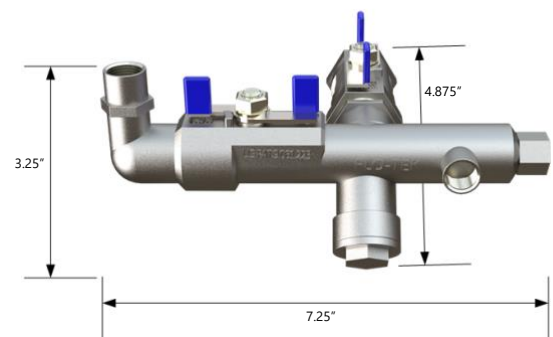
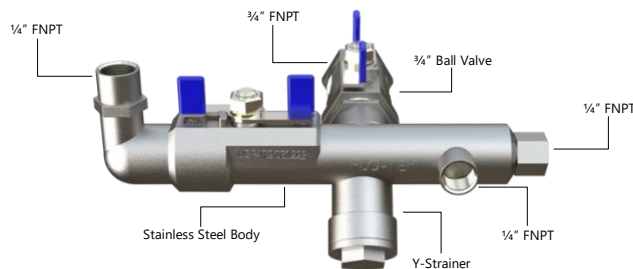
0.0 – 1,000 PSIG (0.0 - 68.9 BARG)

CONNECTIONS

- 3/4" Female NPT, 2 x 1/4" Female NPT
- Y-Strainer: 3/4" FNPT Plug
- Filter: 50 & 100 Micron Filters Available

SUPERIOR DESIGN

- 316 Stainless Steel Assembly
- Multiple Configurations
- Less Assembly Required
 - Fewer Leaks
 - Reduces Assembly Time
- Efficient and Seamless Addition
- Available in Right or Left Configurations
- Increases Packing Life
- Reduces Risk of Foreign Particles Reaching Injection Line



www.cppumps.com • sales@cppumps.com