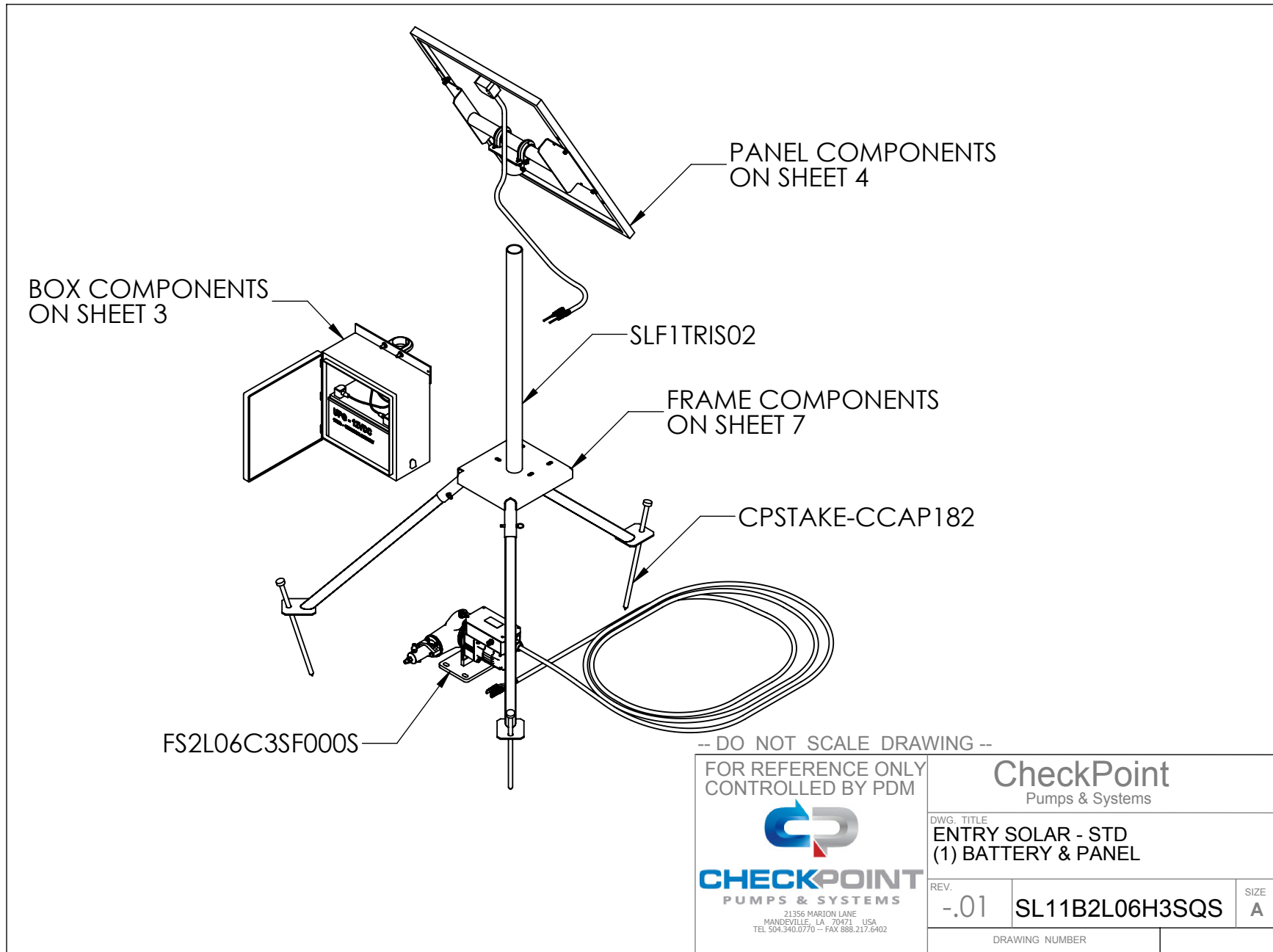




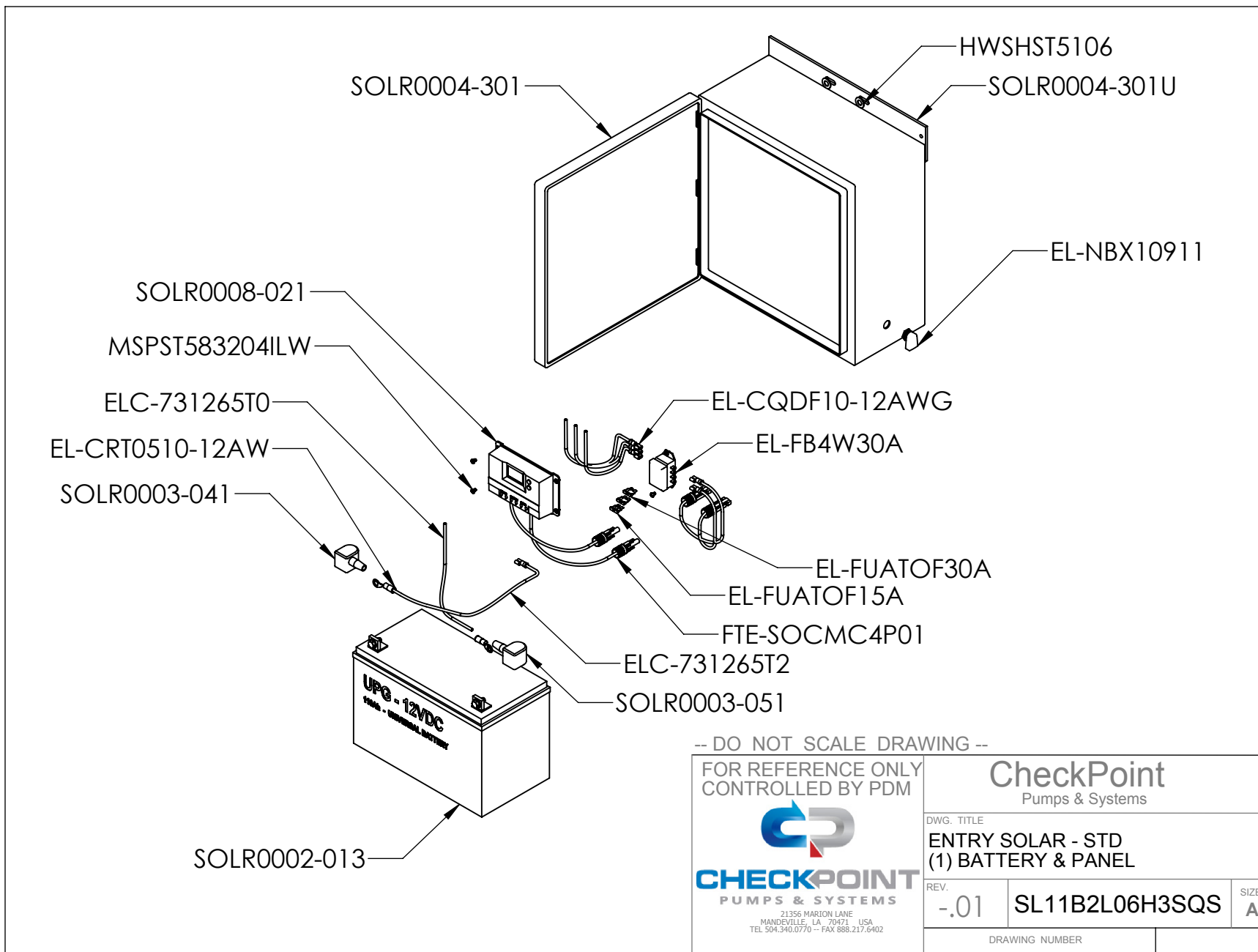
### PUMP CUTAWAYS AND DRAWINGS

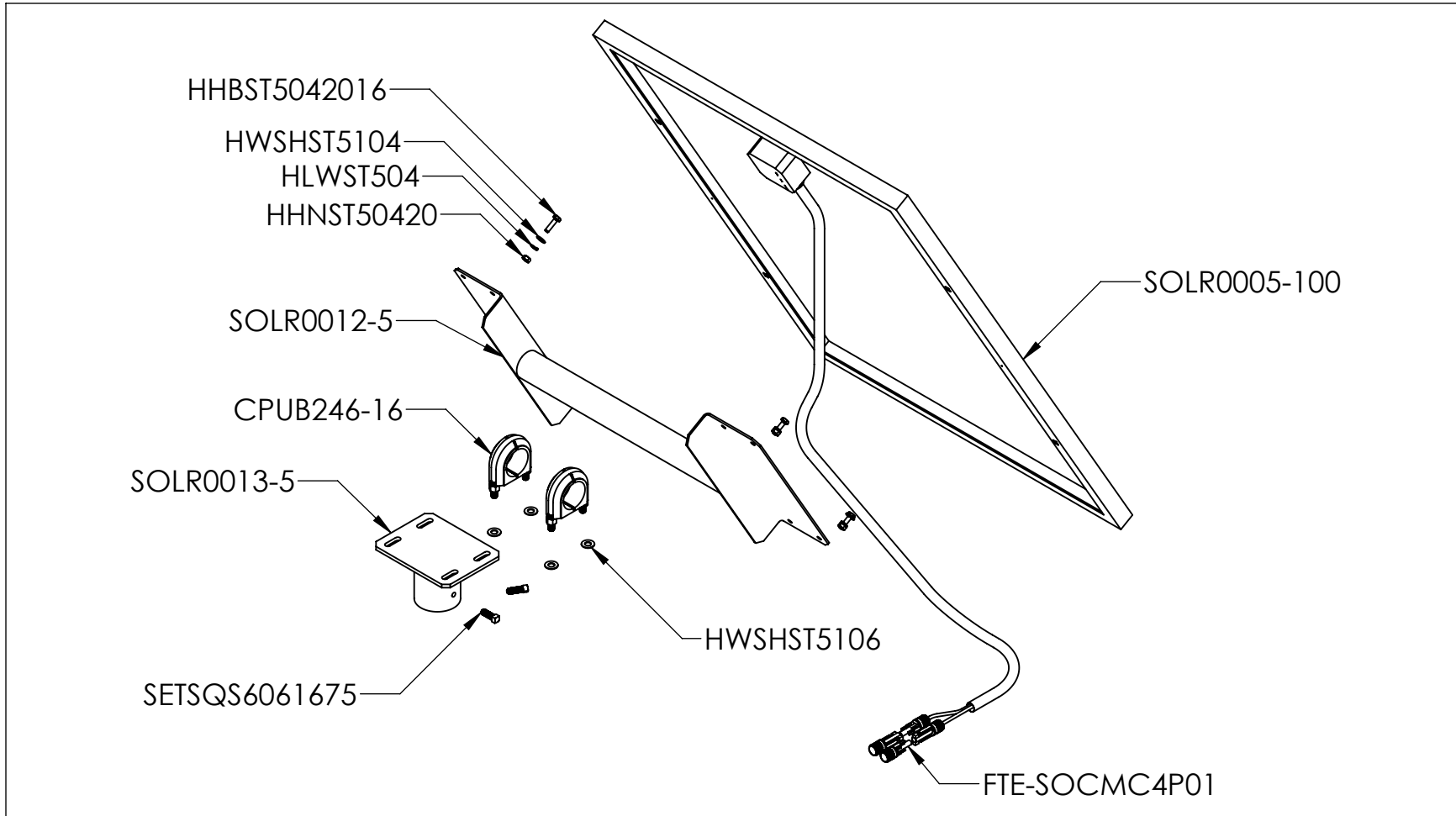
On the following pages are external and internal pump drawings with part numbers and material codes. The following table identifies each material code.

MATERIAL CODES	
303 Stainless Steel	S3
304 Stainless Steel	S4
316 Stainless Steel	S6
17-4 PH Stainless Steel - HH 1150	S7
420 Stainless Steel	S0
6061 Aluminum	A6
Acetal	AC
Aflas®	AF
Buna-N®	BU
Ceramic - EverWear™	CE
Ceramic - NBD200™	CN
Delrin®	DL
Duplex 2205	D4
Super Duplex 2507	D5
Elgiloy®	EL
FKM	PF
FFKM	FK
Hastelloy® C276	HC
HNBR	HN
Iron	FE
Low carbon steel	ST
Monel®	MO
PVC	PV
PEEK	PK
Teflon® - Bronze Filled	TB
Teflon® - Carbon Filled	TC
Teflon® - Glass Filled	TG
Teflon® - Mica Filled	TM
Teflon® - Polyimide Filled	TP
Teflon® - Virgin	TF
Titanium	TI
Ultra High Molecular Weight Polyethylene (UHMWPE)	UH
Urethane	UR
Viton®	VI
XWL	XL





FOR REFERENCE ONLY CONTROLLED BY PDM			
		DWG. TITLE <b>ENTRY SOLAR - STD          (1) BATTERY &amp; PANEL</b>	
REV.	-01	SL11B2L06H3SQS	SIZE A
DRAWING NUMBER			





-- DO NOT SCALE DRAWING --

FOR REFERENCE ONLY CONTROLLED BY PDM			
		DWG. TITLE <b>ENTRY SOLAR - STD          (1) BATTERY &amp; PANEL</b>	
REV.	-01	<b>SL11B2L06H3SQS</b>	SIZE <b>A</b>
DRAWING NUMBER			

NUMBER	DESCRIPTION	QTY.
71530919	5/16" PIN W/LANYARD	3
CPSTAKE-CCAP182	GROUND SPIKE	3
CPUB246-16	VIBRATION - U-BOLT 1 1/2" PIPE	2
CPUB246-32	VIBRATION - U-BOLT 2" PIPE	1
EL-CQDF10-12AWG	PUSH ON CONNECTOR - FEMALE	6
EL-CRT0510-12AW	CRIMP RING TERMINAL	2
EL-FB4W30A	4-WAY FUSE BLOCK	1
EL-FUATOF15A	FUSE ATOF - 15 AMP - 32V	1
EL-FUATOF30A	FUSE ATOF - 30 AMP - 32V	2
EL-NBX10911	VENT - BAT. ENCLOSURE	2
ELC-731265T0	12 AWG WIRE - BLACK	1
ELC-731265T2	12 AWG WIRE - RED	1
ELC-DTNT6	CABLE #12/2C - 36A PVC JACKET	1
FS2L06C3SF000S	3/8" FXS - MOTOR & HUB - SOLAR	1
FTE-A2LNP20S-12	3/4" ELECTRICAL CABLE GLAND	1
FTE-SOCMC4P01	SOLAR QUICK CONNECTORS	3

**FXS 1250 3/8" PUMP SPARES - KFS2S06Q34**

NUMBER	DESCRIPTION	QTY
CPOB5W3007-1	CHECKPOINT OIL BOTTLE - 5W-30	1
KFM04S6Q201	1/4" SS FAILSAFE CHECK REBUILD KIT	2
KFS2FUSE	FXS 1250 SPARE FUSE KIT	1
V37FFQLC	PACKING	1


**FXS 1250 SPARE FUSE KIT - KFS2FUSE**

NUMBER	DESCRIPTION	QTY
EL-FUATOF15A	FUSE ATOF - 15 AMP - 32V	1
EL-FUATOF30A	FUSE ATOF - 30 AMP - 32V	2

**FXS 1250 HEAD REBUILD KIT - KFS2HRK06Q**

NUMBER	DESCRIPTION	QTY
KFM04S6Q201	1/4" SS FAILSAFE CHECK REBUILD KIT	2
V3755QLC	PACKING	1


-- DO NOT SCALE DRAWING --

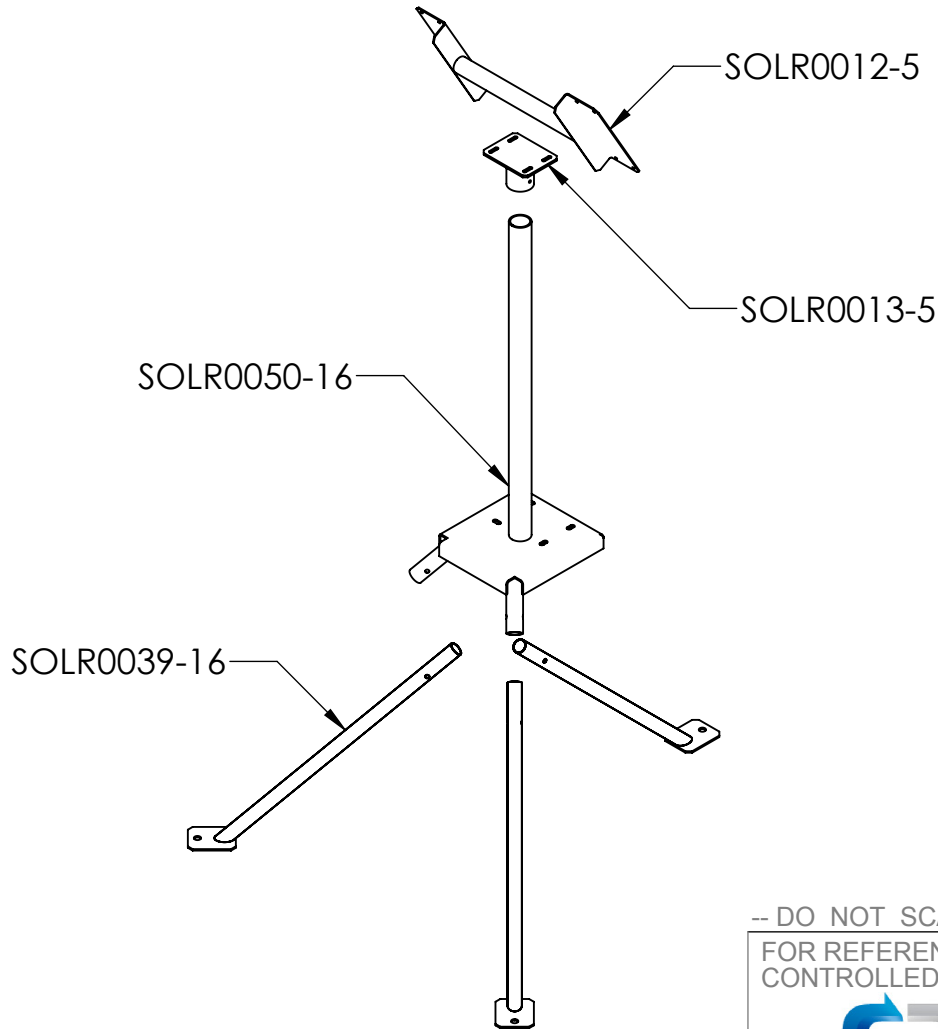
FOR REFERENCE ONLY CONTROLLED BY PDM		<b>CheckPoint</b> Pumps & Systems	
 <b>CHECKPOINT</b> PUMPS & SYSTEMS		DWG. TITLE <b>ENTRY SOLAR - STD (1) BATTERY &amp; PANEL</b>	
REV. -01	SL11B2L06H3SQS	SIZE A	
DRAWING NUMBER			

21356 MARION LANE  
MANDERVILLE, LA 70471 USA  
TEL 504.340.0770 -- FAX 888.217.6402

NUMBER	DESCRIPTION	QTY.
HHBST5042016	HEX HEAD BOLT	4
HHBST5081324	HH-BOLT 1/2-13 x 1 1/2	2
HHNST50420	HEX NUT	4
HHNST50813	1/2"-13 HEX NUT	2
HLWST504	LOCK WASHER	4
HLWST508	1/2" LOCK WASHER	2
HWSHST5104	FLAT WASHER	4
HWSHST5106	3/8" FLAT WASHER	6
HWSHST5108	1/2" FLAT WASHER	4
MSPST583204ILW	MACHINE SCREW WITH INTEGRATED LOCK WASHER	6
SETSQS6061675	SQ HEAD SET SCREW	2
SLF1TRIS02	SOLAR SUPPORT FRAME	1
SOLR0002-013	110Ah 12VDC BATTERY	1
SOLR0003-041	TERMINAL COVER - RED	1
SOLR0003-051	TERMINAL COVER - BLK	1
SOLR0004-301	SINGLE BATTERY BOX - 110AH	1
SOLR0005-100	SOLAR PANEL - 100W 5.75A	1
SOLR0008-021	20AMP - SOLAR CONTROLLER	1

-- DO NOT SCALE DRAWING --

FOR REFERENCE ONLY CONTROLLED BY PDM		<b>CheckPoint</b> Pumps & Systems	
			
DWG. TITLE <b>ENTRY SOLAR - STD (1) BATTERY &amp; PANEL</b>			
REV. -01	DRAWING NUMBER SL11B2L06H3SQS		SIZE A



-- DO NOT SCALE DRAWING --

FOR REFERENCE ONLY  
CONTROLLED BY PDM



**CheckPoint**  
Pumps & Systems

DWG. TITLE  
SOLAR SUPPORT FRAME

REV.  
-.01



SLF1TRIS02

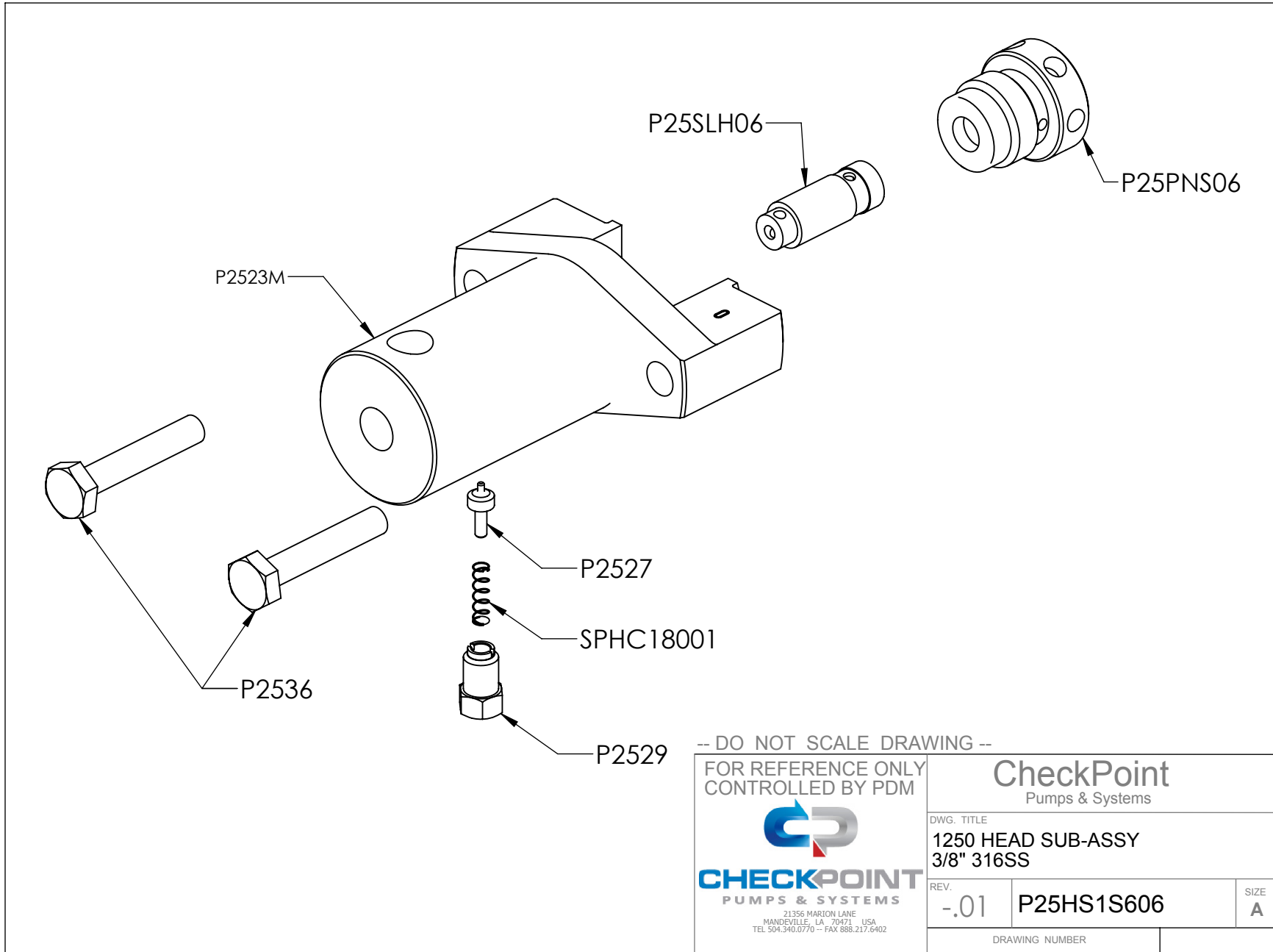
SIZE  
A

DRAWING NUMBER

PART NUMBER	DESCRIPTION	QTY.
SOLR0050-16	CENTER POST W/SOCKETS FOR ENTRY SOLAR STAND	1
SOLR0039-16	SOLAR STAND LEG WITH FOOT	3
SOLR0012-5	SOLAR PANEL MOUNT CROSSBAR	1
SOLR0013-5	POLE TOP COUPLER - SOLAR ENTRY UNIT	1


-- DO NOT SCALE DRAWING --

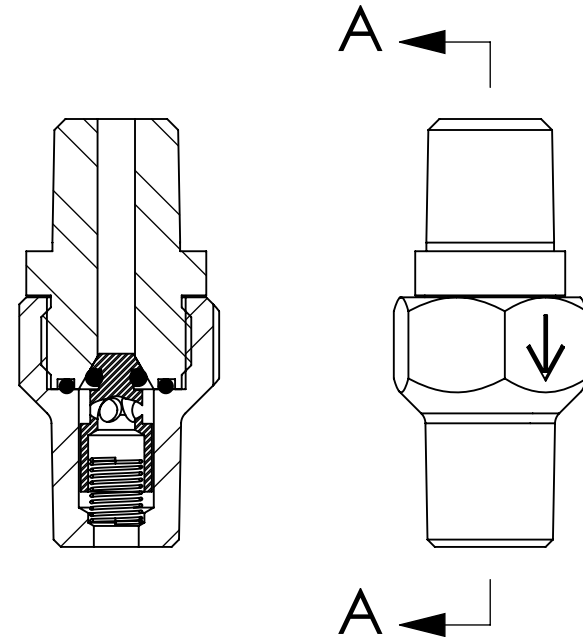
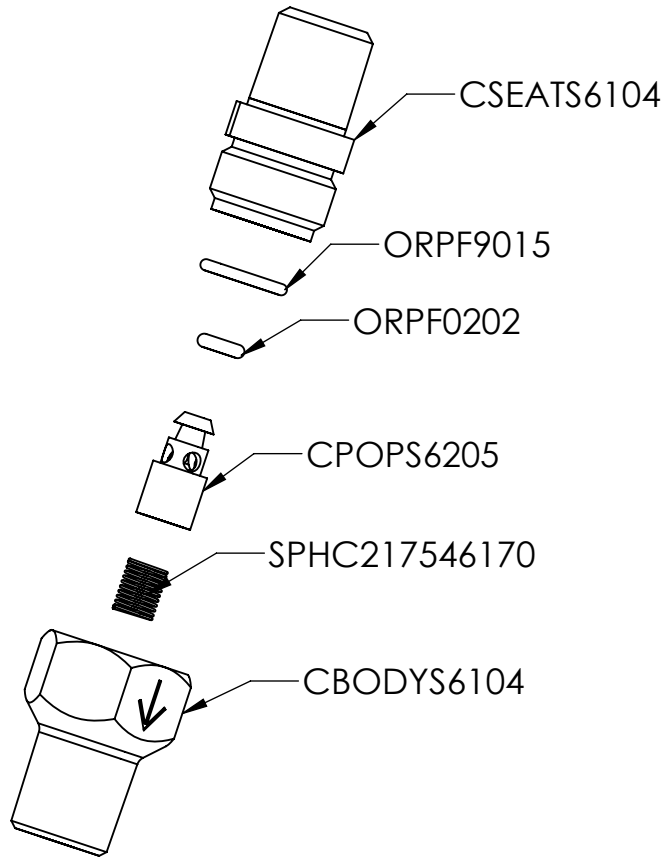
FOR REFERENCE ONLY CONTROLLED BY PDM		 <p><b>CheckPoint</b> Pumps &amp; Systems</p>	
 <p><b>CHECKPOINT</b> PUMPS &amp; SYSTEMS</p> <p>21356 MARION LANE MANDERVILLE, LA 70471 USA TEL 504.340.0770 -- FAX 888.217.6402</p>		DWG. TITLE <b>SOLAR SUPPORT FRAME</b>	
REV.	-01	SLF1TRIS02	SIZE A
DRAWING NUMBER			



PART NUMBER	DESCRIPTION	QTY.
P2523M	1 PIECE INJECTION HEAD MACHINED - 1250	1
P2527	BLEED POPPET - 1250 - 316SS	1
P2529	BLEED SCREW	1
P2536	HH Bolt - 5/16 - 18 x 1.75" Bolt 1250 316SS	2
SPHC18001	SPRING - 1250-1500 BLEED	1
P25PNS06	PACKING NUT - 3/8"	1
P25SLS06	SLEEVE - 3/8" - 1250 - 316SS	1

-- DO NOT SCALE DRAWING --

FOR REFERENCE ONLY CONTROLLED BY PDM		<b>CheckPoint</b> Pumps & Systems	
 CHECKPOINT PUMPS & SYSTEMS <small>21356 MARION LANE MANDEVILLE, LA 70471 USA TEL 504.340.0770 -- FAX 888.217.6402</small>		DWG. TITLE <b>1250 HEAD SUB-ASSY 3/8" 316SS</b>	
		REV. <b>-.01</b>	<b>P25HS1S606</b>
DRAWING NUMBER			



SECTION A-A

Call your CheckPoint representative about pre-assembled rebuild kits.  
+1 (504) 340-0770  
Check Valve Rebuild Kits - KFM04S6Q201

-- DO NOT SCALE DRAWING --

FOR REFERENCE ONLY  
CONTROLLED BY PDM



**CheckPoint**  
Pumps & Systems

DWG. TITLE  
ASSEMBLY - 1/4"  
FAILSAFE - CHECK

REV. -01 CFM04S6Q201


SIZE  
A

DRAWING NUMBER

PART NUMBER	DESCRIPTION	QTY.
CSEATS6104	CHECK SEAT - SUCT	1
CBODYS6104	CHECK BODY - SUCT	1
CPOPS6205	POPPET - CHECK	1
SPHC217546170	SPRING, COMP, Ø.156 x 1.6	1
ORPF0202	O-RING	1
ORPF9015	O-RING	1

Call your CheckPoint representative about pre-assembled rebuild kits.  
+1 (504) 340-0770  
\*Check Valve Rebuild Kit - KFM04S6Q201 - Contains both o-rings and springs

-- DO NOT SCALE DRAWING --

FOR REFERENCE ONLY CONTROLLED BY PDM		<b>CheckPoint</b> Pumps & Systems	
 <p><b>CHECKPOINT</b> PUMPS &amp; SYSTEMS 21356 MARION LANE MANDERVILLE LA 70471 USA TEL 504.340.0770 -- FAX 888.217.6402</p>		DWG. TITLE <b>ASSEMBLY - 1/4" FAILSAFE - CHECK</b>	
		REV. -01	CFM04S6Q201
DRAWING NUMBER			