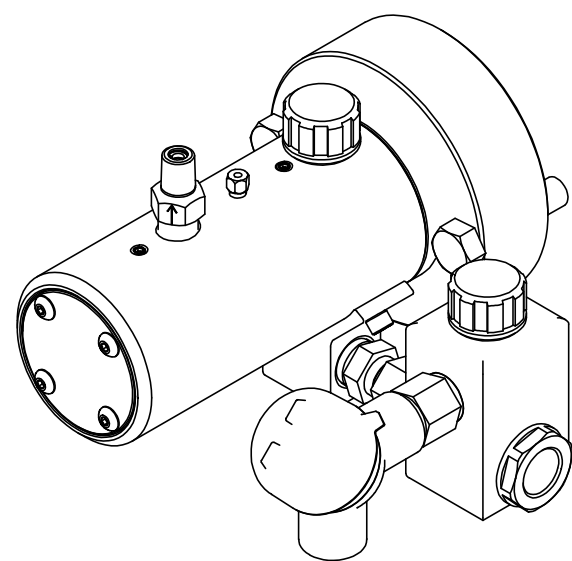
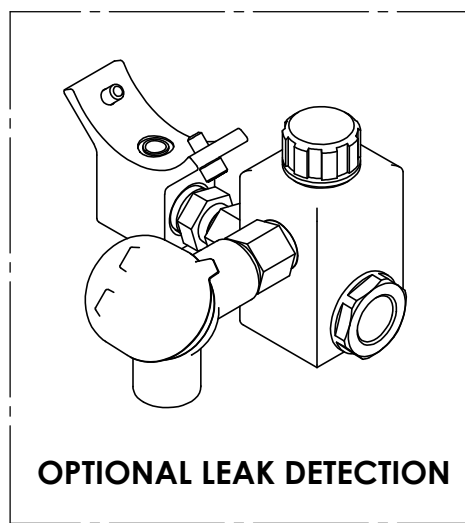
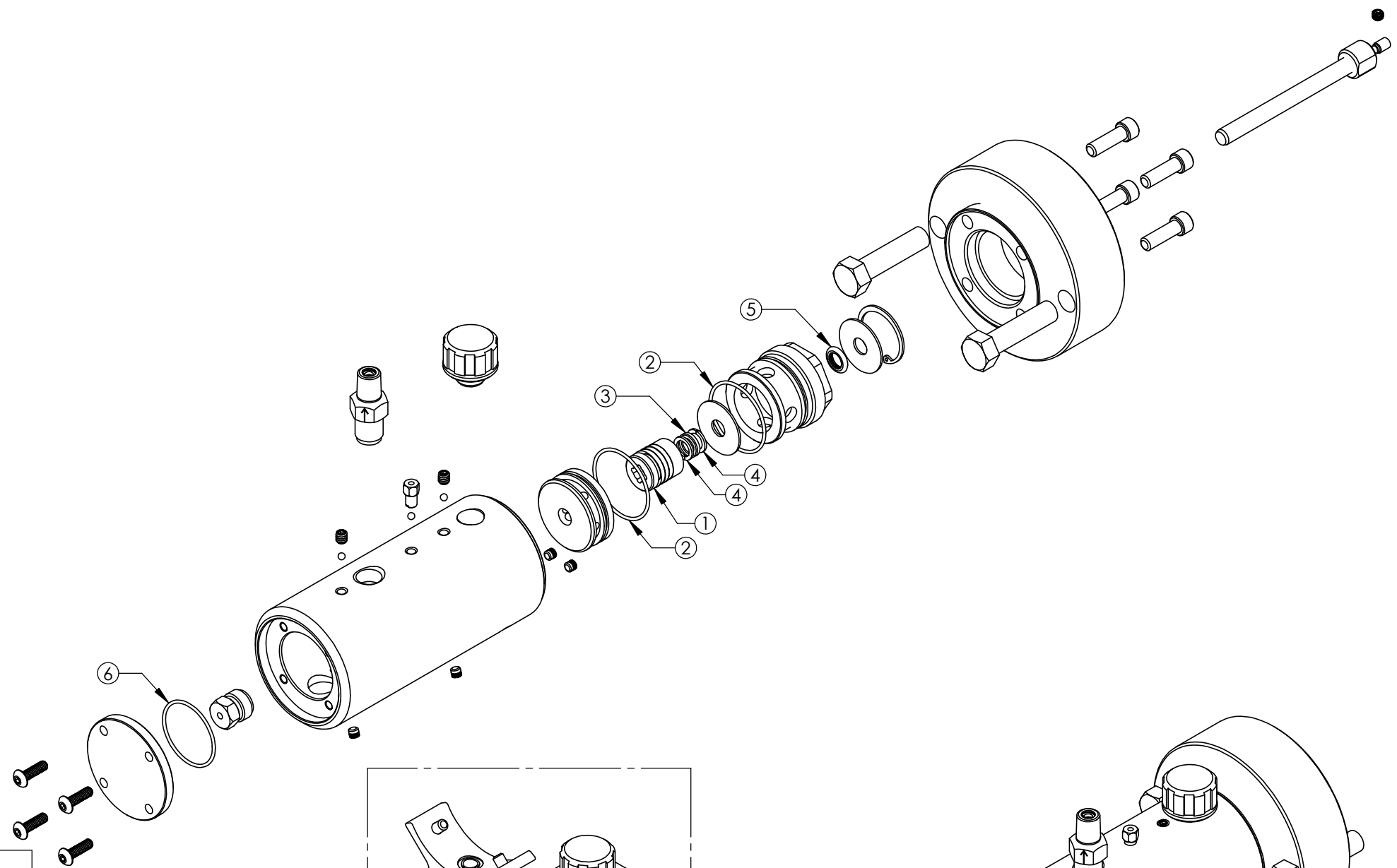


PLUNGER SEAL KIT

ITEM NO.	DESCRIPTION	QTY.
1	SEAL	1
2	O-RING	2
3	QUAD RING	1
4	O RING BACKUP	2
5	SCRAPER SEAL	1
6	O-RING	1



PLUNGER SEAL KIT

PLGR Ø	SEAL MATERIAL	KIT #	DESCRIPTION
3/8	FFKM	KLCS06F087098	3/8 IN - FFKM/PEEK/CTFM SEAL
3/8	FKM	KLCS06Q087098	3/8 IN - FKM/PEEK/CTFM SEAL
3/8	HNBR	KLCS06H087098	3/8 IN - HNBR/PEEK/CTFM SEAL
1/2	FFKM	KLCS08F100098	1/2 IN - FFKM/PEEK/CTFM SEAL
1/2	FKM	KLCS08Q100098	1/2 IN - FKM/PEEK/CTFM SEAL
1/2	HNBR	KLCS08H100098	1/2 IN - HNBR/PEEK/CTFM SEAL
3/4	FFKM	KLCS12F125098	3/4 IN - FFKM/PEEK/CTFM SEAL
3/4	FKM	KLCS12Q125098	3/4 IN - FKM/PEEK/CTFM SEAL
3/4	HNBR	KLCS12H125098	3/4 IN - HNBR/PEEK/CTFM SEAL
1	FFKM	KLCS16F150118	1 IN - FFKM/PEEK/CTFM SEAL
1	FKM	KLCS16Q150118	1 IN - FKM/PEEK/CTFM SEAL
1	HNBR	KLCS16H150118	1 IN - HNBR/PEEK/CTFM SEAL

PROPRIETARY AND CONFIDENTIAL
 THE INFORMATION CONTAINED HEREIN IS PROPRIETARY TO CHECKPOINT SYSTEMS AND SHALL NOT BE REPRODUCED OR DISCLOSED IN WHOLE OR IN PART OR USED FOR ANY PURPOSE EXCEPT WHEN SUCH USER POSSESSES DIRECT WRITTEN AUTHORIZATION FROM CHECKPOINT SYSTEMS

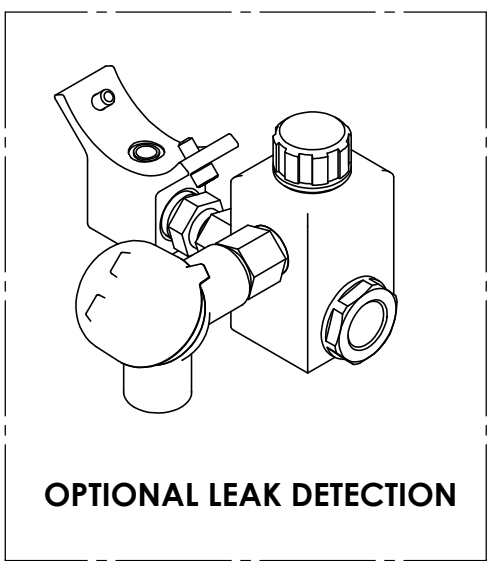
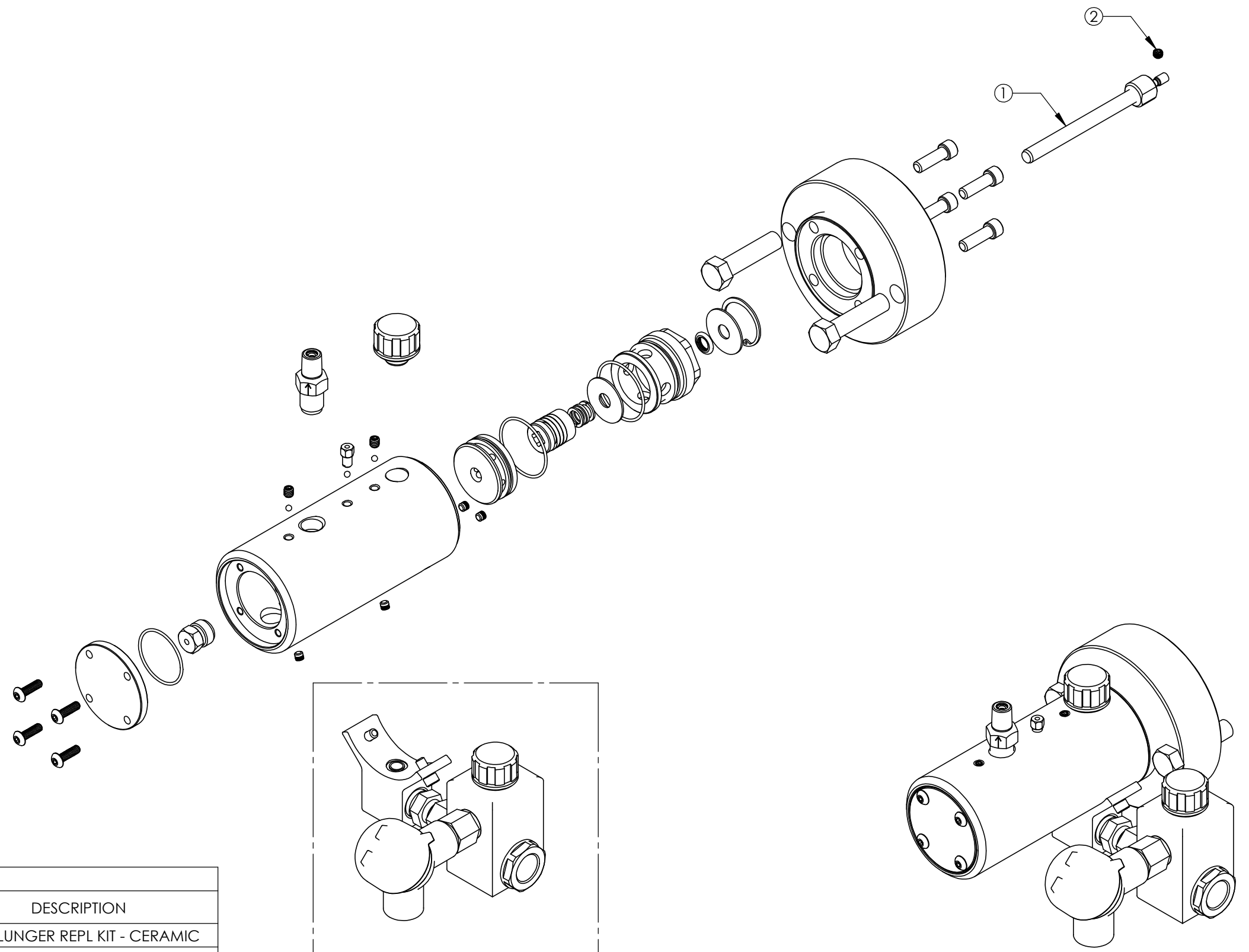
-- DO NOT SCALE DRAWING --

DOC EFF - 10/31/2022		
	DWG. TITLE KITS LEAKLESS WET END	
REV 00	MKT-LL-WE-KITS	SIZE B
DRAWING NUMBER		SHEET 1 OF 4

8 7 6 5 4 3 2 1

PLUNGER KIT

ITEM NO.	DESCRIPTION	QTY.
1	SET SCREW	1
2	PLUNGER	1



OPTIONAL LEAK DETECTION

PLUNGER KIT			
PLGR Ø	PLUNGER MATERIAL	KIT #	DESCRIPTION
3/8	CERAMIC	KLLPLRCU06	3/8 IN PLUNGER REPL KIT - CERAMIC
1/2	CERAMIC	KLLPLRCU08	1/2 IN PLUNGER REPL KIT - CERAMIC
3/4	CERAMIC	KLLPLRCU12	3/4 IN PLUNGER REPL KIT - CERAMIC
1	CERAMIC	KLLPLRCU16	1 IN PLUNGER REPL KIT - CERAMIC

DOC EFF - 10/31/2022			
		DWG. TITLE KITS LEAKLESS WET END	
REV	00	MKT-LL-WE-KITS	SIZE B
DRAWING NUMBER		SHEET 2 OF 4	

PROPRIETARY AND CONFIDENTIAL
 THE INFORMATION CONTAINED HEREIN IS PROPRIETARY TO CHECKPOINT SYSTEMS AND SHALL NOT BE REPRODUCED OR DISCLOSED IN WHOLE OR IN PART OR USED FOR ANY PUPOSE EXCEPT WHEN SUCH USER POSSESSES DIRECT WRITTEN AUTHORIZATION FROM CHECKPOINT SYSTEMS

-- DO NOT SCALE DRAWING --

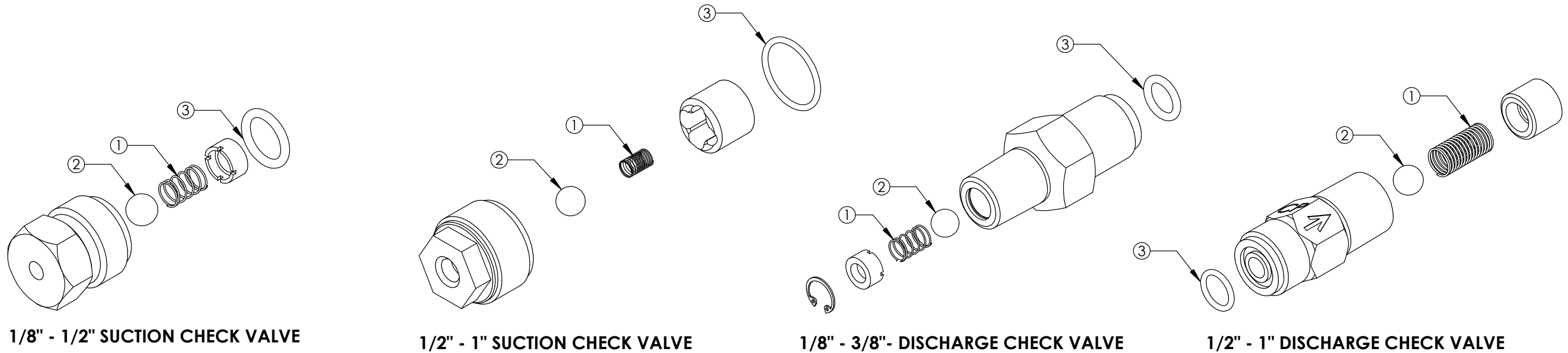
D
C
B
A

D
C
B
A

6 5 4 3 2 1

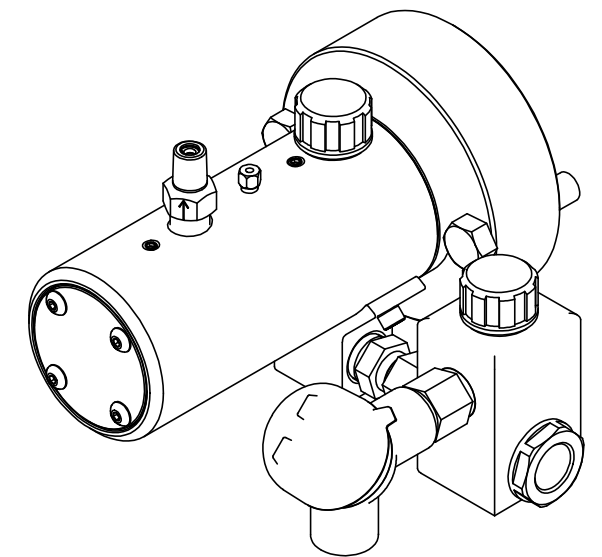
CHECK REBUILD KITS:

ITEM NO.	DESCRIPTION	QTY.
1	SPRING	1
2	BALL	1
3	O RING	1



CHECK VALVE REBUILD KIT (1 KIT REQUIRED PER CHECK VALVE)

PLGR ϕ	SEAL MATERIAL	KIT #	DESCRIPTION
1/8" - 3/8"	FFKM	KLLSC0206F	SUCTION - FFKM O-RINGS
1/8" - 3/8"	FKM	KLLSC0206Q	SUCTION - FKM O-RINGS
1/8" - 3/8"	HNBR	KLLSC0206H	SUCTION - HNBR O-RINGS
1/8" - 3/8"	FFKM	KLLDC0206F	DISCHARGE - FFKM O-RINGS
1/8" - 3/8"	FKM	KLLDC0206Q	DISCHARGE - FKM O-RINGS
1/8" - 3/8"	HNBR	KLLDC0206H	DISCHARGE - HNBR O-RINGS
1/2" - 1"	FFKM	KLLSC0816F	SUCTION - FFKM O-RINGS
1/2" - 1"	FKM	KLLSC0816Q	SUCTION - FKM O-RINGS
1/2" - 1"	HNBR	KLLSC0816H	SUCTION - HNBR O-RINGS
1/2" - 1"	FFKM	KLLDC0816F	DISCHARGE - FFKM O-RINGS
1/2" - 1"	FKM	KLLDC0816Q	DISCHARGE - FKM O-RINGS
1/2" - 1"	HNBR	KLLDC0816H	DISCHARGE - HNBR O-RINGS



PROPRIETARY AND CONFIDENTIAL
 THE INFORMATION CONTAINED HEREIN IS PROPRIETARY TO CHECKPOINT SYSTEMS AND SHALL NOT BE REPRODUCED OR DISCLOSED IN WHOLE OR IN PART OR USED FOR ANY PURPOSE EXCEPT WHEN SUCH USER POSSESSES DIRECT WRITTEN AUTHORIZATION FROM CHECKPOINT SYSTEMS

-- DO NOT SCALE DRAWING --

DOC EFF - 10/31/2022			
		DWG. TITLE KITS LEAKLESS WET END	
REV 00	MKT-LL-WE-KITS	SIZE B	
DRAWING NUMBER		SHEET 3 OF 4	

D

D

C

C

B

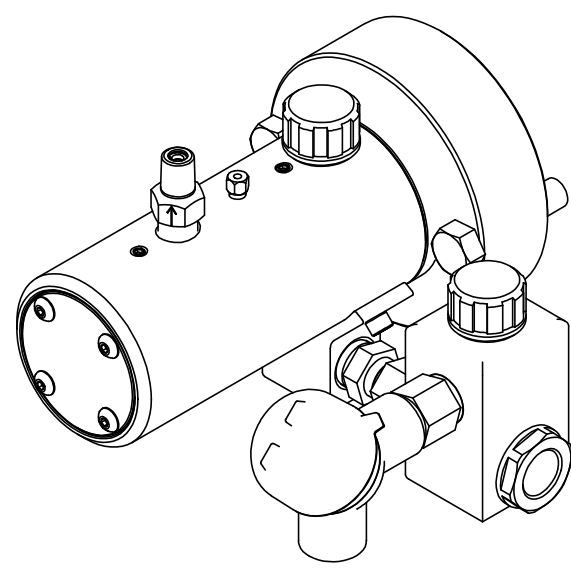
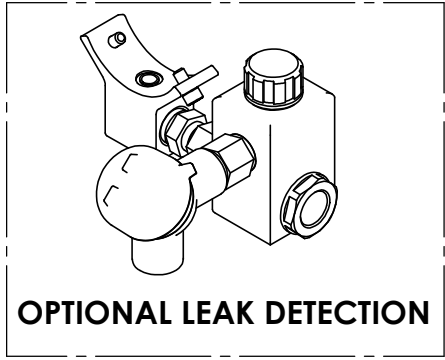
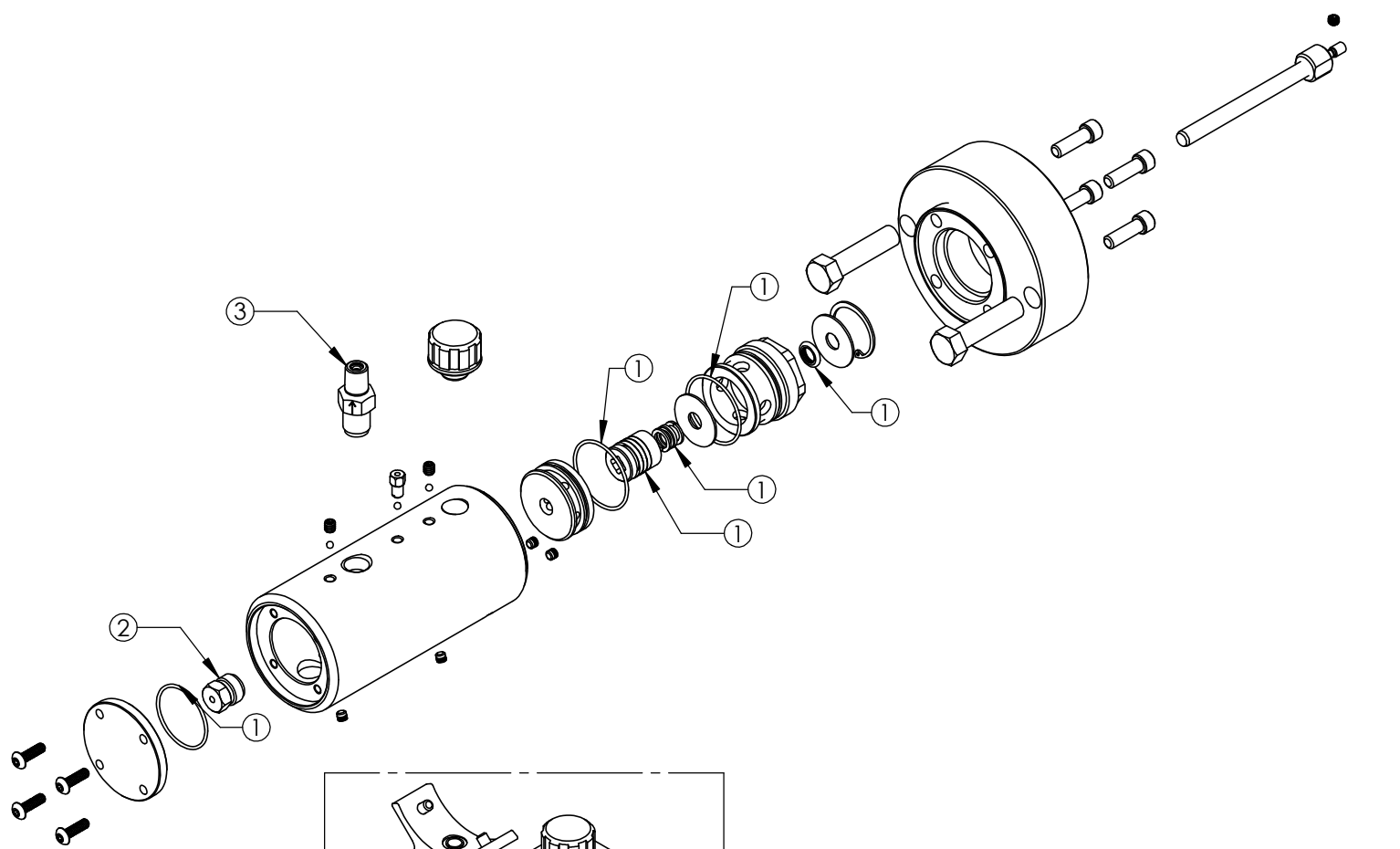
B

A

A

HEAD REBUILD KIT

ITEM NO	DESCRIPTION	QTY
1	PLUNGER SEAL KIT (SEE SHEET 1)	1
2	SUCTION CHECK VALVE KIT (SEE SHEET 3)	1
3	DISCHARGE CHECK VALVE KIT (SEE SHEET 3)	1



HEAD REBUILD KIT			
PLGR ϕ	SEAL MATERIAL	KIT #	DESCRIPTION
3/8	FFKM	KLLHRK06NF	HEAD REBUILD KIT - 3/8 IN - FFKM - INCLUDES: PLUNGER SEAL KIT, CHECK KITS
3/8	FKM	KLLHRK06NQ	HEAD REBUILD KIT - 3/8 IN - FKM - INCLUDES: PLUNGER SEAL KIT, CHECK KITS
3/8	HNBR	KLLHRK06NH	HEAD REBUILD KIT - 3/8 IN - HNBR - INCLUDES: PLUNGER SEAL KIT, CHECK KITS
1/2	FFKM	KLLHRK08NF	HEAD REBUILD KIT - 1/2 IN - FFKM - INCLUDES: PLUNGER SEAL KIT, CHECK KITS
1/2	FKM	KLLHRK08NQ	HEAD REBUILD KIT - 1/2 IN - FKM - INCLUDES: PLUNGER SEAL KIT, CHECK KITS
1/2	HNBR	KLLHRK08NH	HEAD REBUILD KIT - 1/2 IN - HNBR - INCLUDES: PLUNGER SEAL KIT, CHECK KITS
3/4	FFKM	KLLHRK12NF	HEAD REBUILD KIT - 3/4 IN - FFKM - INCLUDES: PLUNGER SEAL KIT, CHECK KITS
3/4	FKM	KLLHRK12NQ	HEAD REBUILD KIT - 3/4 IN - FKM - INCLUDES: PLUNGER SEAL KIT, CHECK KITS
3/4	HNBR	KLLHRK12NH	HEAD REBUILD KIT - 3/4 IN - HNBR - INCLUDES: PLUNGER SEAL KIT, CHECK KITS
1	FFKM	KLLHRK16NF	HEAD REBUILD KIT - 1 IN - FFKM - INCLUDES: PLUNGER SEAL KIT, CHECK KITS
1	FKM	KLLHRK16NQ	HEAD REBUILD KIT - 1 IN - FKM - INCLUDES: PLUNGER SEAL KIT, CHECK KITS
1	HNBR	KLLHRK16NH	HEAD REBUILD KIT - 1 IN - HNBR - INCLUDES: PLUNGER SEAL KIT, CHECK KITS

PROPRIETARY AND CONFIDENTIAL
 THE INFORMATION CONTAINED HEREIN IS PROPRIETARY TO CHECKPOINT SYSTEMS AND SHALL NOT BE REPRODUCED OR DISCLOSED IN WHOLE OR IN PART OR USED FOR ANY PURPOSE EXCEPT WHEN SUCH USER POSSESSES DIRECT WRITTEN AUTHORIZATION FROM CHECKPOINT SYSTEMS

-- DO NOT SCALE DRAWING --

DOC EFF - 10/31/2022			
		DWG. TITLE KITS LEAKLESS WET END	
REV 00	MKT-LL-WE-KITS	SIZE B	
DRAWING NUMBER		SHEET 4 OF 4	