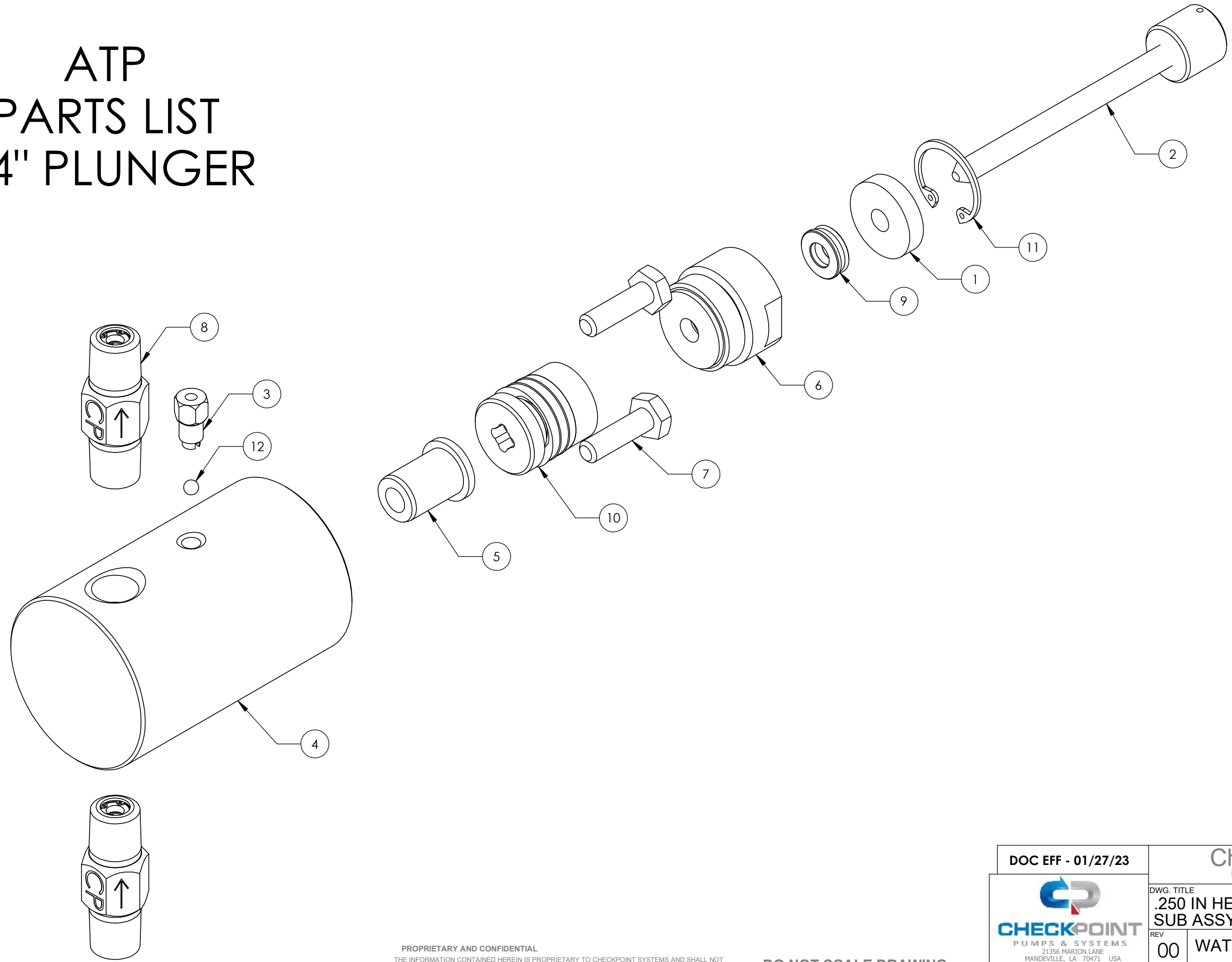


8 7 6 5 4 3 2 1

ATP PARTS LIST 1/4" PLUNGER



PROPRIETARY AND CONFIDENTIAL
THE INFORMATION CONTAINED HEREIN IS PROPRIETARY TO CHECKPOINT SYSTEMS AND SHALL NOT BE REPRODUCED OR DISCLOSED IN WHOLE OR IN PART OR USED FOR ANY PURPOSE EXCEPT WHEN SUCH USER POSSESSES DIRECT WRITTEN AUTHORIZATION FROM CHECKPOINT SYSTEMS

-- DO NOT SCALE DRAWING --

| | | | |
|--------------------|----|--|------------------|
| DOC EFF - 01/27/23 | | | |
| | | DWG. TITLE .250 IN HEAD SUB ASSY ATP | |
| REV | 00 | WATM-04-N-BY3-6 | SIZE B |
| DRAWING NUMBER | | SHEET 1 OF 2 | |

D
C
B
A

D
C
B
A

6 5 4 3 2 1

WATM304YNHBY3-6 - 1/4" CERAMIC HLC

| ITEM NO. | NUMBER | DESCRIPTION | QTY. |
|----------|--------------|------------------------|------|
| 1 | ATP0202-01 | BUSHING | 1 |
| 2 | ATP0222-01 | PLUNGER ASSY. .250 | 1 |
| 3 | ATP0300-01 | BLEED SCREW | 1 |
| 4 | ATP0340-02 | INJECTION HEAD | 1 |
| 5 | ATP0350-01 | SLEEVE | 1 |
| 6 | ATP0420-03 | GLAND NUT | 1 |
| 7 | HHBS6042014 | BOLT | 2 |
| 8 | CFM04S6-B00 | BALL CHECK - ONE PIECE | 2 |
| 9 | SELWI-VI0403 | WIPER | 1 |
| 10 | NCS04H087098 | SEAL | 1 |
| 11 | RRIST-0103 | RETAINING RING | 1 |
| 12 | BB1CN02.5 | CERAMIC BALL | 1 |

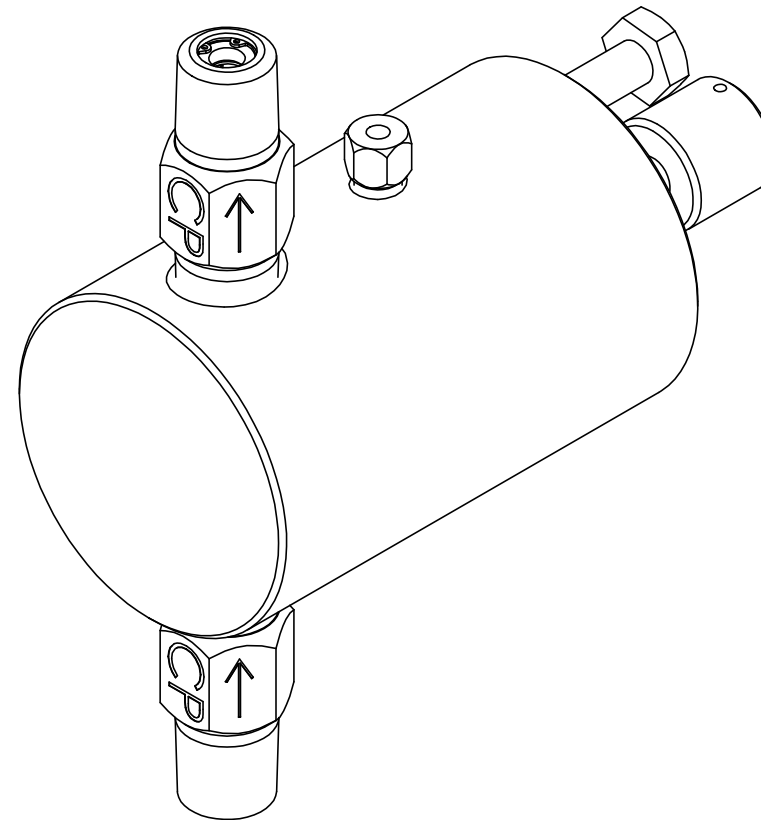
WATM304YNFBY3-6 - 1/4" CERAMIC FFKM

| ITEM NO. | NUMBER | DESCRIPTION | QTY. |
|----------|--------------|------------------------|------|
| 1 | ATP0202-01 | BUSHING | 1 |
| 2 | ATP0222-01 | PLUNGER ASSY. .250 | 1 |
| 3 | ATP0300-01 | BLEED SCREW | 1 |
| 4 | ATP0340-02 | INJECTION HEAD | 1 |
| 5 | ATP0350-01 | SLEEVE | 1 |
| 6 | ATP0420-03 | GLAND NUT | 1 |
| 7 | HHBS6042014 | BOLT | 2 |
| 8 | CFM04S6-B00 | BALL CHECK - ONE PIECE | 2 |
| 9 | SELWI-VI0403 | WIPER | 1 |
| 10 | NCS04F087098 | SEAL | 1 |
| 11 | RRIST-0103 | RETAINING RING | 1 |
| 12 | BB1CN02.5 | CERAMIC BALL | 1 |

WATM304YNQBY3-6 - 1/4" CERAMIC FKM

| ITEM NO. | NUMBER | DESCRIPTION | QTY. |
|----------|--------------|------------------------|------|
| 1 | ATP0202-01 | BUSHING | 1 |
| 2 | ATP0222-01 | PLUNGER ASSY. .250 | 1 |
| 3 | ATP0300-01 | BLEED SCREW | 1 |
| 4 | ATP0340-02 | INJECTION HEAD | 1 |
| 5 | ATP0350-01 | SLEEVE | 1 |
| 6 | ATP0420-03 | GLAND NUT | 1 |
| 7 | HHBS6042014 | BOLT | 2 |
| 8 | CFM04S6-B00 | BALL CHECK - ONE PIECE | 2 |
| 9 | SELWI-VI0403 | WIPER | 1 |
| 10 | NCS04Q087098 | PACKING | 1 |
| 11 | RRIST-0103 | RETAINING RING | 1 |
| 12 | BB1CN02.5 | CERAMIC BALL | 1 |

ATP PARTS LIST 1/4" PLUNGER

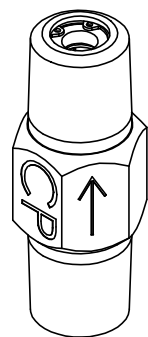
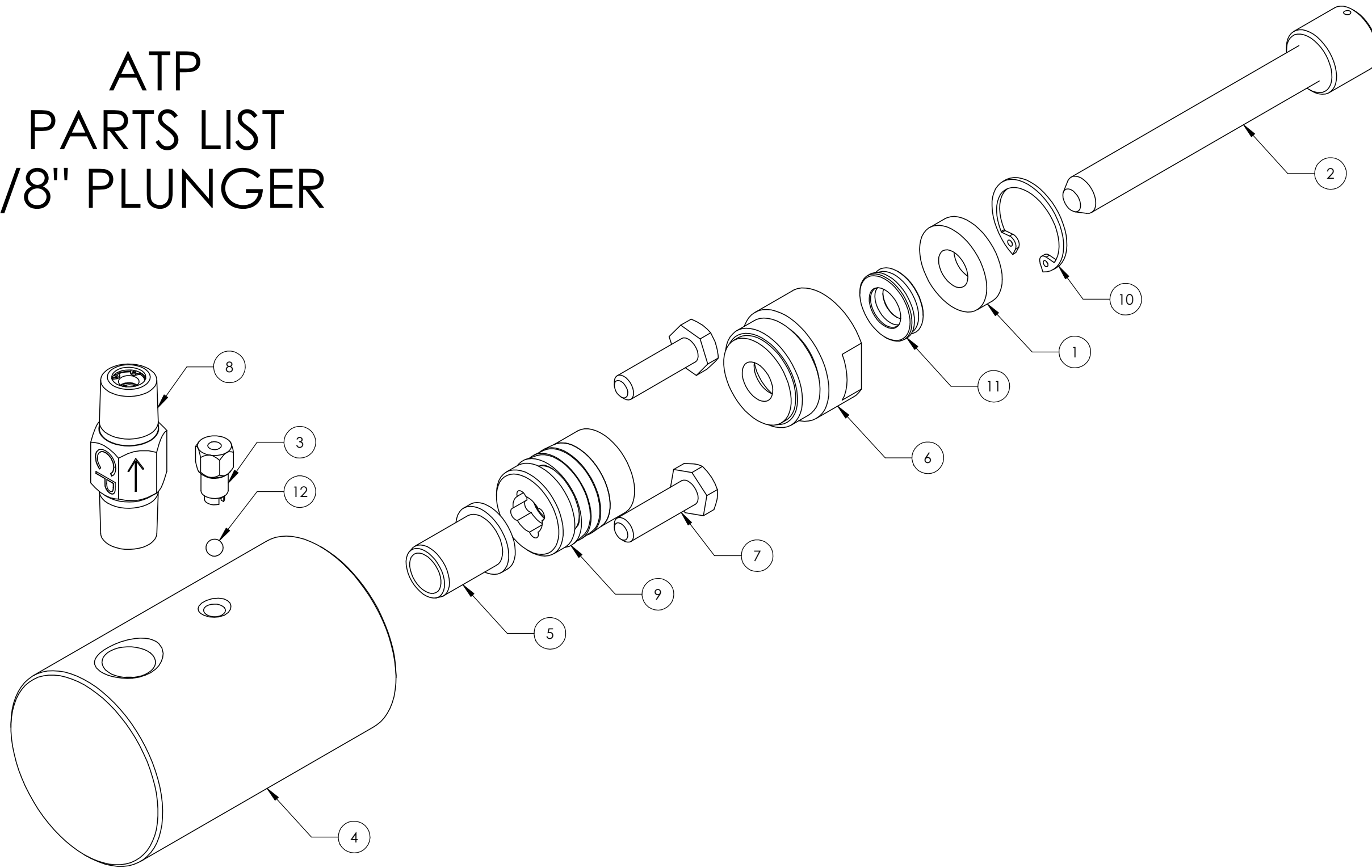


PROPRIETARY AND CONFIDENTIAL
THE INFORMATION CONTAINED HEREIN IS PROPRIETARY TO CHECKPOINT SYSTEMS AND SHALL NOT BE REPRODUCED OR DISCLOSED IN WHOLE OR IN PART OR USED FOR ANY PURPOSE EXCEPT WHEN SUCH USER POSSESSES DIRECT WRITTEN AUTHORIZATION FROM CHECKPOINT SYSTEMS

-- DO NOT SCALE DRAWING --

| | | | |
|--------------------|-----------------|---|--|
| DOC EFF - 01/27/23 | | | |
| | | DWG. TITLE .250 IN HEAD SUB ASSY ATP | |
| REV 00 | WATM-04-N-BY3-6 | SIZE B | |
| DRAWING NUMBER | | SHEET 2 OF 2 | |

ATP PARTS LIST 3/8" PLUNGER



PROPRIETARY AND CONFIDENTIAL
THE INFORMATION CONTAINED HEREIN IS PROPRIETARY TO CHECKPOINT SYSTEMS AND SHALL NOT BE REPRODUCED OR DISCLOSED IN WHOLE OR IN PART OR USED FOR ANY PURPOSE EXCEPT WHEN SUCH USER POSSESSES DIRECT WRITTEN AUTHORIZATION FROM CHECKPOINT SYSTEMS

-- DO NOT SCALE DRAWING --

| | | | |
|--------------------|----|--|-----------|
| DOC EFF - 01/27/23 | | | |
| | | DWG. TITLE .375 IN HEAD SUB ASSY ATP | |
| REV | 00 | WATM-06-N-BY3-6 | SIZE B |
| DRAWING NUMBER | | SHEET 1 OF 2 | |

WATM306YNHBY3-6 - 3/8" CERAMIC HLC

| ITEM NO. | NUMBER | DESCRIPTION | QTY. |
|----------|--------------|------------------------|------|
| 1 | ATP0203-01 | BUSHING | 1 |
| 2 | ATP0232-01 | PLUNGER ASSY - .375in | 1 |
| 3 | ATP0300-01 | BLEED SCREW | 1 |
| 4 | ATP0340-02 | INJECTION HEAD | 1 |
| 5 | ATP0360-01 | SLEEVE | 1 |
| 6 | ATP0430-03 | GLAND NUT | 1 |
| 7 | HHBS6042014 | BOLT | 2 |
| 8 | CFM04S6-B00 | BALL CHECK - ONE PIECE | 2 |
| 9 | NCS06H087098 | SEAL | 1 |
| 10 | RRIST-0103 | RETAINING RING | 1 |
| 11 | SELWI-VI0603 | WIPER | 1 |
| 12 | BB1CN02.5 | CERAMIC BALL | 1 |

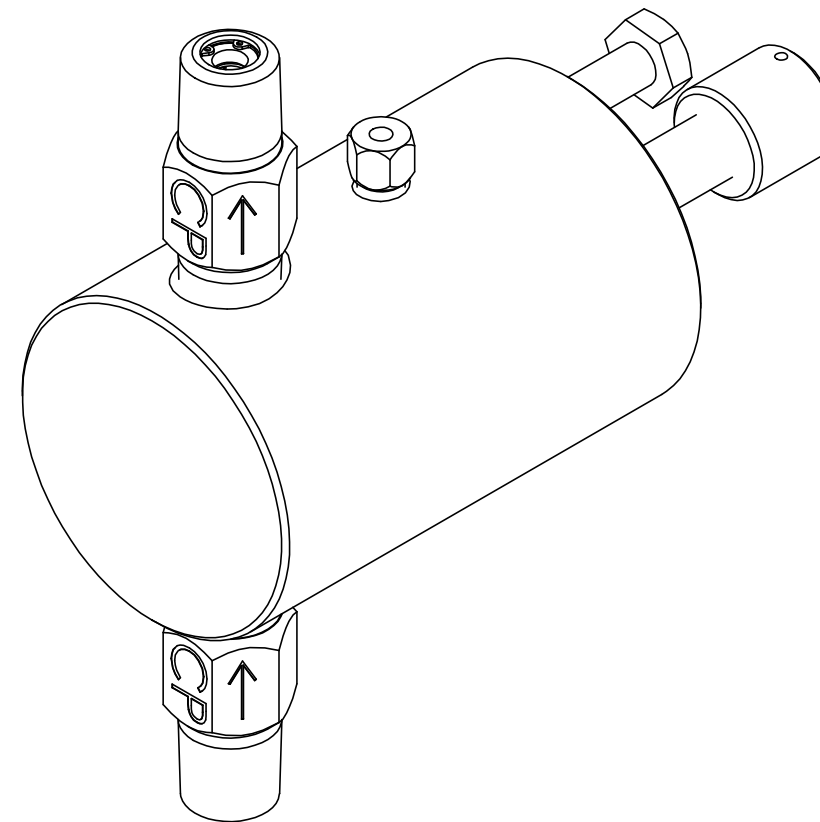
WATM306YNFBY3-6 - 3/8" CERAMIC FFKM

| ITEM NO. | NUMBER | DESCRIPTION | QTY. |
|----------|--------------|------------------------|------|
| 1 | ATP0203-01 | BUSHING | 1 |
| 2 | ATP0232-01 | PLUNGER ASSY - .375in | 1 |
| 3 | ATP0300-01 | BLEED SCREW | 1 |
| 4 | ATP0340-02 | INJECTION HEAD | 1 |
| 5 | ATP0360-01 | SLEEVE | 1 |
| 6 | ATP0430-03 | GLAND NUT | 1 |
| 7 | HHBS6042014 | BOLT | 2 |
| 8 | CFM04S6-B00 | BALL CHECK - ONE PIECE | 2 |
| 9 | NCS06F087098 | SEAL | 1 |
| 10 | RRIST-0103 | RETAINING RING | 1 |
| 11 | SELWI-VI0603 | WIPER | 1 |
| 12 | BB1CN02.5 | CERAMIC BALL | 1 |

WATM306YNQBY3-6 - 3/8" CERAMIC FKM

| ITEM NO. | NUMBER | DESCRIPTION | QTY. |
|----------|--------------|------------------------|------|
| 1 | ATP0203-01 | BUSHING | 1 |
| 2 | ATP0232-01 | PLUNGER ASSY - .375in | 1 |
| 3 | ATP0300-01 | BLEED SCREW | 1 |
| 4 | ATP0340-02 | INJECTION HEAD | 1 |
| 5 | ATP0360-01 | SLEEVE | 1 |
| 6 | ATP0430-03 | GLAND NUT | 1 |
| 7 | HHBS6042014 | BOLT | 2 |
| 8 | CFM04S6-B00 | BALL CHECK - ONE PIECE | 2 |
| 9 | NCS06Q087098 | PACKING | 1 |
| 10 | RRIST-0103 | RETAINING RING | 1 |
| 11 | SELWI-VI0603 | WIPER | 1 |
| 12 | BB1CN02.5 | CERAMIC BALL | 1 |

ATP PARTS LIST 3/8" PLUNGER



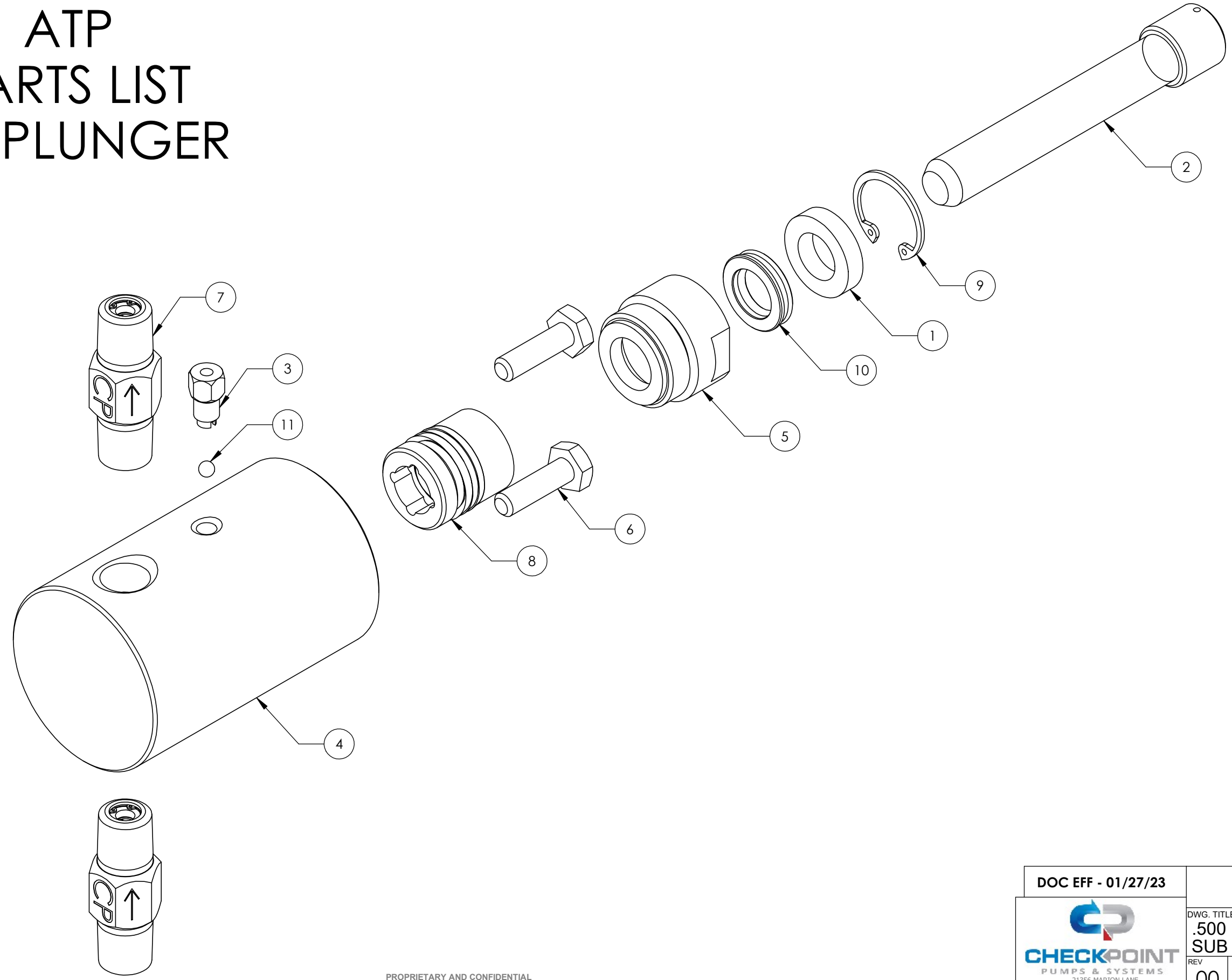
PROPRIETARY AND CONFIDENTIAL
THE INFORMATION CONTAINED HEREIN IS PROPRIETARY TO CHECKPOINT SYSTEMS AND SHALL NOT BE REPRODUCED OR DISCLOSED IN WHOLE OR IN PART OR USED FOR ANY PURPOSE EXCEPT WHEN SUCH USER POSSESSES DIRECT WRITTEN AUTHORIZATION FROM CHECKPOINT SYSTEMS

-- DO NOT SCALE DRAWING --

| | | | |
|--------------------|-----------------|---|--|
| DOC EFF - 01/27/23 | | | |
| | | DWG. TITLE .375 IN HEAD SUB ASSY ATP | |
| REV 00 | WATM-06-N-BY3-6 | SIZE B | |
| DRAWING NUMBER | | SHEET 2 OF 2 | |

8 7 6 5 4 3 2 1

ATP PARTS LIST 1/2" PLUNGER



D
C
B
A

D
C
B
A

PROPRIETARY AND CONFIDENTIAL
THE INFORMATION CONTAINED HEREIN IS PROPRIETARY TO CHECKPOINT SYSTEMS AND SHALL NOT BE REPRODUCED OR DISCLOSED IN WHOLE OR IN PART OR USED FOR ANY PURPOSE EXCEPT WHEN SUCH USER POSSESSES DIRECT WRITTEN AUTHORIZATION FROM CHECKPOINT SYSTEMS

-- DO NOT SCALE DRAWING --

| | | | |
|--------------------|----|------------------------------|------------------|
| DOC EFF - 01/27/23 | | | |
| DWG. TITLE | | .500 IN HEAD SUB ASSY ATP | |
| REV | 00 | WATM-08-N-BY3-6 | SIZE B |
| DRAWING NUMBER | | SHEET 1 OF 2 | |

WATM308YNHBY3-6 - 1/2" CERAMIC HLC

| ITEM NO. | NUMBER | DESCRIPTION | QTY. |
|----------|--------------|------------------------|------|
| 1 | ATP0204-01 | BUSHING | 1 |
| 2 | ATP0242-01 | PLUNGER ASSY. - .500in | 1 |
| 3 | ATP0300-01 | BLEED SCREW | 1 |
| 4 | ATP0340-02 | INJECTION HEAD | 1 |
| 5 | ATP0440-03 | GLAND NUT | 1 |
| 6 | HHBS6042014 | BOLT | 2 |
| 7 | CFM04S6-B00 | BALL CHECK - ONE PIECE | 2 |
| 8 | NCS08H087098 | SEAL | 1 |
| 9 | RRIST-0103 | RETAINING RING | 1 |
| 10 | SELWI-VI0803 | WIPER | 1 |
| 11 | BB1CN02.5 | CERAMIC BALL | 1 |

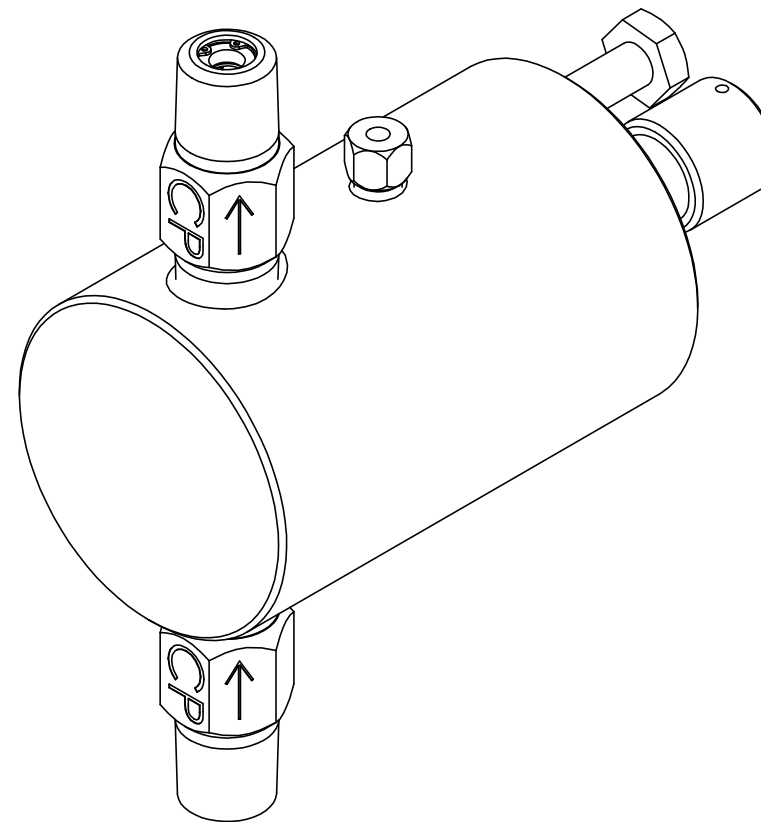
WATM308YNFBY3-6 - 1/2" CERAMIC FFKM

| ITEM NO. | NUMBER | DESCRIPTION | QTY. |
|----------|--------------|------------------------|------|
| 1 | ATP0204-01 | BUSHING | 1 |
| 2 | ATP0242-01 | PLUNGER ASSY. - .500in | 1 |
| 3 | ATP0300-01 | BLEED SCREW | 1 |
| 4 | ATP0340-02 | INJECTION HEAD | 1 |
| 5 | ATP0440-03 | GLAND NUT | 1 |
| 6 | HHBS6042014 | BOLT | 2 |
| 7 | CFM04S6-B00 | BALL CHECK - ONE PIECE | 2 |
| 8 | NCS08F087098 | SEAL | 1 |
| 9 | RRIST-0103 | RETAINING RING | 1 |
| 10 | SELWI-VI0803 | WIPER | 1 |
| 11 | BB1CN02.5 | CERAMIC BALL | 1 |

WATM308YNQBY3-6 - 1/2" CERAMIC FKM

| ITEM NO. | NUMBER | DESCRIPTION | QTY. |
|----------|--------------|------------------------|------|
| 1 | ATP0204-01 | BUSHING | 1 |
| 2 | ATP0242-01 | PLUNGER ASSY. - .500in | 1 |
| 3 | ATP0300-01 | BLEED SCREW | 1 |
| 4 | ATP0340-02 | INJECTION HEAD | 1 |
| 5 | ATP0440-03 | GLAND NUT | 1 |
| 6 | HHBS6042014 | BOLT | 2 |
| 7 | CFM04S6-B00 | BALL CHECK - ONE PIECE | 2 |
| 8 | NCS08Q087098 | PACKING | 1 |
| 9 | RRIST-0103 | RETAINING RING | 1 |
| 10 | SELWI-VI0803 | WIPER | 1 |
| 11 | BB1CN02.5 | CERAMIC BALL | 1 |

ATP PARTS LIST 1/2" PLUNGER



PROPRIETARY AND CONFIDENTIAL
THE INFORMATION CONTAINED HEREIN IS PROPRIETARY TO CHECKPOINT SYSTEMS AND SHALL NOT BE REPRODUCED OR DISCLOSED IN WHOLE OR IN PART OR USED FOR ANY PURPOSE EXCEPT WHEN SUCH USER POSSESSES DIRECT WRITTEN AUTHORIZATION FROM CHECKPOINT SYSTEMS

-- DO NOT SCALE DRAWING --

| | | | |
|--------------------|-----------------|--|--|
| DOC EFF - 01/27/23 | | | |
| | | DWG. TITLE .500 IN HEAD SUB ASSY ATP | |
| REV 00 | WATM-08-N-BY3-6 | SIZE B | |
| DRAWING NUMBER | | SHEET 2 OF 2 | |