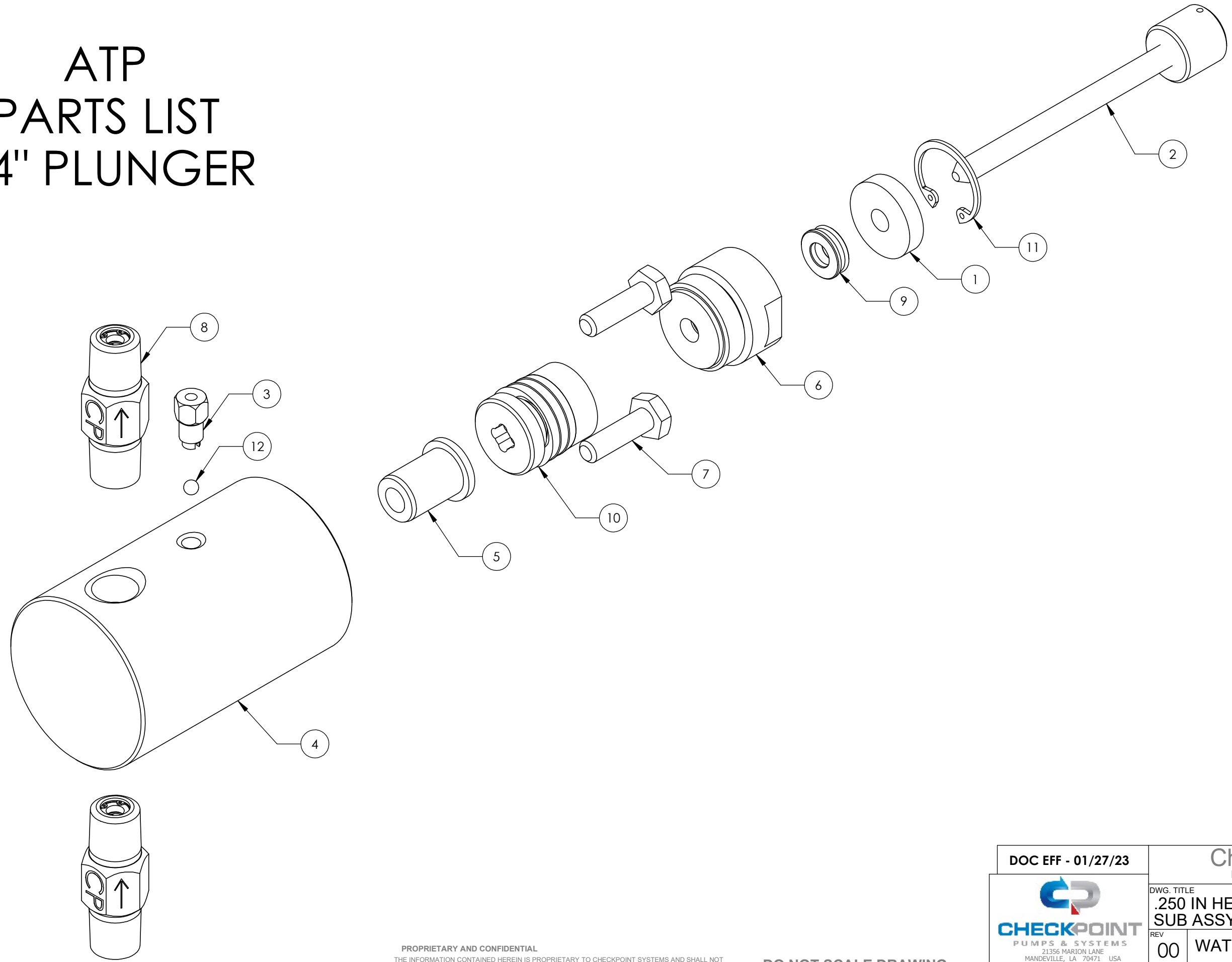


8 7 6 5 4 3 2 1

ATP PARTS LIST 1/4" PLUNGER




D
C
B
A

D
C
B
A

PROPRIETARY AND CONFIDENTIAL
THE INFORMATION CONTAINED HEREIN IS PROPRIETARY TO CHECKPOINT SYSTEMS AND SHALL NOT BE REPRODUCED OR DISCLOSED IN WHOLE OR IN PART OR USED FOR ANY PURPOSE EXCEPT WHEN SUCH USER POSSESSES DIRECT WRITTEN AUTHORIZATION FROM CHECKPOINT SYSTEMS

-- DO NOT SCALE DRAWING --

DOC EFF - 01/27/23		CheckPoint Pumps & Systems	
 CHECKPOINT PUMPS & SYSTEMS 21356 MARION LANE MANDEVILLE, LA 70471 USA TEL 504.340.0770 -- FAX 888.217.6402		DWG. TITLE .250 IN HEAD SUB ASSY ATP	
		REV 00	WATM-04-N-BY3-6
DRAWING NUMBER			SHEET 1 OF 2

WATM304YNHBY3-6 - 1/4" CERAMIC HLC

ITEM NO.	NUMBER	DESCRIPTION	QTY.
1	ATP0202-01	BUSHING	1
2	ATP0222-01	PLUNGER ASSY. .250	1
3	ATP0300-01	BLEED SCREW	1
4	ATP0340-02	INJECTION HEAD	1
5	ATP0350-01	SLEEVE	1
6	ATP0420-03	GLAND NUT	1
7	HHBS6042014	BOLT	2
8	CFM04S6-B00	BALL CHECK - ONE PIECE	2
9	SELWI-VI0403	WIPER	1
10	NCS04H087098	SEAL	1
11	RRIST-0103	RETAINING RING	1
12	BB1CN02.5	CERAMIC BALL	1

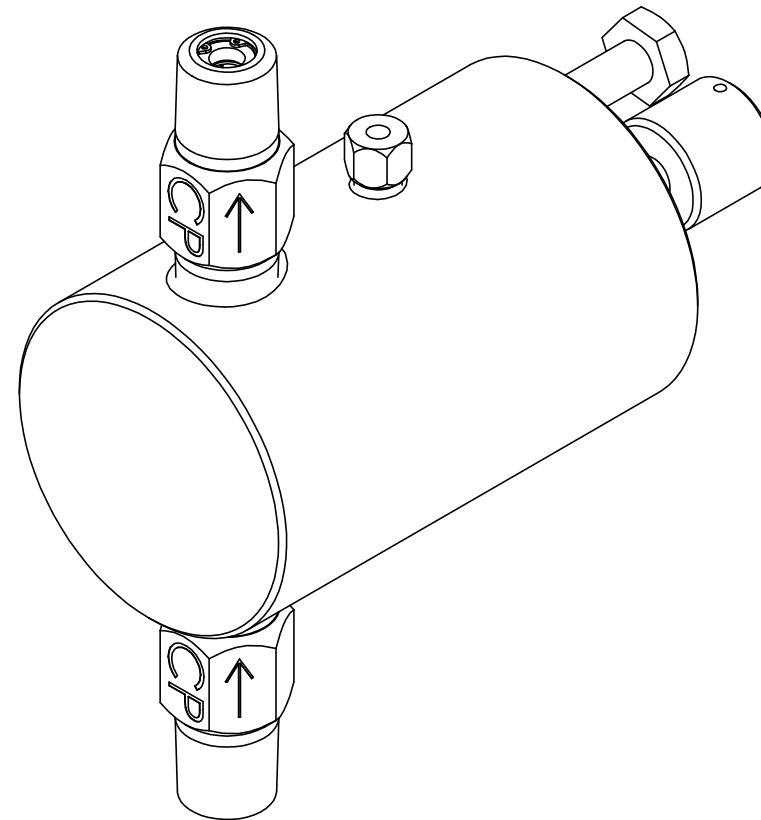
WATM304YNFBY3-6 - 1/4" CERAMIC FFKM

ITEM NO.	NUMBER	DESCRIPTION	QTY.
1	ATP0202-01	BUSHING	1
2	ATP0222-01	PLUNGER ASSY. .250	1
3	ATP0300-01	BLEED SCREW	1
4	ATP0340-02	INJECTION HEAD	1
5	ATP0350-01	SLEEVE	1
6	ATP0420-03	GLAND NUT	1
7	HHBS6042014	BOLT	2
8	CFM04S6-B00	BALL CHECK - ONE PIECE	2
9	SELWI-VI0403	WIPER	1
10	NCS04F087098	SEAL	1
11	RRIST-0103	RETAINING RING	1
12	BB1CN02.5	CERAMIC BALL	1

WATM304YNQBY3-6 - 1/4" CERAMIC FKM

ITEM NO.	NUMBER	DESCRIPTION	QTY.
1	ATP0202-01	BUSHING	1
2	ATP0222-01	PLUNGER ASSY. .250	1
3	ATP0300-01	BLEED SCREW	1
4	ATP0340-02	INJECTION HEAD	1
5	ATP0350-01	SLEEVE	1
6	ATP0420-03	GLAND NUT	1
7	HHBS6042014	BOLT	2
8	CFM04S6-B00	BALL CHECK - ONE PIECE	2
9	SELWI-VI0403	WIPER	1
10	NCS04Q087098	PACKING	1
11	RRIST-0103	RETAINING RING	1
12	BB1CN02.5	CERAMIC BALL	1

ATP PARTS LIST 1/4" PLUNGER

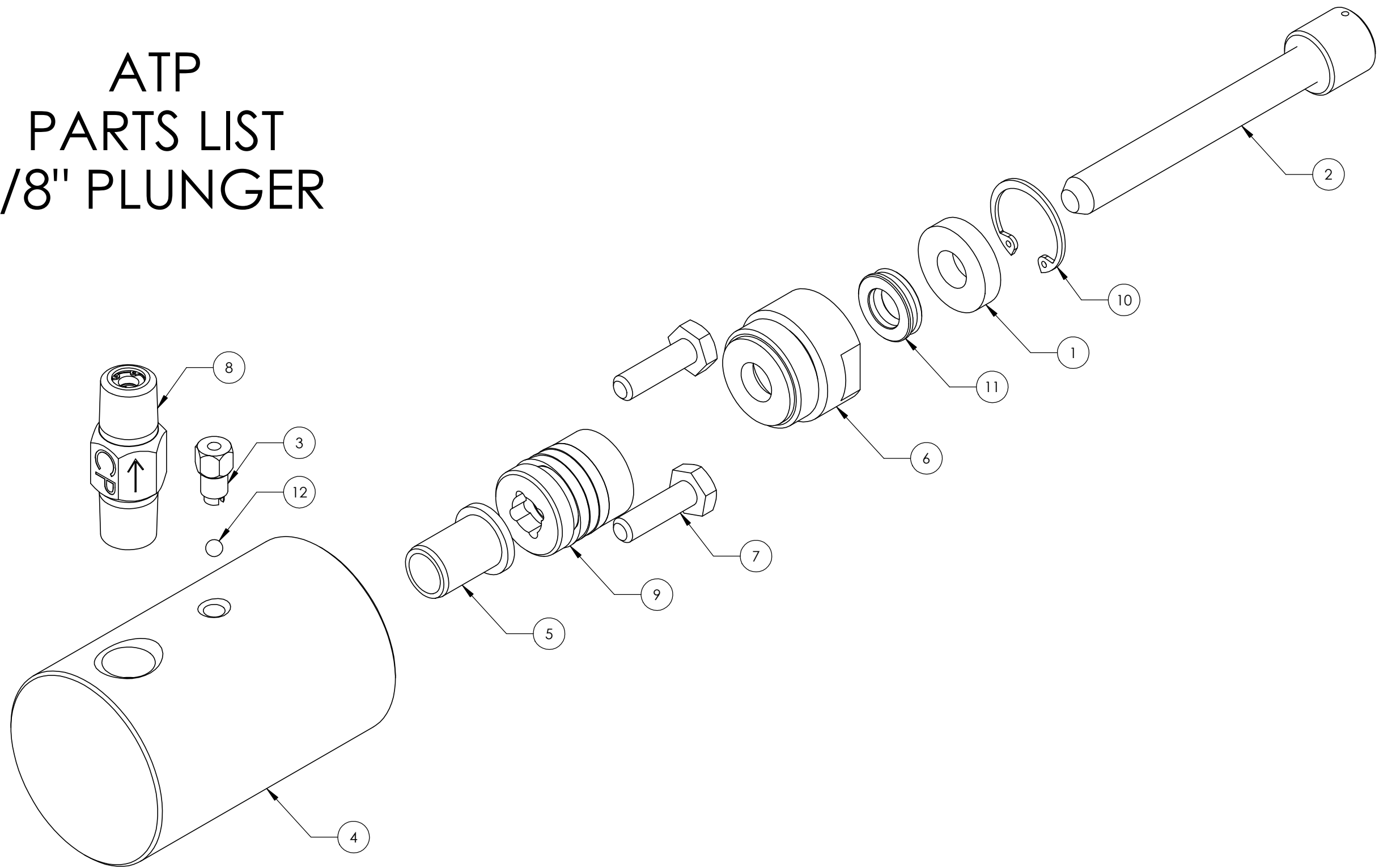


PROPRIETARY AND CONFIDENTIAL
THE INFORMATION CONTAINED HEREIN IS PROPRIETARY TO CHECKPOINT SYSTEMS AND SHALL NOT BE REPRODUCED OR DISCLOSED IN WHOLE OR IN PART OR USED FOR ANY PURPOSE EXCEPT WHEN SUCH USER POSSESSES DIRECT WRITTEN AUTHORIZATION FROM CHECKPOINT SYSTEMS

-- DO NOT SCALE DRAWING --

DOC EFF - 01/27/23			
		DWG. TITLE .250 IN HEAD SUB ASSY ATP	
REV 00	WATM-04-N-BY3-6	SIZE B	
DRAWING NUMBER		SHEET 2 OF 2	

ATP PARTS LIST 3/8" PLUNGER



PROPRIETARY AND CONFIDENTIAL
THE INFORMATION CONTAINED HEREIN IS PROPRIETARY TO CHECKPOINT SYSTEMS AND SHALL NOT BE REPRODUCED OR DISCLOSED IN WHOLE OR IN PART OR USED FOR ANY PURPOSE EXCEPT WHEN SUCH USER POSSESSES DIRECT WRITTEN AUTHORIZATION FROM CHECKPOINT SYSTEMS

-- DO NOT SCALE DRAWING --

DOC EFF - 01/27/23			
		DWG. TITLE .375 IN HEAD SUB ASSY ATP	
REV 00	WATM-06-N-BY3-6	SIZE B	
DRAWING NUMBER		SHEET 1 OF 2	

WATM306YNHBY3-6 - 3/8" CERAMIC HLC

ITEM NO.	NUMBER	DESCRIPTION	QTY.
1	ATP0203-01	BUSHING	1
2	ATP0232-01	PLUNGER ASSY - .375in	1
3	ATP0300-01	BLEED SCREW	1
4	ATP0340-02	INJECTION HEAD	1
5	ATP0360-01	SLEEVE	1
6	ATP0430-03	GLAND NUT	1
7	HHBS6042014	BOLT	2
8	CFM04S6-B00	BALL CHECK - ONE PIECE	2
9	NCS06H087098	SEAL	1
10	RRIST-0103	RETAINING RING	1
11	SELWI-VI0603	WIPER	1
12	BB1CN02.5	CERAMIC BALL	1

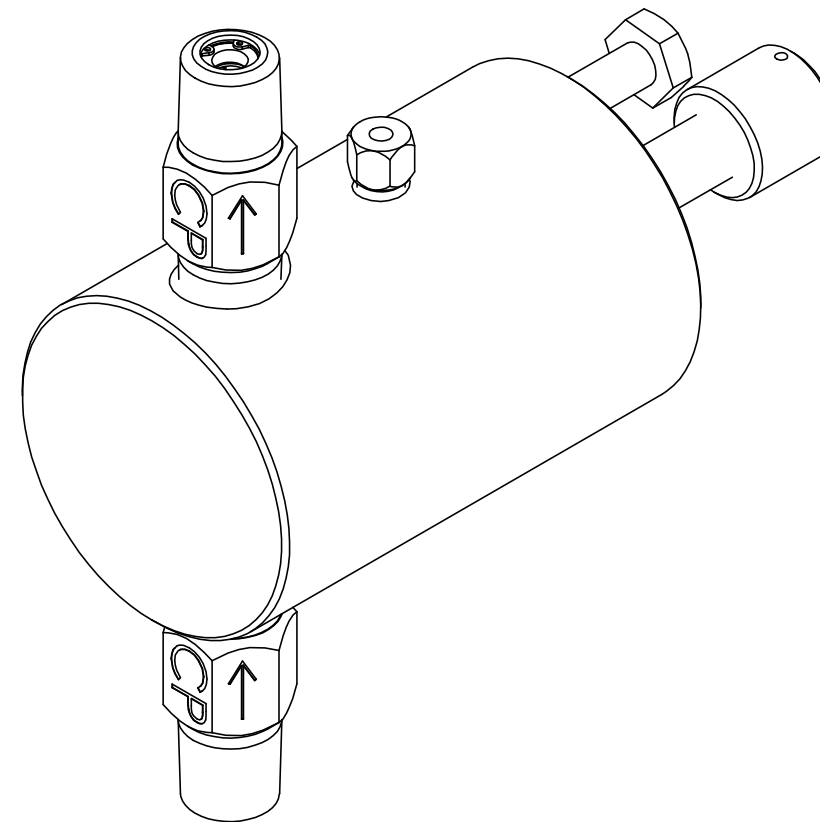
WATM306YNFBY3-6 - 3/8" CERAMIC FFKM

ITEM NO.	NUMBER	DESCRIPTION	QTY.
1	ATP0203-01	BUSHING	1
2	ATP0232-01	PLUNGER ASSY - .375in	1
3	ATP0300-01	BLEED SCREW	1
4	ATP0340-02	INJECTION HEAD	1
5	ATP0360-01	SLEEVE	1
6	ATP0430-03	GLAND NUT	1
7	HHBS6042014	BOLT	2
8	CFM04S6-B00	BALL CHECK - ONE PIECE	2
9	NCS06F087098	SEAL	1
10	RRIST-0103	RETAINING RING	1
11	SELWI-VI0603	WIPER	1
12	BB1CN02.5	CERAMIC BALL	1

WATM306YNQBY3-6 - 3/8" CERAMIC FKM

ITEM NO.	NUMBER	DESCRIPTION	QTY.
1	ATP0203-01	BUSHING	1
2	ATP0232-01	PLUNGER ASSY - .375in	1
3	ATP0300-01	BLEED SCREW	1
4	ATP0340-02	INJECTION HEAD	1
5	ATP0360-01	SLEEVE	1
6	ATP0430-03	GLAND NUT	1
7	HHBS6042014	BOLT	2
8	CFM04S6-B00	BALL CHECK - ONE PIECE	2
9	NCS06Q087098	PACKING	1
10	RRIST-0103	RETAINING RING	1
11	SELWI-VI0603	WIPER	1
12	BB1CN02.5	CERAMIC BALL	1

ATP PARTS LIST 3/8" PLUNGER



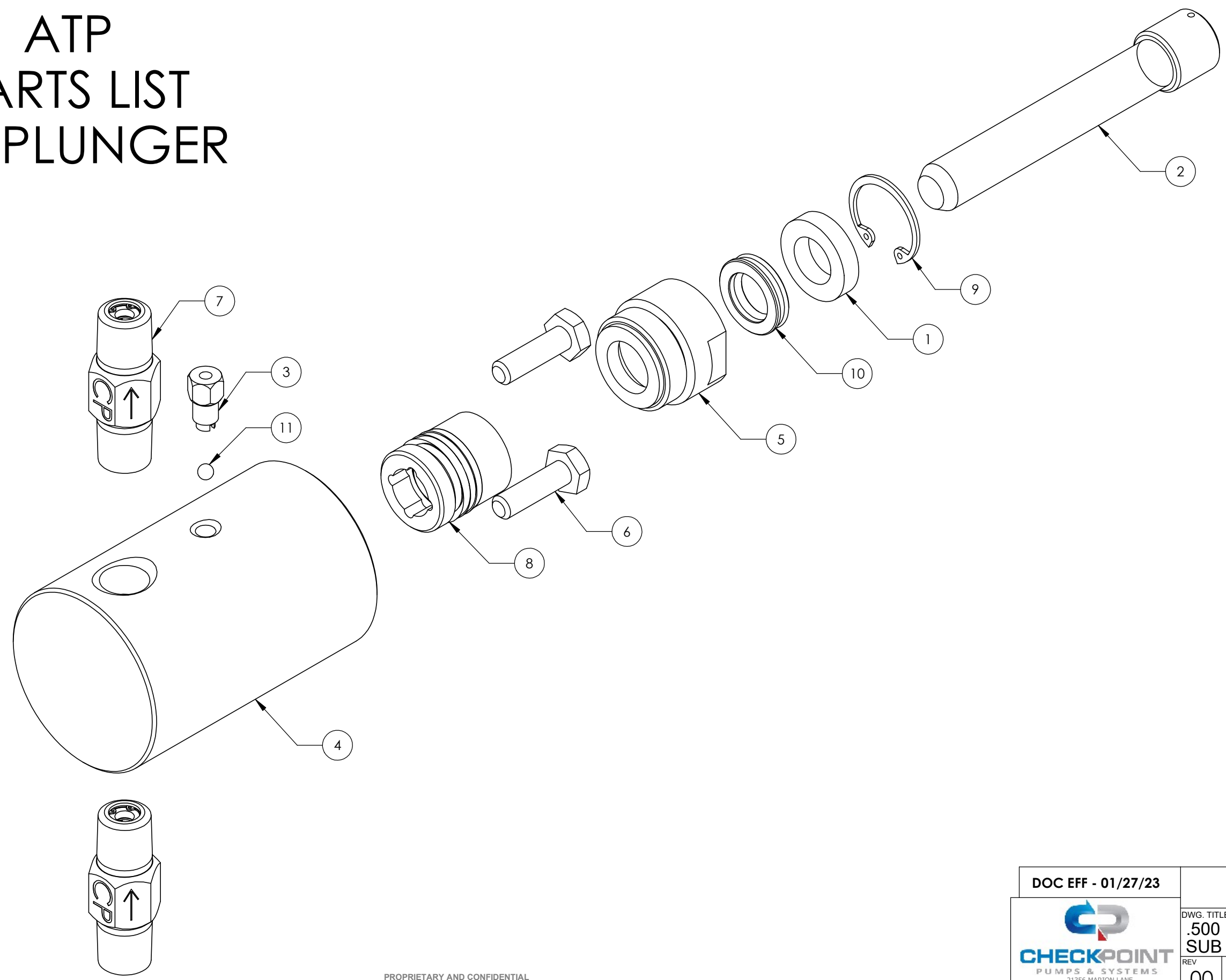
PROPRIETARY AND CONFIDENTIAL
THE INFORMATION CONTAINED HEREIN IS PROPRIETARY TO CHECKPOINT SYSTEMS AND SHALL NOT BE REPRODUCED OR DISCLOSED IN WHOLE OR IN PART OR USED FOR ANY PURPOSE EXCEPT WHEN SUCH USER POSSESSES DIRECT WRITTEN AUTHORIZATION FROM CHECKPOINT SYSTEMS

-- DO NOT SCALE DRAWING --

DOC EFF - 01/27/23			
		DWG. TITLE .375 IN HEAD SUB ASSY ATP	
REV 00	WATM-06-N-BY3-6	SIZE B	
DRAWING NUMBER		SHEET 2 OF 2	

8 7 6 5 4 3 2 1

ATP PARTS LIST 1/2" PLUNGER



D
C
B
A

D
C
B
A

PROPRIETARY AND CONFIDENTIAL
THE INFORMATION CONTAINED HEREIN IS PROPRIETARY TO CHECKPOINT SYSTEMS AND SHALL NOT BE REPRODUCED OR DISCLOSED IN WHOLE OR IN PART OR USED FOR ANY PURPOSE EXCEPT WHEN SUCH USER POSSESSES DIRECT WRITTEN AUTHORIZATION FROM CHECKPOINT SYSTEMS

-- DO NOT SCALE DRAWING --

DOC EFF - 01/27/23			
DWG. TITLE		.500 IN HEAD SUB ASSY ATP	
REV	00	WATM-08-N-BY3-6	SIZE B
DRAWING NUMBER		SHEET 1 OF 2	

WATM308YNHBY3-6 - 1/2" CERAMIC HLC

ITEM NO.	NUMBER	DESCRIPTION	QTY.
1	ATP0204-01	BUSHING	1
2	ATP0242-01	PLUNGER ASSY. - .500in	1
3	ATP0300-01	BLEED SCREW	1
4	ATP0340-02	INJECTION HEAD	1
5	ATP0440-03	GLAND NUT	1
6	HHBS6042014	BOLT	2
7	CFM04S6-B00	BALL CHECK - ONE PIECE	2
8	NCS08H087098	SEAL	1
9	RRIST-0103	RETAINING RING	1
10	SELWI-VI0803	WIPER	1
11	BB1CN02.5	CERAMIC BALL	1

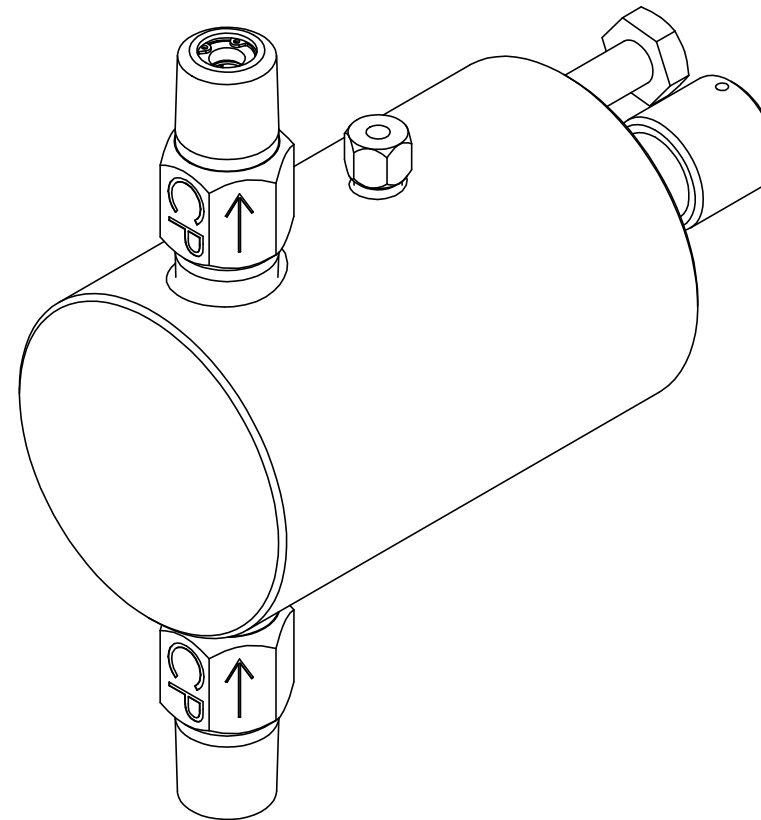
WATM308YNFBY3-6 - 1/2" CERAMIC FFKM

ITEM NO.	NUMBER	DESCRIPTION	QTY.
1	ATP0204-01	BUSHING	1
2	ATP0242-01	PLUNGER ASSY. - .500in	1
3	ATP0300-01	BLEED SCREW	1
4	ATP0340-02	INJECTION HEAD	1
5	ATP0440-03	GLAND NUT	1
6	HHBS6042014	BOLT	2
7	CFM04S6-B00	BALL CHECK - ONE PIECE	2
8	NCS08F087098	SEAL	1
9	RRIST-0103	RETAINING RING	1
10	SELWI-VI0803	WIPER	1
11	BB1CN02.5	CERAMIC BALL	1

WATM308YNQBY3-6 - 1/2" CERAMIC FKM

ITEM NO.	NUMBER	DESCRIPTION	QTY.
1	ATP0204-01	BUSHING	1
2	ATP0242-01	PLUNGER ASSY. - .500in	1
3	ATP0300-01	BLEED SCREW	1
4	ATP0340-02	INJECTION HEAD	1
5	ATP0440-03	GLAND NUT	1
6	HHBS6042014	BOLT	2
7	CFM04S6-B00	BALL CHECK - ONE PIECE	2
8	NCS08Q087098	PACKING	1
9	RRIST-0103	RETAINING RING	1
10	SELWI-VI0803	WIPER	1
11	BB1CN02.5	CERAMIC BALL	1

ATP PARTS LIST 1/2" PLUNGER



PROPRIETARY AND CONFIDENTIAL
 THE INFORMATION CONTAINED HEREIN IS PROPRIETARY TO CHECKPOINT SYSTEMS AND SHALL NOT BE REPRODUCED OR DISCLOSED IN WHOLE OR IN PART OR USED FOR ANY PURPOSE EXCEPT WHEN SUCH USER POSSESSES DIRECT WRITTEN AUTHORIZATION FROM CHECKPOINT SYSTEMS

-- DO NOT SCALE DRAWING --

DOC EFF - 01/27/23			
		DWG. TITLE .500 IN HEAD SUB ASSY ATP	
REV 00	WATM-08-N-BY3-6	SIZE B	
DRAWING NUMBER		SHEET 2 OF 2	