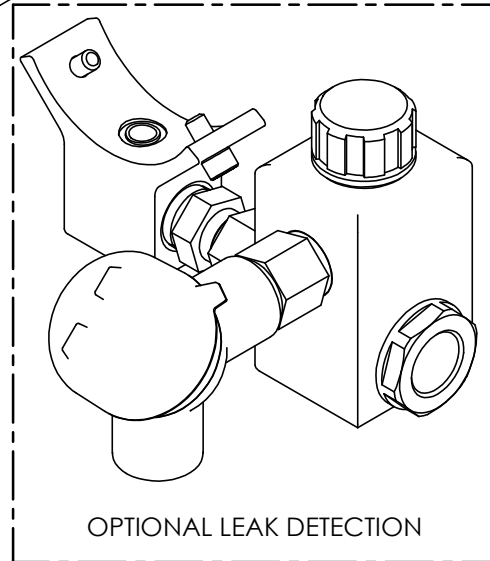
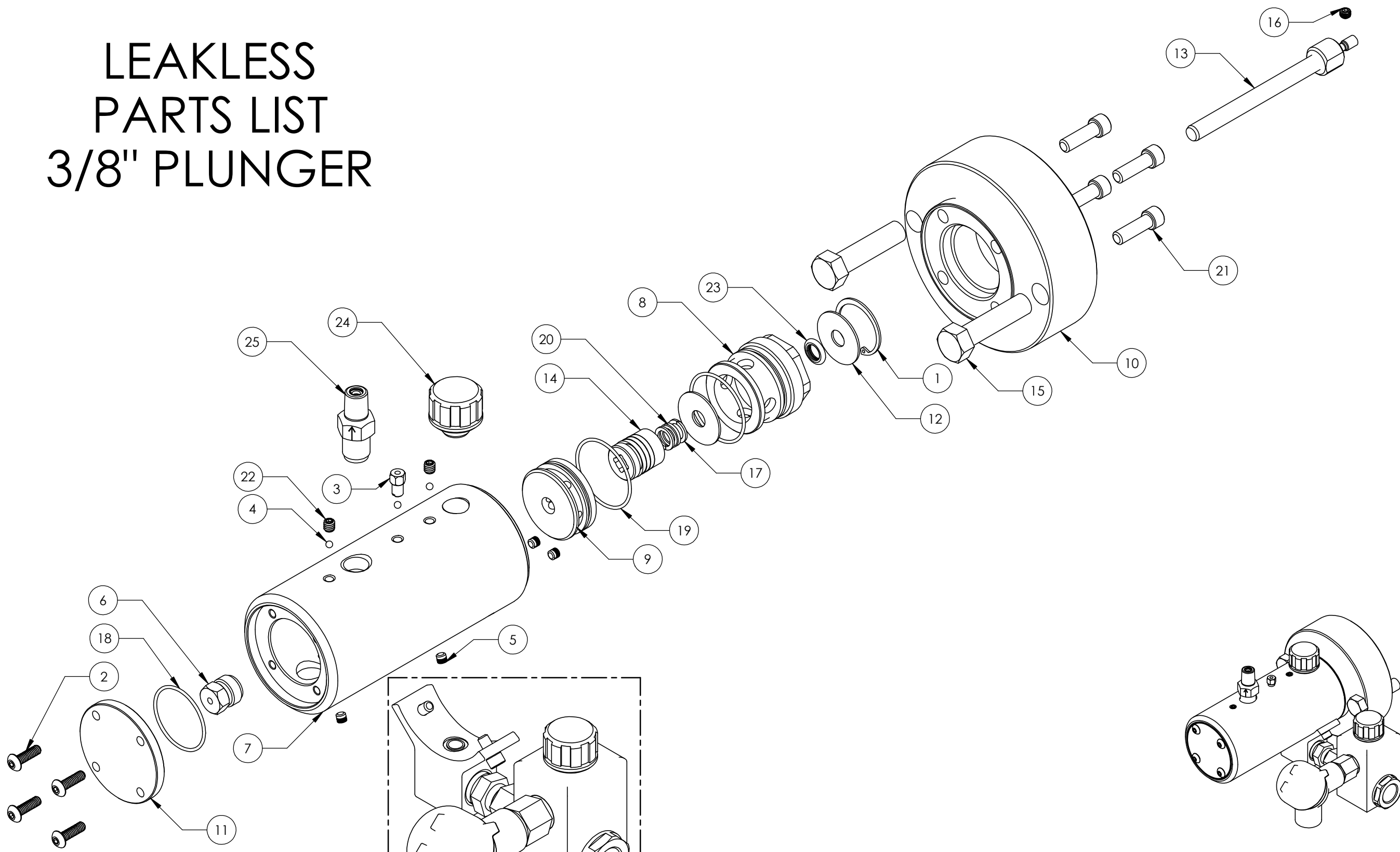




LEAKLESS PARTS LIST 3/8" PLUNGER


D
C
B
A

D
C
B
A



PROPRIETARY AND CONFIDENTIAL
 THE INFORMATION CONTAINED HEREIN IS PROPRIETARY TO CHECKPOINT SYSTEMS AND SHALL NOT BE REPRODUCED OR DISCLOSED IN WHOLE OR IN PART OR USED FOR ANY PURPOSE EXCEPT WHEN SUCH USER POSSESSES DIRECT WRITTEN AUTHORIZATION FROM CHECKPOINT SYSTEMS

-- DO NOT SCALE DRAWING --

DOC EFF - 11-4-2022		Checkpoint Pumps & Systems	
		DWG. TITLE HEAD ASSEMBLY 3/8" LEAKLESS	
REV 00	WLLD_06_N	SIZE B	
DRAWING NUMBER		SHEET 1 OF 2	

WLLD306YNH3H6 - 3/8" CERAMIC HLC

ITEM NO.	NUMBER	DESCRIPTION	QTY.
1	RRIST-0112	RETAINING RING	1
2	BLTPHS6-001	SCREW	4
3	ATP0300-01	BLEED SCREW	1
4	BB1CN02.5	CERAMIC BALL	3
5	CPEP218	EXPANDER PLUG	6
6	CSH11S6HB00	SUCTION CHECK	1
7	DLR0002-060	3/8" HEAD	1
8	DLR0003-060	LP-SEAL RETAINER	1
9	DLR0004-060	PRIMARY LP-SEAL RETAINER	1
10	DLR0005-10	FLANGE	1
11	DLR0007-01	COVER	1
12	DLR0019-060	SEAL RETAINER	2
13	DLR0100-060	PLUNGER ASSY	1
14	NCS06H087098	SEAL	1
15	P5036-S	BOLT	2
16	P5080	SET SCREW	1
17	SELBR-0103	BACKUP RING	2
18	SELORHN-2402	O RING	1
19	SELORHN-2602	O RING	2
20	SELQRHN-0603	QUAD RING	1
21	SSCS6051816	SOCKET CAP SCREW - 5/16-18 X 1" - 316SS	4
22	VSS6042004	1/4-20 SET SCREW - VENTED	2
23	SELSCAQ0015-060	SEAL	1
24	CPVNT105	VENT BREATHER CAP	1
25	CDM04S6HB00	CHECK ASSY	1

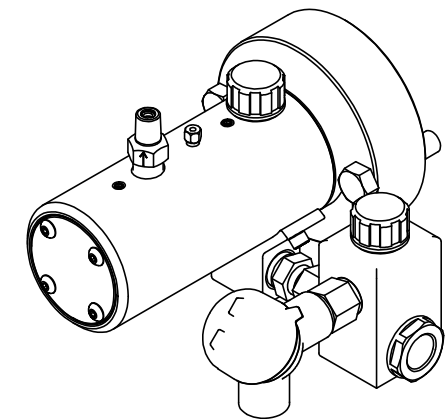
WLLD306YNQ3Q6 - 3/8" CERAMIC FKM

ITEM NO.	NUMBER	DESCRIPTION	QTY.
1	RRIST-0112	RETAINING RING	1
2	BLTPHS6-001	SCREW	4
3	ATP0300-01	BLEED SCREW	1
4	BB1CN02.5	CERAMIC BALL	3
5	CPEP218	EXPANDER PLUG	6
6	CSH11S6QB00	SUCTION CHECK	1
7	DLR0002-060	3/8" HEAD	1
8	DLR0003-060	LP-SEAL RETAINER	1
9	DLR0004-060	PRIMARY LP-SEAL RETAINER	1
10	DLR0005-10	FLANGE	1
11	DLR0007-01	COVER	1
12	DLR0019-060	SEAL RETAINER	2
13	DLR0100-060	PLUNGER ASSY	1
14	NCS06Q087098	PACKING	1
15	P5036-S	BOLT	2
16	P5080	SET SCREW	1
17	SELBR-0103	BACKUP RING	2
18	SELORPF-2402	O RING	1
19	SELORPF-2602	O RING	2
20	SELQRPF-0603	QUAD RING	1
21	SSCS6051816	SOCKET CAP SCREW - 5/16-18 X 1" - 316SS	4
22	VSS6042004	1/4-20 SET SCREW - VENTED	2
23	SELSCAQ0015-060	SEAL	1
24	CPVNT105	VENT BREATHER CAP	1
25	CDM04S6QB00	CHECK ASSY	1

WLLD306YNF3F6 - 3/8" CERAMIC FFKM

ITEM NO.	NUMBER	DESCRIPTION	QTY.
1	RRIST-0112	RETAINING RING	1
2	BLTPHS6-001	SCREW	4
3	ATP0300-01	BLEED SCREW	1
4	BB1CN02.5	CERAMIC BALL	3
5	CPEP218	EXPANDER PLUG	6
6	CSH11S6FB00	SUCTION CHECK	1
7	DLR0002-060	3/8" HEAD	1
8	DLR0003-060	LP-SEAL RETAINER	1
9	DLR0004-060	PRIMARY LP-SEAL RETAINER	1
10	DLR0005-10	FLANGE	1
11	DLR0007-01	COVER	1
12	DLR0019-060	SEAL RETAINER	2
13	DLR0100-060	PLUNGER ASSY	1
14	NCS06F087098	SEAL	1
15	P5036-S	BOLT	2
16	P5080	SET SCREW	1
17	SELBR-0103	BACKUP RING	2
18	SELORFK-2402	O RING	1
19	SELORFK-2602	O RING	2
20	SELQRFK-0603	QUAD RING	1
21	SSCS6051816	SOCKET CAP SCREW - 5/16-18 X 1" - 316SS	4
22	VSS6042004	1/4-20 SET SCREW - VENTED	2
23	SELSCAQ0015-060	SEAL	1
24	CPVNT105	VENT BREATHER CAP	1
25	CDM04S6FB00	CHECK ASSY	1

**LEAKLESS
PARTS LIST
3/8" PLUNGER**



PROPRIETARY AND CONFIDENTIAL
THE INFORMATION CONTAINED HEREIN IS PROPRIETARY TO CHECKPOINT SYSTEMS AND SHALL NOT BE REPRODUCED OR DISCLOSED IN WHOLE OR IN PART OR USED FOR ANY PURPOSE EXCEPT WHEN SUCH USER POSSESSES DIRECT WRITTEN AUTHORIZATION FROM CHECKPOINT SYSTEMS

-- DO NOT SCALE DRAWING --

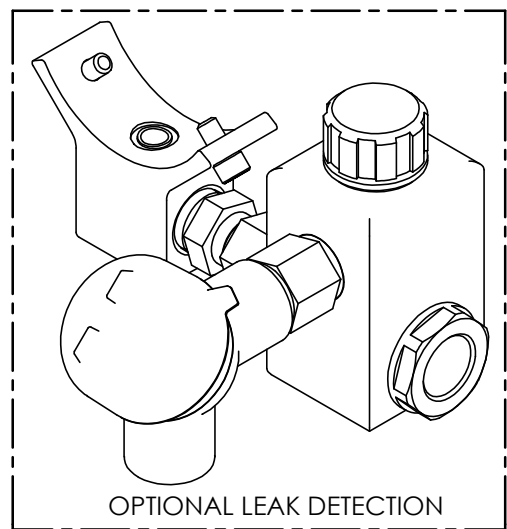
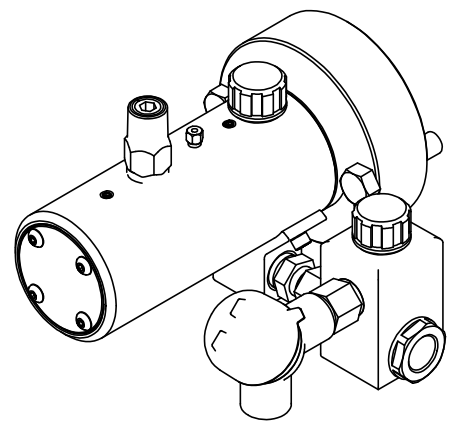
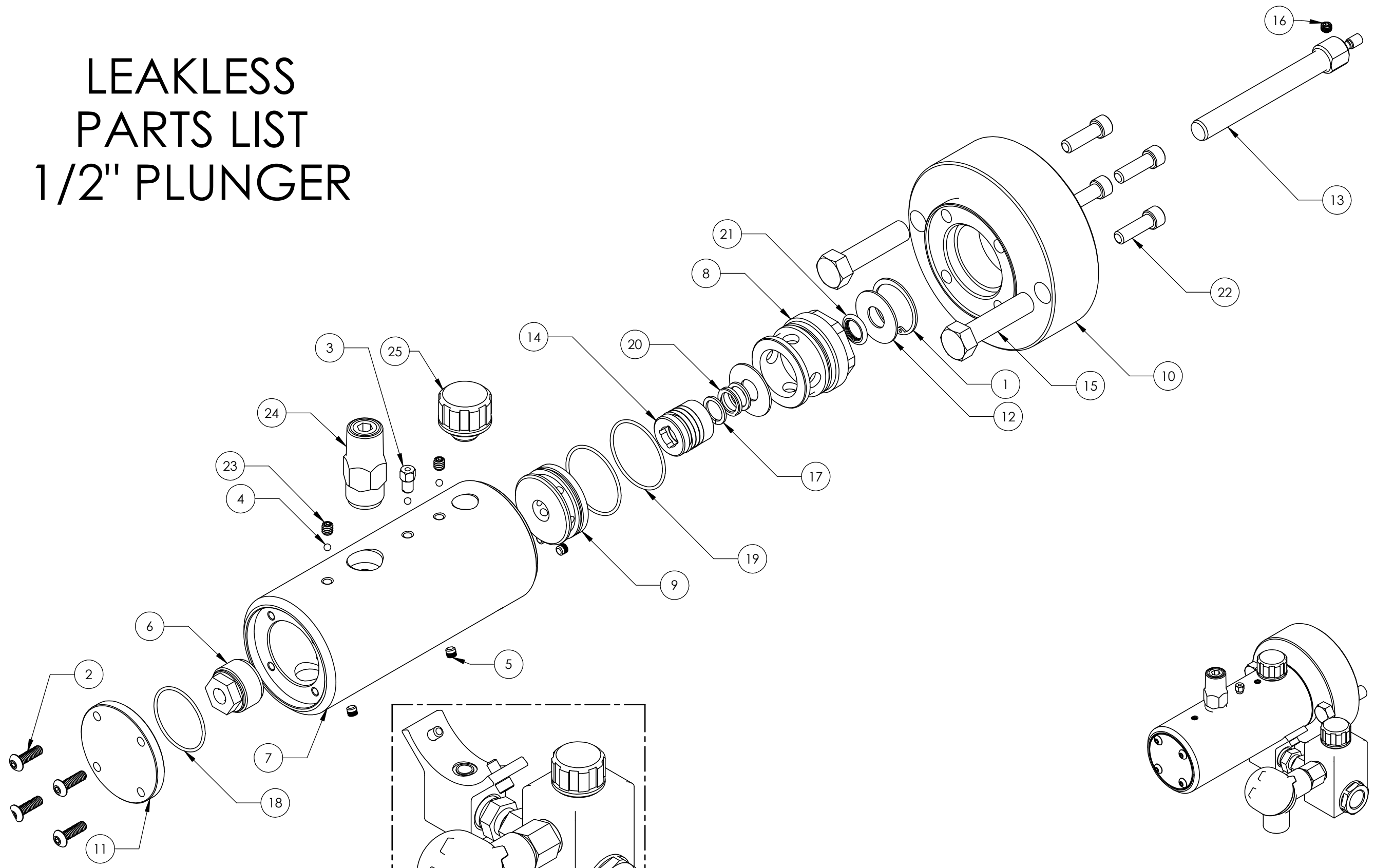
DOC EFF - 11/4/2022			
		DWG. TITLE HEAD ASSEMBLY 3/8" LEAKLESS	
REV 00	WLLD_06_N_____	SIZE B	
DRAWING NUMBER		SHEET 2 OF 2	

8 7 6 5 4 3 2 1

LEAKLESS PARTS LIST 1/2" PLUNGER


D
C
B
A

D
C
B
A



PROPRIETARY AND CONFIDENTIAL
 THE INFORMATION CONTAINED HEREIN IS PROPRIETARY TO CHECKPOINT SYSTEMS AND SHALL NOT BE REPRODUCED OR DISCLOSED IN WHOLE OR IN PART OR USED FOR ANY PURPOSE EXCEPT WHEN SUCH USER POSSESSES DIRECT WRITTEN AUTHORIZATION FROM CHECKPOINT SYSTEMS

-- DO NOT SCALE DRAWING --

DOC EFF - 11-4-2022		Checkpoint Pumps & Systems	
		DWG. TITLE HEAD ASSEMBLY 1/2" LEAKLESS	
REV 00	WLLD_08_N	SIZE B	
DRAWING NUMBER		SHEET 1 OF 2	

WLLD308YNH3H6 - 1/2" CERAMIC HLC

ITEM NO.	NUMBER	DESCRIPTION	QTY.
1	RRIST-0112	RETAINING RING	1
2	BLTPHS6-001	SCREW	4
3	ATP0300-01	BLEED SCREW	1
4	BB1CN02.5	CERAMIC BALL	3
5	CPEP218	EXPANDER PLUG	6
6	CSH18S6QB00	BALL CHECK SUCTION ASSY	1
7	DLR0002-080	1/2" HEAD	1
8	DLR0003-080	LP-SEAL RETAINER	1
9	DLR0004-080	PRIMARY LP-SEAL RETAINER	1
10	DLR0005-10	FLANGE	1
11	DLR0007-01	COVER	1
12	DLR0019-080	SEAL RETAINER	2
13	DLR0100-080	PLUNGER ASSY	1
14	NCS08H100098	SEAL	1
15	P5036-S	BOLT	2
16	P5080	SET SCREW	1
17	SELBR-0104	BACKUP RING	2
18	SELRHN-2402	O RING	1
19	SELRHN-2602	O RING	2
20	SELQRHN-0803	QUAD RING	1
21	SELSCAQ0015-080	SEAL	1
22	SSCS6051816	SOCKET CAP SCREW - 5/16-18 X 1" - 316SS	4
23	VSSS6042004	1/4-20 SET SCREW - VENTED	2
24	CDM08S6QB00	CHECK ASSY	1
25	CPVNT105	VENT BREATHER CAP	1

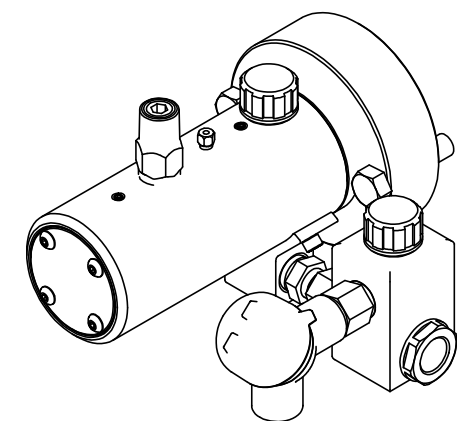
WLLD308YNQ3Q6 - 1/2" CERAMIC FKM

ITEM NO.	NUMBER	DESCRIPTION	QTY.
1	RRIST-0112	RETAINING RING	1
2	BLTPHS6-001	SCREW	4
3	ATP0300-01	BLEED SCREW	1
4	BB1CN02.5	CERAMIC BALL	3
5	CPEP218	EXPANDER PLUG	6
6	CSH18S6QB00	BALL CHECK SUCTION ASSY	1
7	DLR0002-080	1/2" HEAD	1
8	DLR0003-080	LP-SEAL RETAINER	1
9	DLR0004-080	PRIMARY LP-SEAL RETAINER	1
10	DLR0005-10	FLANGE	1
11	DLR0007-01	COVER	1
12	DLR0019-080	SEAL RETAINER	2
13	DLR0100-080	PLUNGER ASSY	1
14	NCS08Q100098	SEAL	1
15	P5036-S	BOLT	2
16	P5080	SET SCREW	1
17	SELBR-0104	BACKUP RING	2
18	SELRPF-2402	O RING	1
19	SELRPF-2602	O RING	2
20	SELQRPF-0803	QUAD RING	1
21	SELSCAQ0015-080	SEAL	1
22	SSCS6051816	SOCKET CAP SCREW - 5/16-18 X 1" - 316SS	4
23	VSSS6042004	1/4-20 SET SCREW - VENTED	2
24	CDM08S6QB00	CHECK ASSY	1
25	CPVNT105	VENT BREATHER CAP	1

WLLD308YNF3F6 - 1/2" CERAMIC FFKM


ITEM NO.	NUMBER	DESCRIPTION	QTY.
1	RRIST-0112	RETAINING RING	1
2	BLTPHS6-001	SCREW	4
3	ATP0300-01	BLEED SCREW	1
4	BB1CN02.5	CERAMIC BALL	3
5	CPEP218	EXPANDER PLUG	6
6	CSH18S6QB00	BALL CHECK SUCTION ASSY	1
7	DLR0002-080	1/2" HEAD	1
8	DLR0003-080	LP-SEAL RETAINER	1
9	DLR0004-080	PRIMARY LP-SEAL RETAINER	1
10	DLR0005-10	FLANGE	1
11	DLR0007-01	COVER	1
12	DLR0019-080	SEAL RETAINER	2
13	DLR0100-080	PLUNGER ASSY	1
14	NCS08F100098	SEAL	1
15	P5036-S	BOLT	2
16	P5080	SET SCREW	1
17	SELBR-0104	BACKUP RING	2
18	SELORFK-2402	O RING	1
19	SELORFK-2602	O RING	2
20	SELQRFK-0803	QUAD RING	1
21	SELSCAQ0015-080	SEAL	1
22	SSCS6051816	SOCKET CAP SCREW - 5/16-18 X 1" - 316SS	4
23	VSSS6042004	1/4-20 SET SCREW - VENTED	2
24	CDM08S6QB00	CHECK ASSY	1
25	CPVNT105	VENT BREATHER CAP	1

**LEAKLESS
PARTS LIST
1/2" PLUNGER**

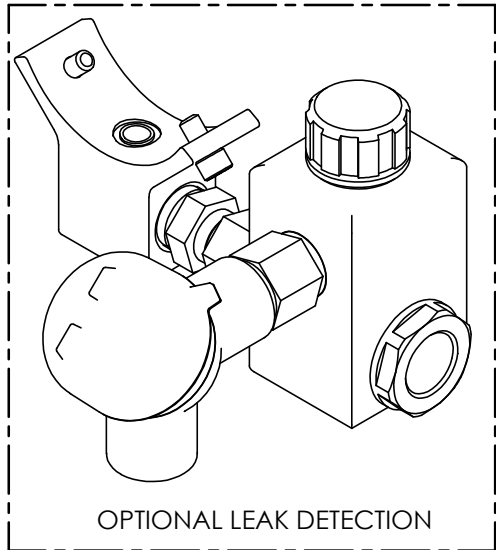
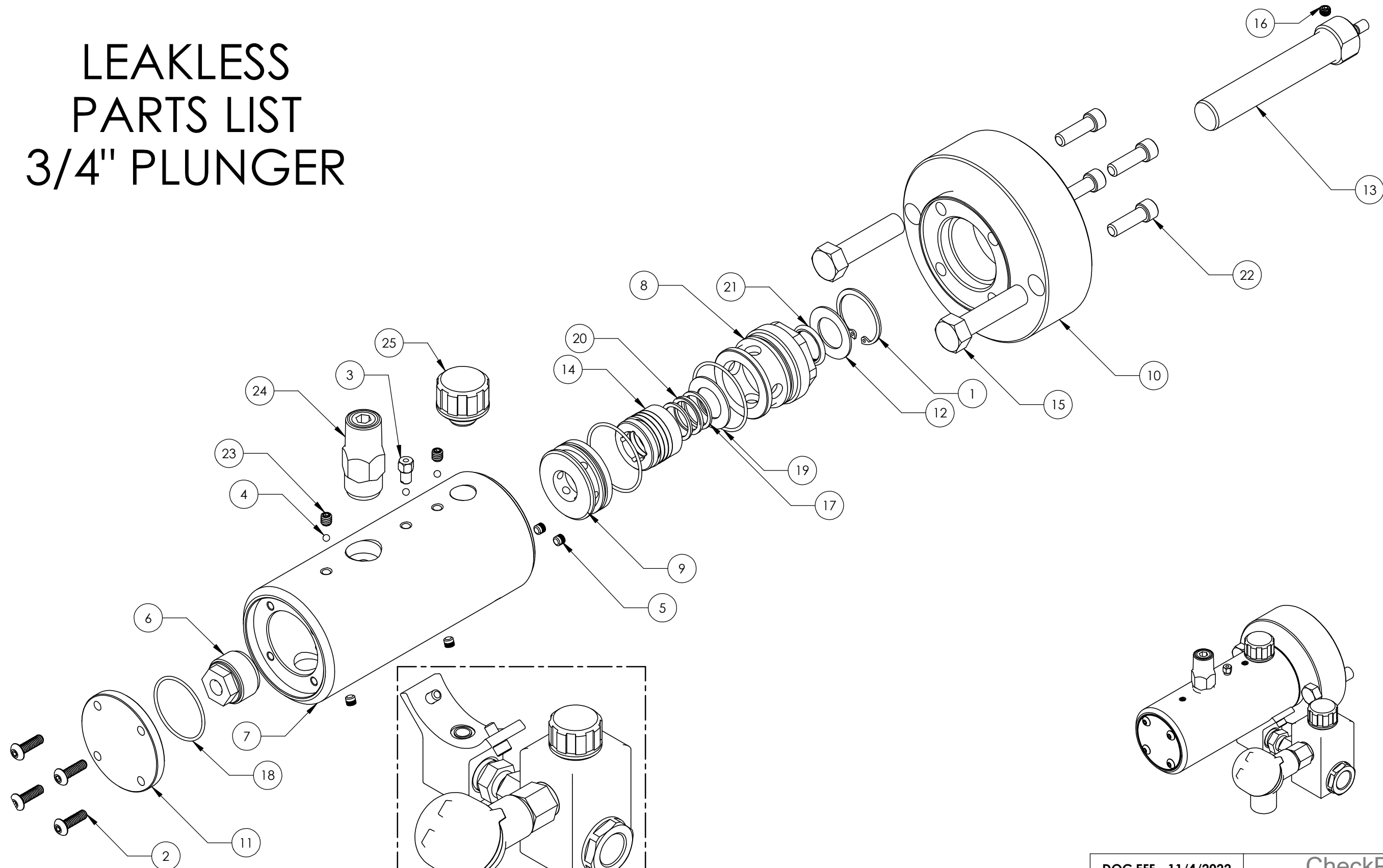


PROPRIETARY AND CONFIDENTIAL
THE INFORMATION CONTAINED HEREIN IS PROPRIETARY TO CHECKPOINT SYSTEMS AND SHALL NOT BE REPRODUCED OR DISCLOSED IN WHOLE OR IN PART OR USED FOR ANY PURPOSE EXCEPT WHEN SUCH USER POSSESSES DIRECT WRITTEN AUTHORIZATION FROM CHECKPOINT SYSTEMS

-- DO NOT SCALE DRAWING --


DOC EFF -11-4-2022		Checkpoint Pumps & Systems	
		DWG. TITLE HEAD ASSEMBLY 1/2" LEAKLESS	
REV 00	WLLD_08_N_____	SIZE B	
DRAWING NUMBER		SHEET 2 OF 2	

LEAKLESS PARTS LIST 3/4" PLUNGER



PROPRIETARY AND CONFIDENTIAL
THE INFORMATION CONTAINED HEREIN IS PROPRIETARY TO CHECKPOINT SYSTEMS AND SHALL NOT BE REPRODUCED OR DISCLOSED IN WHOLE OR IN PART OR USED FOR ANY PURPOSE EXCEPT WHEN SUCH USER POSSESSES DIRECT WRITTEN AUTHORIZATION FROM CHECKPOINT SYSTEMS

-- DO NOT SCALE DRAWING --

DOC EFF - 11/4/2022		CheckPoint Pumps & Systems	
		DWG. TITLE HEAD ASSEMBLY 3/4" LEAKLESS	
REV 00	WLLD_12_N	SIZE B	
DRAWING NUMBER		SHEET 1 OF 2	

WLLD312YNH3H6 - 3/4" CERAMIC HLC

ITEM NO.	NUMBER	DESCRIPTION	QTY.
1	RRIST-0112	RETAINING RING	1
2	BLTPHS6-001	SCREW	4
3	ATP0300-01	BLEED SCREW	1
4	BB1CN02.5	CERAMIC BALL	3
5	CPEP218	EXPANDER PLUG	6
6	CSH18S6QB00	BALL CHECK SUCTION ASSY	1
7	DLR0002-120	3/4" HEAD	1
8	DLR0003-120	LP-SEAL RETAINER	1
9	DLR0004-120	PRIMARY LP-SEAL RETAINER	1
10	DLR0005-10	FLANGE	1
11	DLR0007-01	COVER	1
12	DLR0019-120	SEAL RETAINER	2
13	DLR0100-120	PLUNGER ASSY	1
14	NCS12H125098	SEAL	1
15	P5036-S	BOLT	2
16	P5080	SET SCREW	1
17	SBRTF1203	BACKUP RING	2
18	SELORHN-2402	O RING	1
19	SELORHN-2602	O RING	2
20	SELQRHN-1203	QUAD RING	1
21	SELSCAQ0015-120	SEAL	1
22	SSCS6051816	SOCKET CAP SCREW - 5/16-18 X 1" - 316SS	4
23	VSSS6042004	1/4-20 SET SCREW - VENTED	2
24	CDM08S6QB00	CHECK ASSY	1
25	CPVNT105	VENT BREATHER CAP	1

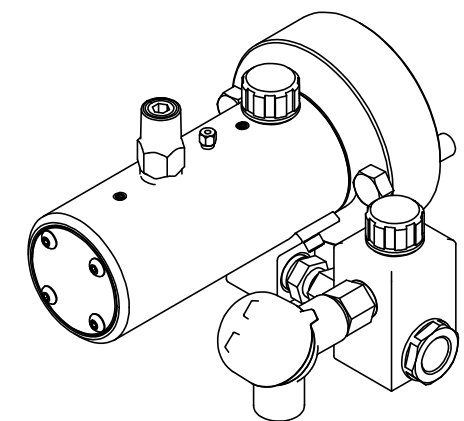
WLLD312YNQ3Q6 - 3/4" CERAMIC FKM

ITEM NO.	NUMBER	DESCRIPTION	QTY.
1	RRIST-0112	RETAINING RING	1
2	BLTPHS6-001	SCREW	4
3	ATP0300-01	BLEED SCREW	1
4	BB1CN02.5	CERAMIC BALL	3
5	CPEP218	EXPANDER PLUG	6
6	CSH18S6QB00	BALL CHECK SUCTION ASSY	1
7	DLR0002-120	3/4" HEAD	1
8	DLR0003-120	LP-SEAL RETAINER	1
9	DLR0004-120	PRIMARY LP-SEAL RETAINER	1
10	DLR0005-10	FLANGE	1
11	DLR0007-01	COVER	1
12	DLR0019-120	SEAL RETAINER	2
13	DLR0100-120	PLUNGER ASSY	1
14	NCS12Q125098	SEAL	1
15	P5036-S	BOLT	2
16	P5080	SET SCREW	1
17	SBRTF1203	BACKUP RING	2
18	SELORPF-2402	O RING	1
19	SELORPF-2602	O RING	2
20	SELQRPF-1203	QUAD RING	1
21	SELSCAQ0015-120	SEAL	1
22	SSCS6051816	SOCKET CAP SCREW - 5/16-18 X 1" - 316SS	4
23	VSSS6042004	1/4-20 SET SCREW - VENTED	2
24	CDM08S6QB00	CHECK ASSY	1
25	CPVNT105	VENT BREATHER CAP	1

WLLD312YNF3F6 - 3/4" CERAMIC FFKM


ITEM NO.	NUMBER	DESCRIPTION	QTY.
1	RRIST-0112	RETAINING RING	1
2	BLTPHS6-001	SCREW	4
3	ATP0300-01	BLEED SCREW	1
4	BB1CN02.5	CERAMIC BALL	3
5	CPEP218	EXPANDER PLUG	6
6	CSH18S6QB00	BALL CHECK SUCTION ASSY	1
7	DLR0002-120	3/4" HEAD	1
8	DLR0003-120	LP-SEAL RETAINER	1
9	DLR0004-120	PRIMARY LP-SEAL RETAINER	1
10	DLR0005-10	FLANGE	1
11	DLR0007-01	COVER	1
12	DLR0019-120	SEAL RETAINER	2
13	DLR0100-120	PLUNGER ASSY	1
14	NCS12F125098	SEAL	1
15	P5036-S	BOLT	2
16	P5080	SET SCREW	1
17	SBRTF1203	BACKUP RING	2
18	SELORFK-2402	O RING	1
19	SELORFK-2602	O RING	2
20	SELQRFK-1203	QUAD RING	1
21	SELSCAQ0015-120	SEAL	1
22	SSCS6051816	SOCKET CAP SCREW - 5/16-18 X 1" - 316SS	4
23	VSSS6042004	1/4-20 SET SCREW - VENTED	2
24	CDM08S6QB00	CHECK ASSY	1
25	CPVNT105	VENT BREATHER CAP	1

**LEAKLESS
PARTS LIST
3/4" PLUNGER**

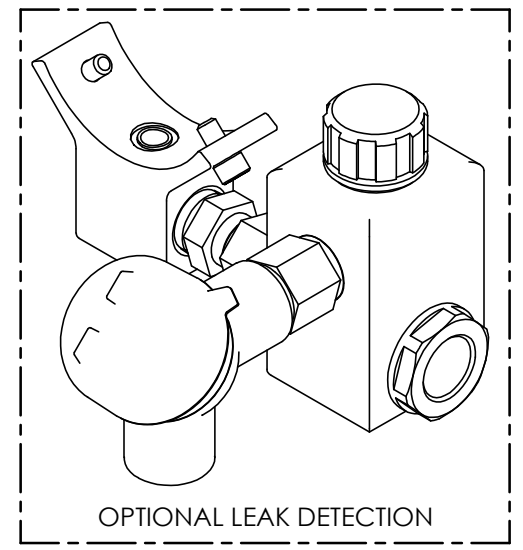
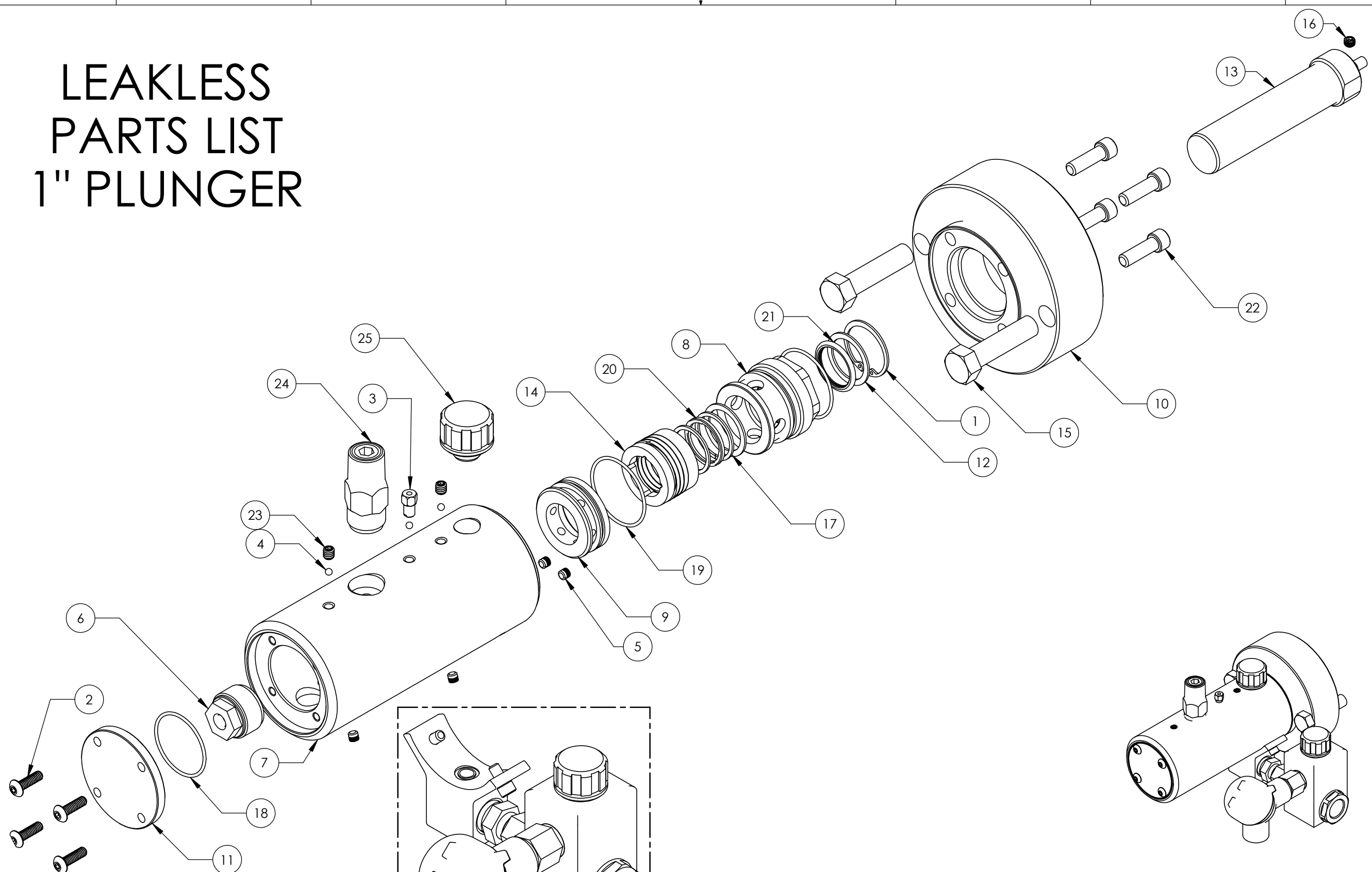


PROPRIETARY AND CONFIDENTIAL
THE INFORMATION CONTAINED HEREIN IS PROPRIETARY TO CHECKPOINT SYSTEMS AND SHALL NOT BE REPRODUCED OR DISCLOSED IN WHOLE OR IN PART OR USED FOR ANY PURPOSE EXCEPT WHEN SUCH USER POSSESSES DIRECT WRITTEN AUTHORIZATION FROM CHECKPOINT SYSTEMS

-- DO NOT SCALE DRAWING --


DOC EFF - 11-4-2022		Checkpoint Pumps & Systems	
		DWG. TITLE HEAD ASSEMBLY 3/4" LEAKLESS	
REV 00	WLLD_12_N_____	SIZE B	
DRAWING NUMBER		SHEET 2 OF 2	

LEAKLESS PARTS LIST 1" PLUNGER



PROPRIETARY AND CONFIDENTIAL
THE INFORMATION CONTAINED HEREIN IS PROPRIETARY TO CHECKPOINT SYSTEMS AND SHALL NOT BE REPRODUCED OR DISCLOSED IN WHOLE OR IN PART OR USED FOR ANY PURPOSE EXCEPT WHEN SUCH USER POSSESSES DIRECT WRITTEN AUTHORIZATION FROM CHECKPOINT SYSTEMS

-- DO NOT SCALE DRAWING --

DOC EFF - 11/4/2022		CheckPoint Pumps & Systems	
		DWG. TITLE HEAD ASSEMBLY 1" LEAKLESS	
REV 00	WLLD_16_N	SIZE B	
DRAWING NUMBER		SHEET 1 OF 2	

WLLD316YNH3H6 - 1" CERAMIC HLC

ITEM NO.	NUMBER	DESCRIPTION	QTY.
1	RRIST-0112	RETAINING RING	1
2	BLTPHS6-001	SCREW	4
3	ATP0300-01	BLEED SCREW	1
4	BB1CN02.5	CERAMIC BALL	3
5	CPEP218	EXPANDER PLUG	6
6	CSH18S6QB00	BALL CHECK SUCTION ASSY	1
7	DLR0002-016	1" HEAD	1
8	DLR0003-160	LP-SEAL RETAINER	1
9	DLR0004-160	PRIMARY LP-SEAL RETAINER	1
10	DLR0005-10	FLANGE	1
11	DLR0007-01	COVER	1
12	DLR0019-160	SEAL RETAINER	2
13	DLR0100-160	PLUNGER ASSY	1
14	NCS16H150098	SEAL	1
15	P5036-S	BOLT	2
16	P5080	SET SCREW	1
17	SBRT1603	BACKUP RING	2
18	SELORHN-2402	O RING	1
19	SELORHN-2602	O RING	2
20	SELQRHN-1603	QUAD RING	1
21	SELSCAQ0015-160	SEAL	1
22	SSCS6051816	SOCKET CAP SCREW - 5/16-18 X 1" - 316SS	4
23	VSSS6042004	1/4-20 SET SCREW - VENTED	2
24	CDM08S6QB00	CHECK ASSY	1
25	CPVNT105	VENT BREATHER CAP	1

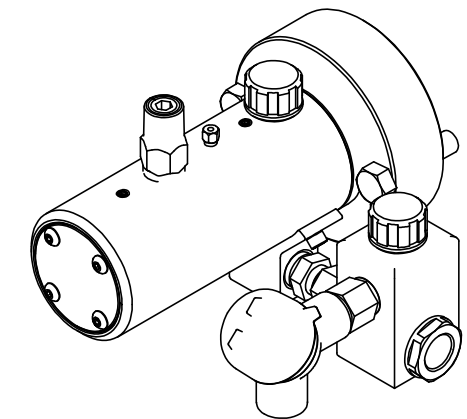
WLLD316YNQ3Q6 - 1" CERAMIC FKM

ITEM NO.	NUMBER	DESCRIPTION	QTY.
1	RRIST-0112	RETAINING RING	1
2	BLTPHS6-001	SCREW	4
3	ATP0300-01	BLEED SCREW	1
4	BB1CN02.5	CERAMIC BALL	3
5	CPEP218	EXPANDER PLUG	6
6	CSH18S6QB00	BALL CHECK SUCTION ASSY	1
7	DLR0002-016	1" HEAD	1
8	DLR0003-160	LP-SEAL RETAINER	1
9	DLR0004-160	PRIMARY LP-SEAL RETAINER	1
10	DLR0005-10	FLANGE	1
11	DLR0007-01	COVER	1
12	DLR0019-160	SEAL RETAINER	2
13	DLR0100-160	PLUNGER ASSY	1
14	NCS16Q150098	SEAL	1
15	P5036-S	BOLT	2
16	P5080	SET SCREW	1
17	SBRT1603	BACKUP RING	2
18	SELORPF-2402	O RING	1
19	SELORPF-2602	O RING	2
20	SELQRPF-1603	QUAD RING	1
21	SELSCAQ0015-160	SEAL	1
22	SSCS6051816	SOCKET CAP SCREW - 5/16-18 X 1" - 316SS	4
23	VSSS6042004	1/4-20 SET SCREW - VENTED	2
24	CDM08S6QB00	CHECK ASSY	1
25	CPVNT105	VENT BREATHER CAP	1

WLLD316YNF3F6 - 1" CERAMIC FFKM

ITEM NO.	NUMBER	DESCRIPTION	QTY.
1	RRIST-0112	RETAINING RING	1
2	BLTPHS6-001	SCREW	4
3	ATP0300-01	BLEED SCREW	1
4	BB1CN02.5	CERAMIC BALL	3
5	CPEP218	EXPANDER PLUG	6
6	CSH18S6QB00	BALL CHECK SUCTION ASSY	1
7	DLR0002-016	1" HEAD	1
8	DLR0003-160	LP-SEAL RETAINER	1
9	DLR0004-160	PRIMARY LP-SEAL RETAINER	1
10	DLR0005-10	FLANGE	1
11	DLR0007-01	COVER	1
12	DLR0019-160	SEAL RETAINER	2
13	DLR0100-160	PLUNGER ASSY	1
14	NCS16F150098	SEAL	1
15	P5036-S	BOLT	2
16	P5080	SET SCREW	1
17	SBRT1603	BACKUP RING	2
18	SELORFK-2402	O RING	1
19	SELORFK-2602	O RING	2
20	SELQRFK-1603	QUAD RING	1
21	SELSCAQ0015-160	SEAL	1
22	SSCS6051816	SOCKET CAP SCREW - 5/16-18 X 1" - 316SS	4
23	VSSS6042004	1/4-20 SET SCREW - VENTED	2
24	CDM08S6QB00	CHECK ASSY	1
25	CPVNT105	VENT BREATHER CAP	1

LEAKLESS PARTS LIST 1" PLUNGER



DOC EFF - 11/4/2022			
		DWG. TITLE HEAD ASSEMBLY 1" LEAKLESS	
REV 00	WLLD_16_N_____	SIZE B	
DRAWING NUMBER		SHEET 2 OF 2	

PROPRIETARY AND CONFIDENTIAL
 THE INFORMATION CONTAINED HEREIN IS PROPRIETARY TO CHECKPOINT SYSTEMS AND SHALL NOT BE REPRODUCED OR DISCLOSED IN WHOLE OR IN PART OR USED FOR ANY PURPOSE EXCEPT WHEN SUCH USER POSSESSES DIRECT WRITTEN AUTHORIZATION FROM CHECKPOINT SYSTEMS

-- DO NOT SCALE DRAWING --