



W50D306CNH3H6 - 3/8" CERAMIC HLC

ITEM NO.	PART NUMBER	DESCRIPTION	QTY.
1	BB1CN05	BALL	1
2	CDA06S6H101	DISCHARGE CHECK	1
3	CFM08S6H201	CHECK	1
4	NCS06H087098	SEAL	1
5	P5036-S	BOLT	2
6	P5080	SET SCREW	1
7	P50GNWS606	GLAND NUT	1
8	P50IHS6103	1500 HEAD	1
9	PBSS112	BLEED SCREW	1
10	PPLGRCE206	PLUNGER	1
11	SELWI-VI0603	WIPER	1
12	SPHC18001	SPRING	1

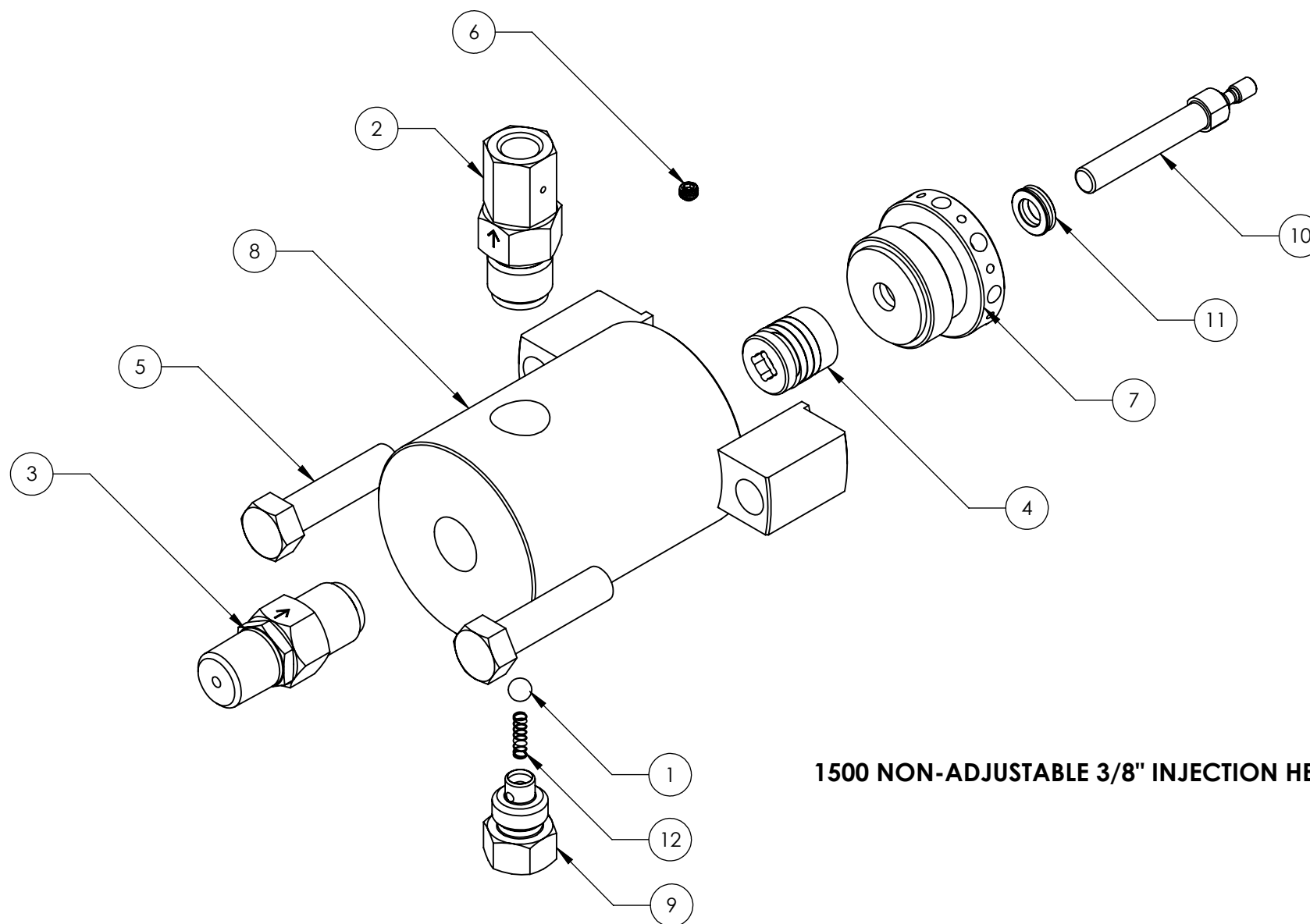
W50D306CNQ3Q6 - 3/8" CERAMIC FKM

ITEM NO.	PART NUMBER	DESCRIPTION	QTY.
1	BB1CN05	BALL	1
2	CDA06S6Q101	DISCHARGE CHECK	1
3	CFM08S6Q201	CHECK	1
4	NCS06Q087098	PACKING	1
5	P5036-S	BOLT	2
6	P5080	SET SCREW	1
7	P50GNWS606	GLAND NUT	1
8	P50IHS6103	1500 HEAD	1
9	PBSS112	BLEED SCREW	1
10	PPLGRCE206	PLUNGER	1
11	SELWI-VI0603	WIPER	1
12	SPHC18001	SPRING	1

W50D306CNF3F6 - 3/8" CERAMIC FFKM

ITEM NO.	PART NUMBER	DESCRIPTION	QTY.
1	BB1CN05	BALL	1
2	CDA06S6F101	DISCHARGE CHECK	1
3	CFM08S6F201	CHECK	1
4	NCS06F087098	SEAL	1
5	P5036-S	BOLT	2
6	P5080	SET SCREW	1
7	P50GNWS606	GLAND NUT	1
8	P50IHS6103	1500 HEAD	1
9	PBSS112	BLEED SCREW	1
10	PPLGRCE206	PLUNGER	1
11	SELWI-VI0603	WIPER	1
12	SPHC18001	SPRING	1

PARTS LIST 3/8" PLUNGER



1500 NON-ADJUSTABLE 3/8" INJECTION HEAD

PROPRIETARY AND CONFIDENTIAL
THE INFORMATION CONTAINED HEREIN IS PROPRIETARY TO CHECKPOINT SYSTEMS AND SHALL NOT BE REPRODUCED OR DISCLOSED IN WHOLE OR IN PART OR USED FOR ANY PURPOSE EXCEPT WHEN SUCH USER POSSESSES DIRECT WRITTEN AUTHORIZATION FROM CHECKPOINT SYSTEMS

-- DO NOT SCALE DRAWING --

DOC EFF - 3/4/2020		Checkpoint Pumps & Systems	
CHECKPOINT PUMPS & SYSTEMS 21356 MARION LANE MANDEVILLE, LA 70471 USA TEL 504.340.0770 -- FAX 888.217.6402		DWG. TITLE PART LISTS 1500 NON-ADJUST WET END	
REV 00	DRAWING NUMBER MKT-1500-WE-PL	SIZE B	SHEET 1 OF 5

W50M308CNH3H6 - 1/2" CERAMIC HLC

ITEM NO.	PART NUMBER	DESCRIPTION	QTY.
1	BB1CN05	BALL	1
2	C50DSS61	SPACER	1
3	C50SSS61	SPACER	1
4	CFM08S6H101	CHECK ASSY	2
5	NCS08H100098	SEAL	1
6	ORHN1502	O RING	1
7	P5036-S	BOLT	2
8	P5046	O RING BACKUP	1
9	P5080	SET SCREW	1
10	P50GNWS608	GLAND NUT	1
11	P50IHS6116	1500 HEAD	1
12	P50SLS108	SLEEVE	1
13	PBSS112	BLEED SCREW	1
14	PPLGRCE108	PLUNGER	1
15	SELWI-VI0803	WIPER	1
16	SPHC18001	SPRING	1

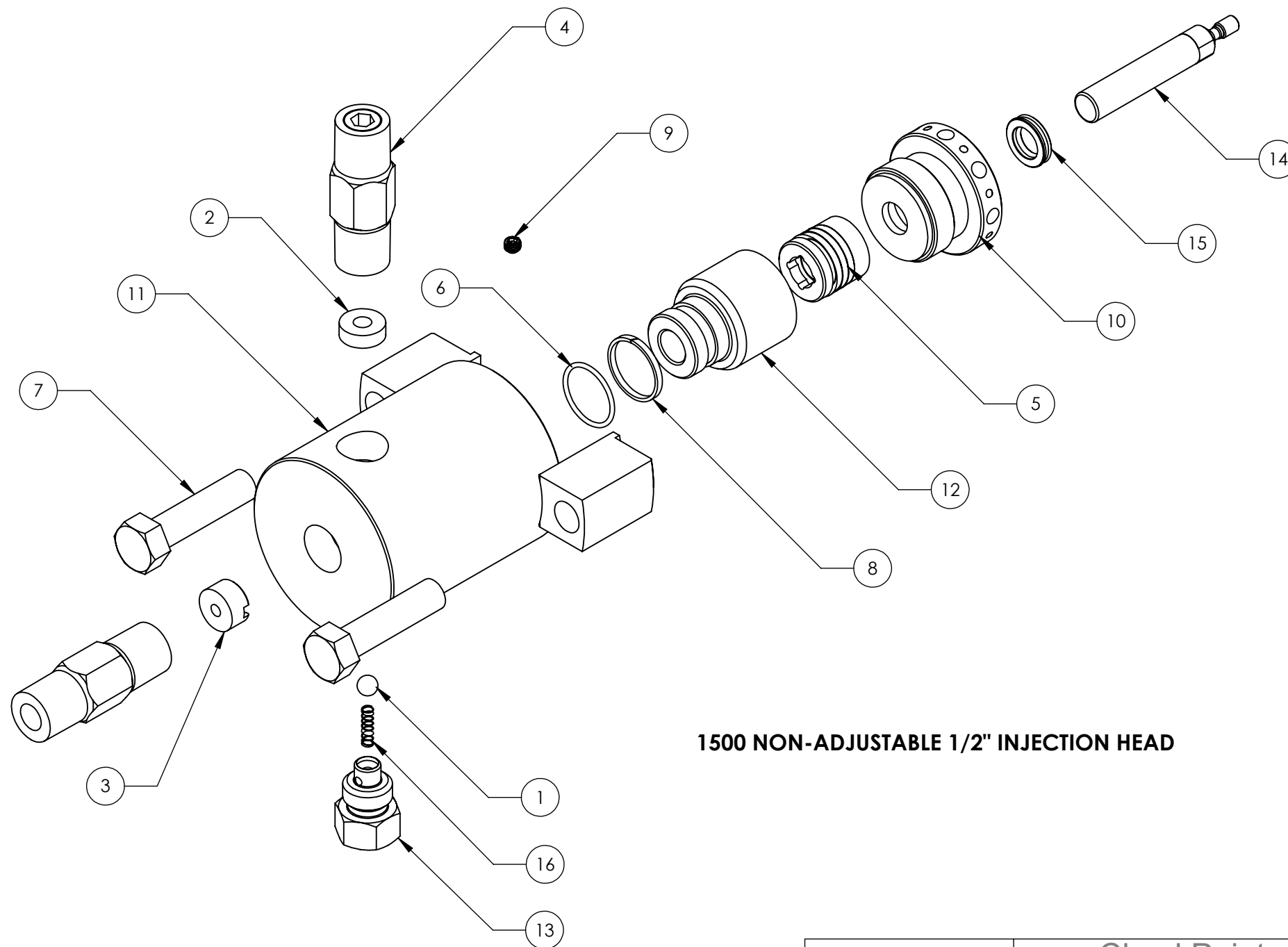
W50M308CNQ3Q6 - 1/2" CERAMIC FKM

ITEM NO.	PART NUMBER	DESCRIPTION	QTY.
1	BB1CN05	BALL	1
2	C50DSS61	SPACER	1
3	C50SSS61	SPACER	1
4	CFM08S6Q101	CHECK ASSY	2
5	NCS08Q100098	SEAL	1
6	ORPF1502	O RING	1
7	P5036-S	BOLT	2
8	P5046	O RING BACKUP	1
9	P5080	SET SCREW	1
10	P50GNWS608	GLAND NUT	1
11	P50IHS6116	1500 HEAD	1
12	P50SLS108	SLEEVE	1
13	PBSS112	BLEED SCREW	1
14	PPLGRCE108	PLUNGER	1
15	SELWI-VI0803	WIPER	1
16	SPHC18001	SPRING	1

W50M308CNF3F6 - 1/2" CERAMIC FFKM

ITEM NO.	PART NUMBER	DESCRIPTION	QTY.
1	BB1CN05	BALL	1
2	C50DSS61	SPACER	1
3	C50SSS61	SPACER	1
4	CFM08S6F101	CHECK ASSY	2
5	NCS08F100098	SEAL	1
6	ORFK1502	O RING	1
7	P5036-S	BOLT	2
8	P5046	O RING BACKUP	1
9	P5080	SET SCREW	1
10	P50GNWS608	GLAND NUT	1
11	P50IHS6116	1500 HEAD	1
12	P50SLS108	SLEEVE	1
13	PBSS112	BLEED SCREW	1
14	PPLGRCE108	PLUNGER	1
15	SELWI-VI0803	WIPER	1
16	SPHC18001	SPRING	1


PARTS LIST 1/2" PLUNGER



1500 NON-ADJUSTABLE 1/2" INJECTION HEAD

PROPRIETARY AND CONFIDENTIAL
THE INFORMATION CONTAINED HEREIN IS PROPRIETARY TO CHECKPOINT SYSTEMS AND SHALL NOT BE REPRODUCED OR DISCLOSED IN WHOLE OR IN PART OR USED FOR ANY PURPOSE EXCEPT WHEN SUCH USER POSSESSES DIRECT WRITTEN AUTHORIZATION FROM CHECKPOINT SYSTEMS

-- DO NOT SCALE DRAWING --

DOC EFF - 3/4/2020		CheckPoint Pumps & Systems	
		DWG. TITLE PART LISTS 1500 NON-ADJUST WET END	
REV 00	DRAWING NUMBER MKT-1500-WE-PL	SIZE B	
		SHEET 2 OF 5	

W50M312CNH3H6 - 3/4" CERAMIC HLC

ITEM NO.	PART NUMBER	DESCRIPTION	QTY.
1	BB1CN05	BALL	1
2	CFM08S6H101	CHECK ASSY	2
3	NCS12H125098	SEAL	1
4	ORHN1502	O RING	1
5	P5036-S	BOLT	2
6	P5046	O RING BACKUP	1
7	P5080	SET SCREW	1
8	P50GNWS612	GLAND NUT	1
9	P50IHS6116	1500 HEAD	1
10	P50PLCE112	PLUNGER	1
11	P50SLS112	SLEEVE	1
12	PBSS112	BLEED SCREW	1
13	SELWI-VI1203	WIPER	1
14	SPHC18001	SPRING	1

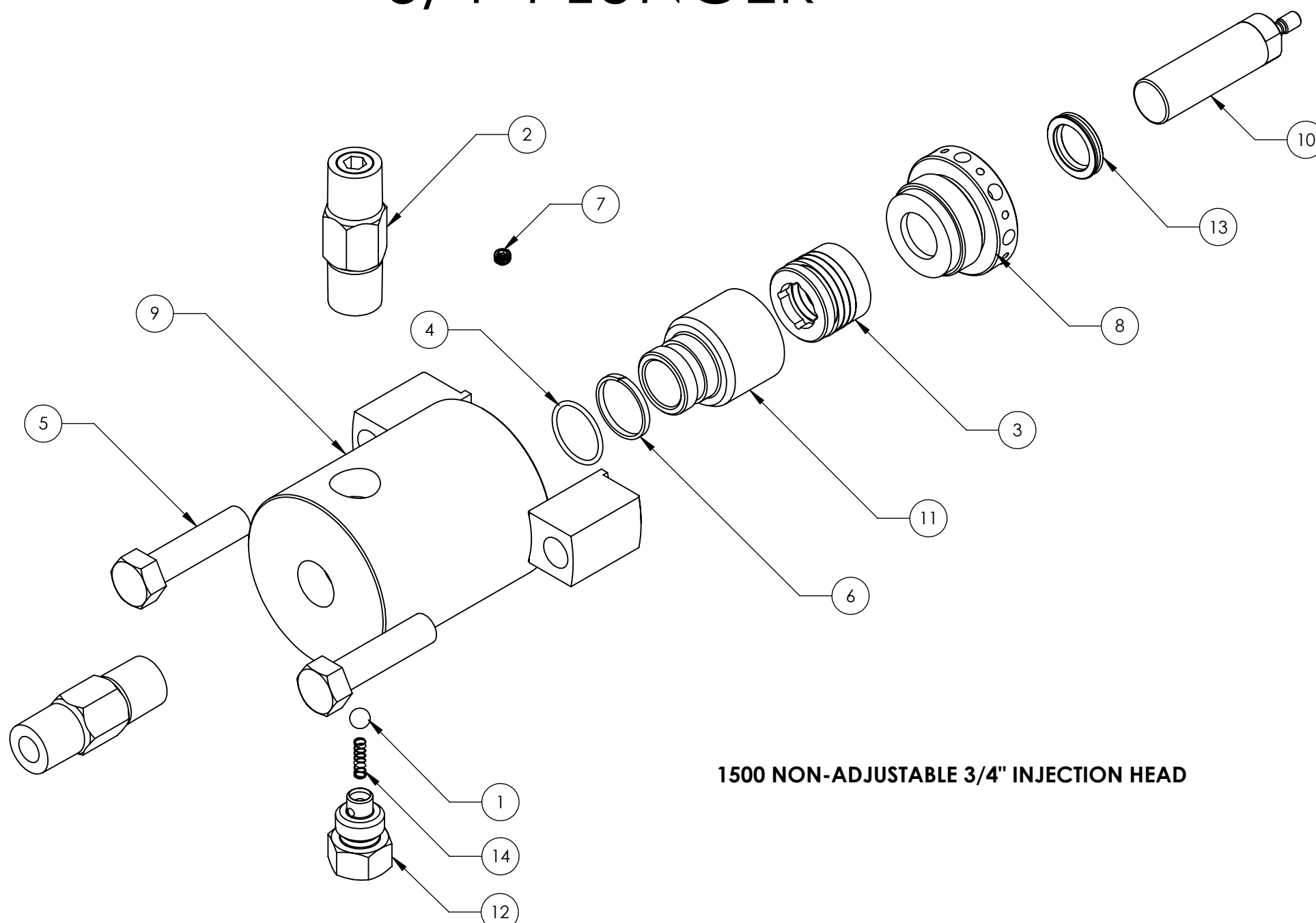
W50M312CNQ3Q6 - 3/4" CERAMIC FKM

ITEM NO.	PART NUMBER	DESCRIPTION	QTY.
1	BB1CN05	BALL	1
2	CFM08S6Q101	CHECK ASSY	2
3	NCS12Q125098	SEAL	1
4	ORPF1502	O RING	1
5	P5036-S	BOLT	2
6	P5046	O RING BACKUP	1
7	P5080	SET SCREW	1
8	P50GNWS612	GLAND NUT	1
9	P50IHS6116	1500 HEAD	1
10	P50PLCE112	PLUNGER	1
11	P50SLS112	SLEEVE	1
12	PBSS112	BLEED SCREW	1
13	SELWI-VI1203	WIPER	1
14	SPHC18001	SPRING	1

W50M312CNF3F6 - 3/4" CERAMIC FFKM

ITEM NO.	PART NUMBER	DESCRIPTION	QTY.
1	BB1CN05	BALL	1
2	CFM08S6F101	CHECK ASSY	2
3	NCS12F125098	SEAL	1
4	ORFK1502	O RING	1
5	P5036-S	BOLT	2
6	P5046	O RING BACKUP	1
7	P5080	SET SCREW	1
8	P50GNWS612	GLAND NUT	1
9	P50IHS6116	1500 HEAD	1
10	P50PLCE112	PLUNGER	1
11	P50SLS112	SLEEVE	1
12	PBSS112	BLEED SCREW	1
13	SELWI-VI1203	WIPER	1
14	SPHC18001	SPRING	1

PARTS LIST 3/4" PLUNGER



1500 NON-ADJUSTABLE 3/4" INJECTION HEAD

PROPRIETARY AND CONFIDENTIAL
THE INFORMATION CONTAINED HEREIN IS PROPRIETARY TO CHECKPOINT SYSTEMS AND SHALL NOT BE REPRODUCED OR DISCLOSED IN WHOLE OR IN PART OR USED FOR ANY PURPOSE EXCEPT WHEN SUCH USER POSSESSES DIRECT WRITTEN AUTHORIZATION FROM CHECKPOINT SYSTEMS

-- DO NOT SCALE DRAWING --

DOC EFF - 3/4/2020			
		DWG. TITLE PART LISTS 1500 NON-ADJUST WET END	
REV 00	MKT-1500-WE-PL	SIZE B	
DRAWING NUMBER		SHEET 3 OF 5	

PARTS LIST 1" PLUNGER

W50M316CNH3H6 - 1" CERAMIC HLC

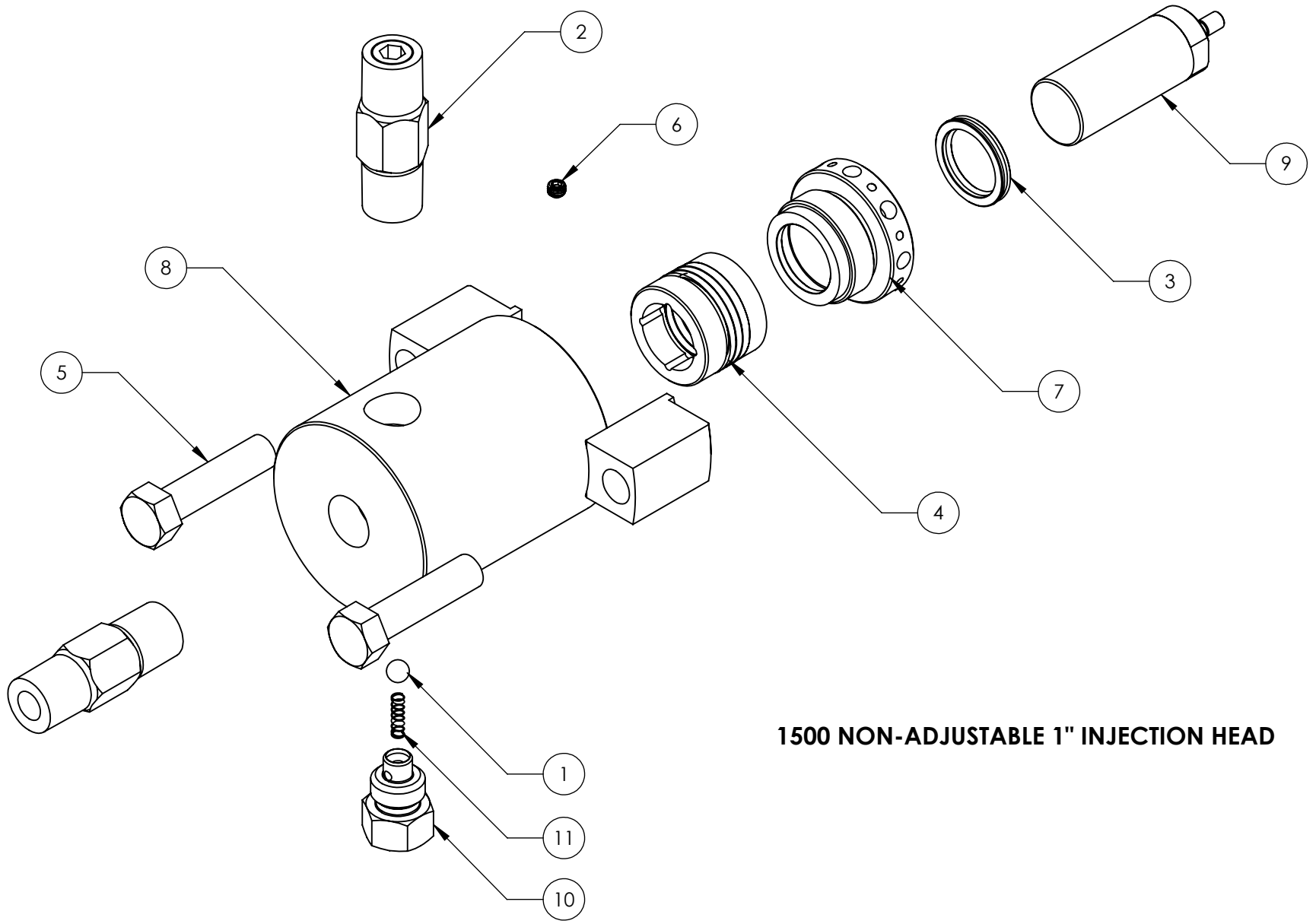
ITEM NO.	PART NUMBER	DESCRIPTION	QTY.
1	BB1CN05	BALL	1
2	CFM08S6H101	CHECK ASSY	2
3	CPWV11603	WIPER	1
4	NCS16H150118	SEAL	1
5	P5036-S	BOLT	2
6	P5080	SET SCREW	1
7	P50GNWS616	GLAND NUT	1
8	P50IHS6116	1500 HEAD	1
9	P50PLCE116	PLUNGER	1
10	PBSS112	BLEED SCREW	1
11	SPHC18001	SPRING	1

W50M316CNQ3Q6- 1" CERAMIC FKM

ITEM NO.	PART NUMBER	DESCRIPTION	QTY.
1	BB1CN05	BALL	1
2	CFM08S6Q101	CHECK ASSY	2
3	CPWV11603	WIPER	1
4	NCS16Q150118	SEAL	1
5	P5036-S	BOLT	2
6	P5080	SET SCREW	1
7	P50GNWS616	GLAND NUT	1
8	P50IHS6116	1500 HEAD	1
9	P50PLCE116	PLUNGER	1
10	PBSS112	BLEED SCREW	1
11	SPHC18001	SPRING	1

W50M316CNF3F6 - 1" CERAMIC FFKM

ITEM NO.	PART NUMBER	DESCRIPTION	QTY.
1	BB1CN05	BALL	1
2	CFM08S6F101	CHECK ASSY	2
3	CPWV11603	WIPER	1
4	NCS16F150118	SEAL	1
5	P5036-S	BOLT	2
6	P5080	SET SCREW	1
7	P50GNWS616	GLAND NUT	1
8	P50IHS6116	1500 HEAD	1
9	P50PLCE116	PLUNGER	1
10	PBSS112	BLEED SCREW	1
11	SPHC18001	SPRING	1



1500 NON-ADJUSTABLE 1" INJECTION HEAD

PROPRIETARY AND CONFIDENTIAL
THE INFORMATION CONTAINED HEREIN IS PROPRIETARY TO CHECKPOINT SYSTEMS AND SHALL NOT BE REPRODUCED OR DISCLOSED IN WHOLE OR IN PART OR USED FOR ANY PURPOSE EXCEPT WHEN SUCH USER POSSESSES DIRECT WRITTEN AUTHORIZATION FROM CHECKPOINT SYSTEMS

-- DO NOT SCALE DRAWING --

DOC EFF - 3/4/2020			
		DWG. TITLE PART LISTS 1500 NON-ADJUST WET END	
REV	00	MKT-1500-WE-PL	SIZE B
DRAWING NUMBER		SHEET 4 OF 5	

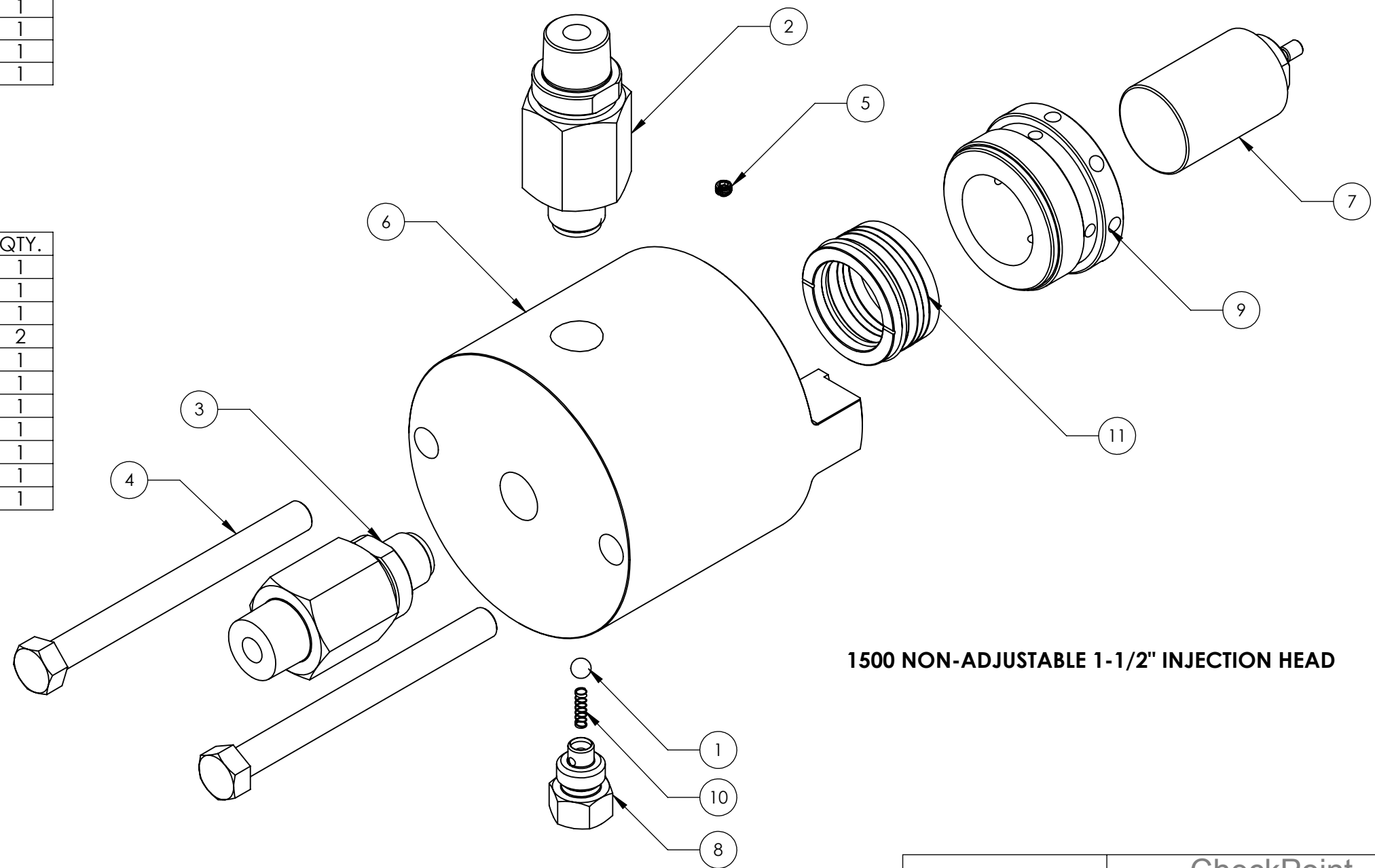
PARTS LIST 1-1/2" PLUNGER

W50D324CNQ3Q6 - 1-1/2" CERAMIC FKM

ITEM NO.	PART NUMBER	DESCRIPTION	QTY.
1	BB1CN05	BALL	1
2	CDM12S6Q101	DISCHARGE CHECK VALVE	1
3	CFM12SS6Q201	CHECK VALVE	1
4	HHBS60820550	BOLT	2
5	P5080	SET SCREW	1
6	P50IHS6124	1500 HEAD	1
7	P50PLCE124	PLUNGER	1
8	PBSS112	BLEED SCREW	1
9	PPNHC124-1	PACKING NUT	1
10	SPHC18001	SPRING	1
11	VZ524QLCP1	SEAL	1

W50D324CNF3F6 - 1-1/2" CERAMIC FFKM

ITEM NO.	PART NUMBER	DESCRIPTION	QTY.
1	BB1CN05	BALL	1
2	CDM12S6F101	DISCHARGE CHECK VALVE	1
3	CFM12SS6F201	CHECK VALVE	1
4	HHBS60820550	BOLT	2
5	P5080	SET SCREW	1
6	P50IHS6124	1500 HEAD	1
7	P50PLCE124	PLUNGER	1
8	PBSS112	BLEED SCREW	1
9	PPNHC124-1	PACKING NUT	1
10	SPHC18001	SPRING	1
11	VZ524FLCP1	SEAL	1



1500 NON-ADJUSTABLE 1-1/2" INJECTION HEAD

PROPRIETARY AND CONFIDENTIAL
THE INFORMATION CONTAINED HEREIN IS PROPRIETARY TO CHECKPOINT SYSTEMS AND SHALL NOT BE REPRODUCED OR DISCLOSED IN WHOLE OR IN PART OR USED FOR ANY PURPOSE EXCEPT WHEN SUCH USER POSSESSES DIRECT WRITTEN AUTHORIZATION FROM CHECKPOINT SYSTEMS

-- DO NOT SCALE DRAWING --

DOC EFF - 3/4/2020			
DWG. TITLE PART LISTS 1500 NON-ADJUST WET END			
REV	00	DRAWING NUMBER	MKT-1500-WE-PL
			SIZE B
DRAWING NUMBER			SHEET 5 OF 5