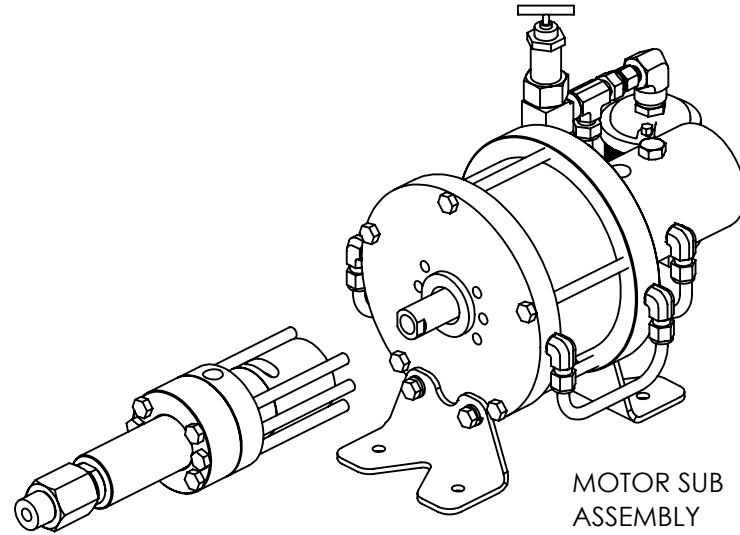
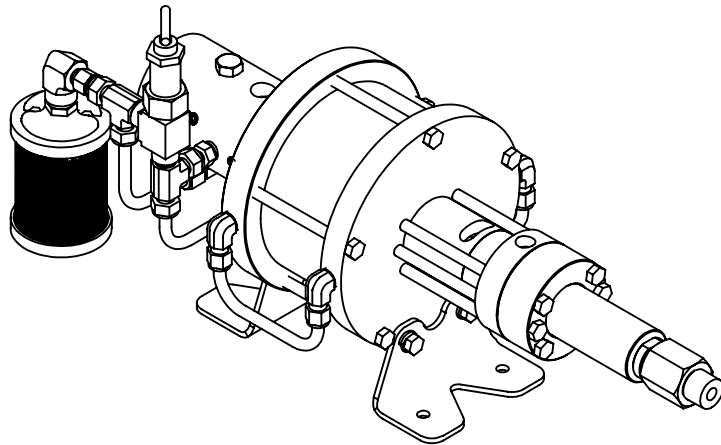


Call your CheckPoint representative  
about pre-assembled rebuild kits  
+ (504) 340-0770



WET END  
SHEET 2

MOTOR SUB  
ASSEMBLY

-- DO NOT SCALE DRAWING --

FOR REFERENCE ONLY  
CONTROLLED BY PDM

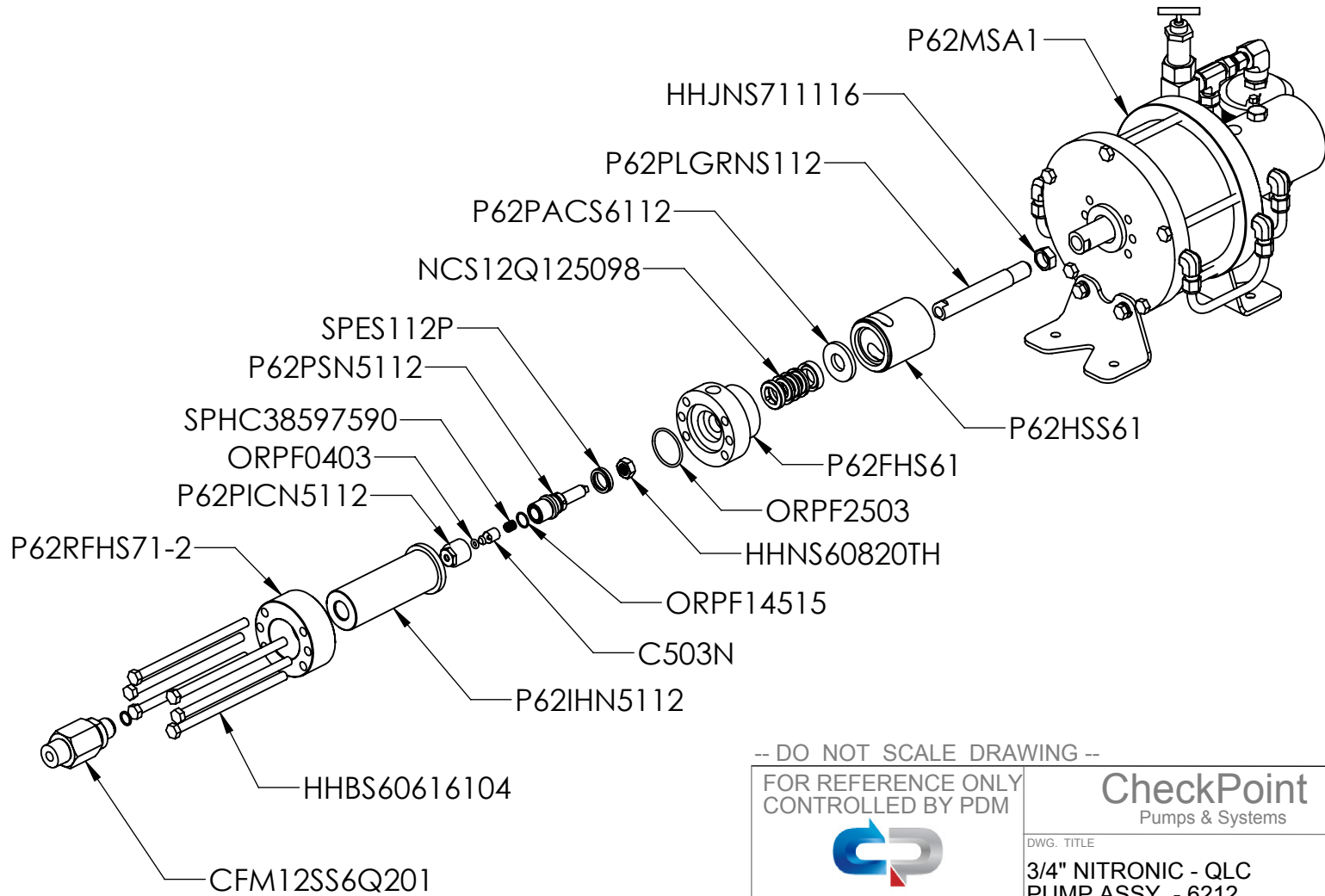


**CheckPoint**  
Pumps & Systems

DWG. TITLE  
3/4" NITRONIC - QLC  
PUMP ASSY. - 6212

REV. 004	P6212NNQ3	SIZE A
-------------	-----------	-----------

DRAWING NUMBER



-- DO NOT SCALE DRAWING --

FOR REFERENCE ONLY  
CONTROLLED BY PDM



**CheckPoint**  
Pumps & Systems

DWG. TITLE  
3/4" NITRONIC - QLC  
PUMP ASSY. - 6212

REV.	ASSY #
004	P6212NNQ3

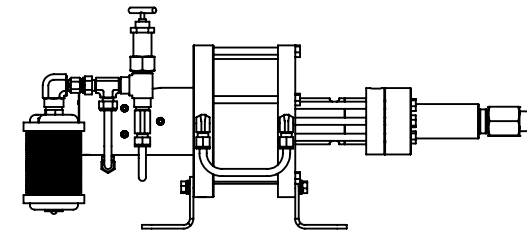
SIZE
A

DRAWING NUMBER

**P6212NNQ3 PARTS LIST**

PART NUMBER	DESCRIPTION	QTY.
Assembled	O-RING	1
C503N	1/2" OD POPPET	1
CFM12SS6Q201	SUCTION CHECK	1
HHBS60616104	BOLT	6
HHJNS711116	JAM NUT	1
HHNS60820TH	JAM NUT	1
NCS12Q125098	PACKING SEAL	1
ORPF2503	O-RING	1
ORPF14515	O-RING	1
P62FHS61	HEAD FLANGE	1
P62HSS61	SPACER HEAD	1
P62IHN5112	HEAD	1
P62MSA1	MOTOR	1
P62PACS6112	SEAL RETAINER	1
P62PICN5112	PISTON CAP	1
P62PLGRNS112	PLUNGER ROD	1
P62PSS6112	PISTON	1
P62RFHS71-2	RETAINING RING	1
SPES112P	PISTON SEAL	1
SPHC38597590	SPRING	1

NOTE: EFFECTIVE 06/01/19  
PART# P62PLGRBPK12 & Z6250755QT  
WAS REPLACED WITH PART # NCS12Q125098



**HEAD REBUILD KIT PART# K62HRK112**

PART NUMBER	DESCRIPTION	QTY.
ORPF0403	O - RING	1
ORPF2503	O - RING	1
ORPF14515	O - RING	1
KFM12S6Q201	CHECK KIT	1
SPES112P	PISTON SEAL	1
SPHC38597590	SPRING	1
NCS12Q125098	PACKING SEAL	1

**COMPLETE SPARES KIT PART# KS162112NQ34**

PART NUMBER	DESCRIPTION	QTY.
K62MRU	MOTOR REBUILD KIT	1
K62HRK112	HEAD REBUILD KIT	1

-- DO NOT SCALE DRAWING --

FOR REFERENCE ONLY  
CONTROLLED BY PDM



**CheckPoint**  
Pumps & Systems

DWG. TITLE  
**3/4" NITRONIC - QLC  
PUMP ASSY. - 6212**

REV. <b>004</b>	ASSY # <b>P6212NNQ3</b>	SIZE <b>A</b>
--------------------	----------------------------	------------------

DRAWING NUMBER