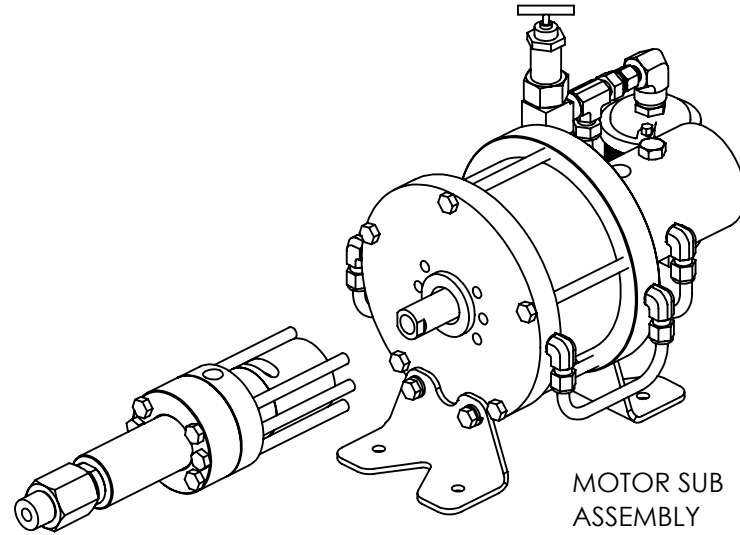
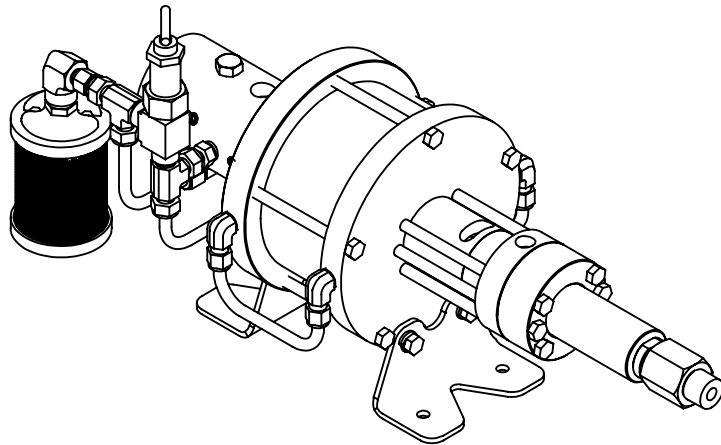


Call your CheckPoint representative
about pre-assembled rebuild kits
+ (504) 340-0770



WET END
SHEET 2

MOTOR SUB
ASSEMBLY

-- DO NOT SCALE DRAWING --

FOR REFERENCE ONLY
CONTROLLED BY PDM

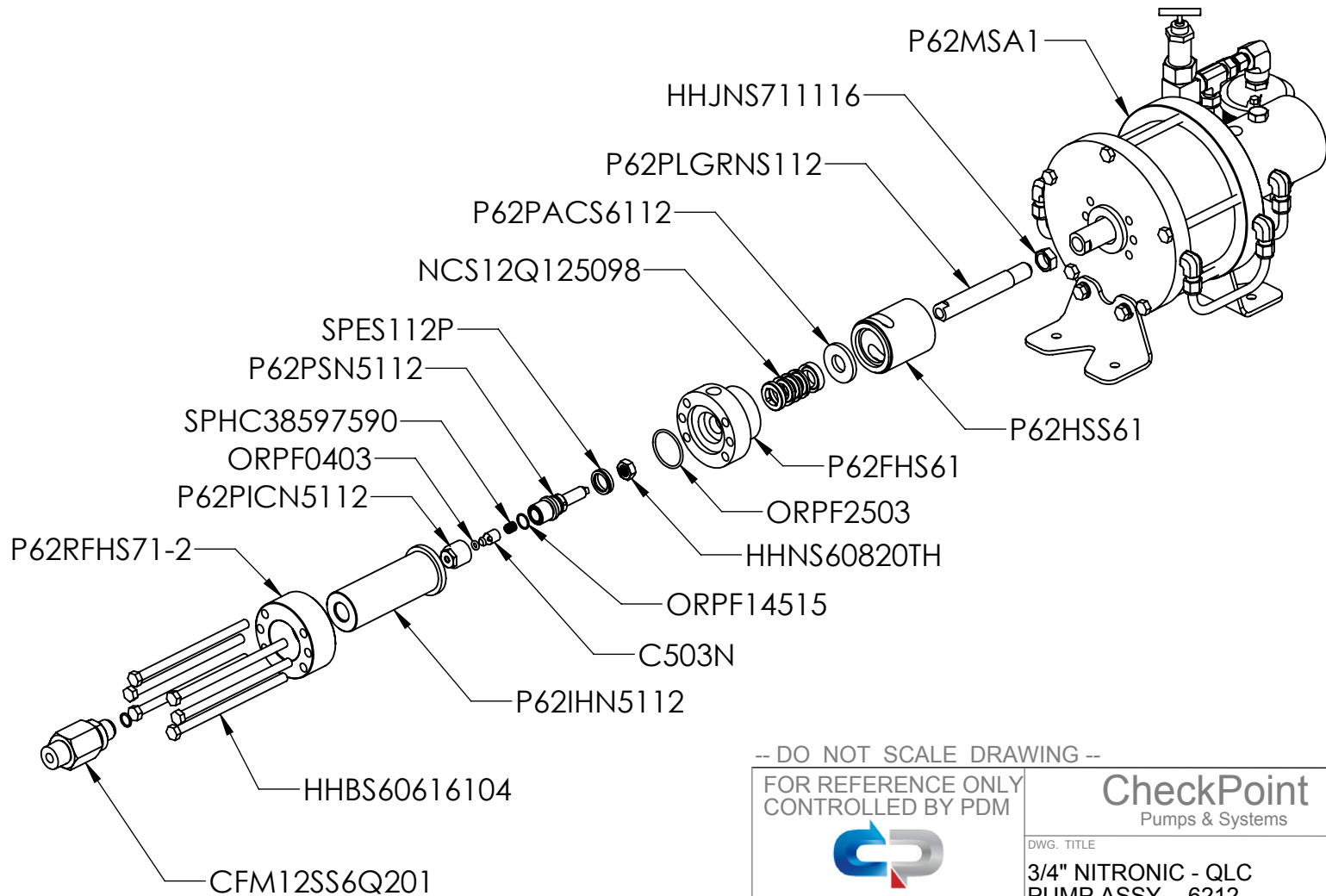


CheckPoint
Pumps & Systems

DWG. TITLE
3/4" NITRONIC - QLC
PUMP ASSY. - 6212

REV.	004	P6212NNQ3	SIZE A
------	-----	-----------	-----------

DRAWING NUMBER



-- DO NOT SCALE DRAWING --

FOR REFERENCE ONLY
CONTROLLED BY PDM



CheckPoint
Pumps & Systems

DWG. TITLE
3/4" NITRONIC - QLC
PUMP ASSY. - 6212

REV.	ASSY #
004	P6212NNQ3

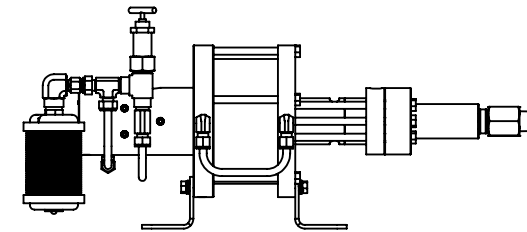
SIZE
A

DRAWING NUMBER

P6212NNQ3 PARTS LIST

PART NUMBER	DESCRIPTION	QTY.
Assembled	O-RING	1
C503N	1/2" OD POPPET	1
CFM12SS6Q201	SUCTION CHECK	1
HHBS60616104	BOLT	6
HHJNS711116	JAM NUT	1
HHNS60820TH	JAM NUT	1
NCS12Q125098	PACKING SEAL	1
ORPF2503	O-RING	1
ORPF14515	O-RING	1
P62FHS61	HEAD FLANGE	1
P62HSS61	SPACER HEAD	1
P62IHN5112	HEAD	1
P62MSA1	MOTOR	1
P62PACS6112	SEAL RETAINER	1
P62PICN5112	PISTON CAP	1
P62PLGRNS112	PLUNGER ROD	1
P62PSS6112	PISTON	1
P62RFHS71-2	RETAINING RING	1
SPES112P	PISTON SEAL	1
SPHC38597590	SPRING	1

NOTE: EFFECTIVE 06/01/19
PART# P62PLGRBPK12 & Z6250755QT
WAS REPLACED WITH PART # NCS12Q125098



HEAD REBUILD KIT PART# K62HRK112

PART NUMBER	DESCRIPTION	QTY.
ORPF0403	O - RING	1
ORPF2503	O - RING	1
ORPF14515	O - RING	1
KFM12S6Q201	CHECK KIT	1
SPES112P	PISTON SEAL	1
SPHC38597590	SPRING	1
NCS12Q125098	PACKING SEAL	1

COMPLETE SPARES KIT PART# KS162112NQ34

PART NUMBER	DESCRIPTION	QTY.
K62MRU	MOTOR REBUILD KIT	1
K62HRK112	HEAD REBUILD KIT	1

-- DO NOT SCALE DRAWING --

FOR REFERENCE ONLY
CONTROLLED BY PDM



CheckPoint
Pumps & Systems

DWG. TITLE
**3/4" NITRONIC - QLC
PUMP ASSY. - 6212**

REV. 004	ASSY # P6212NNQ3	SIZE A
--------------------	----------------------------	------------------

DRAWING NUMBER