
































PART NUMBER	DESCRIPTION	QTY.	Mat. Codes	Temp. Range
CSEATSS61425-1	SEAT	1	S6	NA
CBODYSS61425-1	BODY	1	S6	NA
CPOPN51425	POPPET	1	XL	NA
SPHVCKHC01	SPRING	1	HC	NA
ORPF0603	O-RING	1	PF	-29/204
ORPF1302	O-RING	1	PF	-29/204

**KFM12S6Q201**

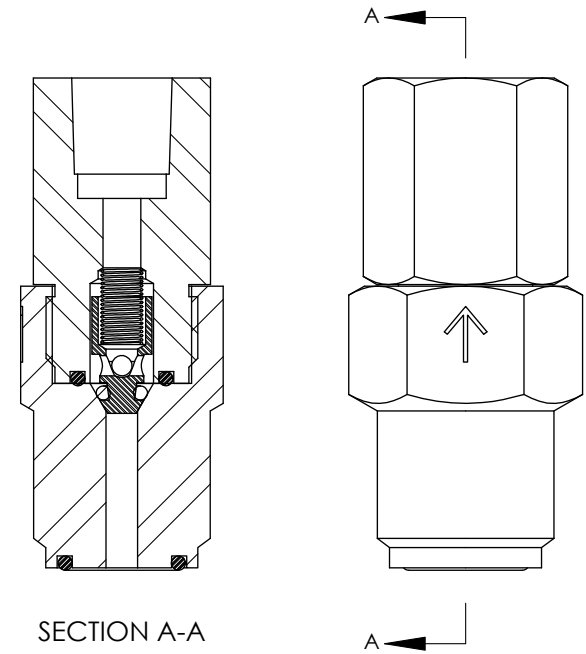
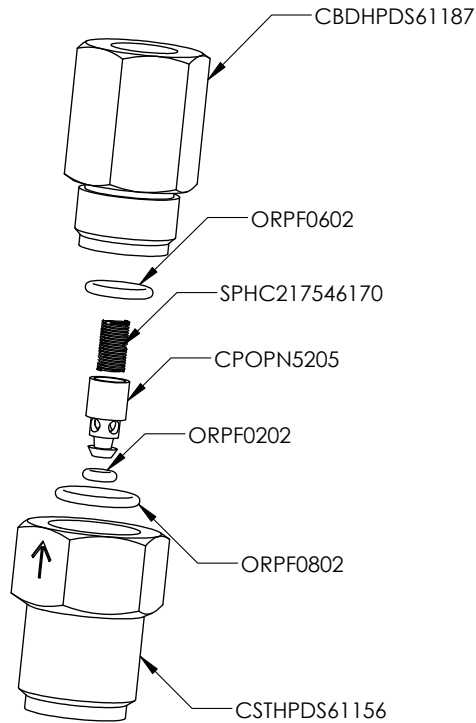
Call your CheckPoint representative about pre-assembled rebuild kits.  
+1 (504) 340-0770  
Check Valve Rebuild Kit - KFM12S6Q201- Contains both o-rings and spring

-- DO NOT SCALE DRAWING --

FOR REFERENCE ONLY CONTROLLED BY PDM		<b>CheckPoint</b> Pumps & Systems	
 <small>21356 MARION LANE MANDRVILLE, LA 70471 USA TEL 504.340.0770 -- FAX 888.217.6402</small>		DWG. TITLE SUCTION CHECK ASSEMBLY	
DRAWING NUMBER		SIZE	
CSM12S6Q101		A	


**PROPRIETARY AND CONFIDENTIAL**

THE INFORMATION CONTAINED HEREIN IS PROPRIETARY TO CHECKPOINT SYSTEMS AND SHALL NOT BE REPRODUCED OR DISCLOSED IN WHOLE OR IN PART OR USED FOR ANY PURPOSE EXCEPT WHEN SUCH USER POSSESSES DIRECT WRITTEN AUTHORIZATION FROM CHECKPOINT SYSTEMS



Call your CheckPoint representative about pre-assembled rebuild kits.  
+1 (504) 340-0770  
Check Valve Rebuild Kit - KFF04S6Q301

-- DO NOT SCALE DRAWING --

FOR REFERENCE ONLY CONTROLLED BY PDM		<b>CheckPoint</b> Pumps & Systems	
 <small>21356 MARION LANE MANDRILLE, LA 70471 USA TEL 504.340.0770 -- FAX 888.217.6402</small>		DWG. TITLE DISCHARGE CHECK ASSEMBLY	
		CDF04S6Q101	
DRAWING NUMBER		Page 16 of 17	

**PROPRIETARY AND CONFIDENTIAL**  
THE INFORMATION CONTAINED HEREIN IS PROPRIETARY TO CHECKPOINT SYSTEMS AND SHALL NOT BE REPRODUCED OR DISCLOSED IN WHOLE OR IN PART OR USED FOR ANY PURPOSE EXCEPT WHEN SUCH USER POSSESSES DIRECT WRITTEN AUTHORIZATION FROM CHECKPOINT SYSTEMS





PART NUMBER	DESCRIPTION	QTY.	Mat. Codes	Temp. Range
CSTHPDS61156	SEAT	1	S6	NA
CBDHPDS61187	BODY	1	S6	NA
CPOPN5205	POPPET	1	XL	NA
SPHC217546170	SPRING	1	HC	NA
ORPF0602	O-RING	1	PF	-29/204
ORPF0802	O-RING	1	PF	-29/204
ORPF0202	O-RING	1	PF	-29/204

**KFF04S6Q301**

Call your CheckPoint representative about pre-assembled rebuild kits.  
+1 (504) 340-0770  
Check Valve Rebuild Kit - KFF04S6Q301- Contains o-rings and spring

-- DO NOT SCALE DRAWING --

FOR REFERENCE ONLY CONTROLLED BY PDM		 <b>CheckPoint</b> Pumps & Systems	
 <small>21356 MARION LANE MANDRVILLE, LA 70471 USA TEL 504.340.0770 -- FAX 888.217.6402</small>		<small>DWG. TITLE</small> <b>DISCHARGE CHECK ASSEMBLY</b>	
<small>DRAWING NUMBER</small> <b>CDF04S6Q101</b>		<small>SIZE</small> <b>A</b>	

**PROPRIETARY AND CONFIDENTIAL**

THE INFORMATION CONTAINED HEREIN IS PROPRIETARY TO CHECKPOINT SYSTEMS AND SHALL NOT BE REPRODUCED OR DISCLOSED IN WHOLE OR IN PART OR USED FOR ANY PURPOSE EXCEPT WHEN SUCH USER POSSESSES DIRECT WRITTEN AUTHORIZATION FROM CHECKPOINT SYSTEMS