

**SUPPLY**  
VIEW FROM REAR

-- DO NOT SCALE DRAWING --

FOR REFERENCE ONLY  
CONTROLLED BY PDM



**CheckPoint**  
Pumps & Systems

DWG. TITLE  
MOTOR SUB-ASSY 5400

P54MSA1

DRAWING NUMBER


SIZE  
**A**

PROPRIETARY AND CONFIDENTIAL

THE INFORMATION CONTAINED HEREIN IS PROPRIETARY TO CHECKPOINT SYSTEMS AND SHALL NOT BE REPRODUCED OR DISCLOSED IN WHOLE OR IN PART OR USED FOR ANY PURPOSE EXCEPT WHEN SUCH USER POSSESSES DIRECT WRITTEN AUTHORIZATION FROM CHECKPOINT SYSTEMS

| PART NUMBER    | DESCRIPTION           | QTY. | Mat. Codes | Temp. Range |
|----------------|-----------------------|------|------------|-------------|
| NV0500-1       | NEEDLE VALVE ASSEMBLY | 1    | S6         | NA          |
| PASS6158G      | ALIGNMENT SCREW       | 1    | S6         | NA          |
| PHOS6158G      | HOUSING               | 1    | S6         | NA          |
| P2511          | ALIGNMENT PIN         | 2    | S0         | NA          |
| PBFLGMS6180    | BOTTOM FLANGE         | 1    | S6         | NA          |
| PCYLM6180      | CYLINDER MOTOR        | 1    | S6         | NA          |
| PTCOVS6158G    | TOP COVER             | 1    | S6         | NA          |
| PSLVS6158G     | SLEEVE                | 1    | S6         | NA          |
| PSPDL158       | SPOOL                 | 1    | DL         | -40/121     |
| PDSTC158G      | D SLIDE               | 2    | TC         | -268/288    |
| PSLDL158G      | SPACER SLEEVE         | 1    | DL         | -40/120     |
| PURODN5158G    | UPPER ROD             | 1    | XL         | NA          |
| PRETBS7103     | RETAINER              | 1    | S7         | NA          |
| BB1CN03        | CERAMIC BALL          | 1    | CN         | NA          |
| PPRLS625       | PISTON ROD            | 1    | S6         | NA          |
| HHBS608131290  | BOLT                  | 8    | S6         | NA          |
| HHBS6112100771 | BOLT                  | 8    | S6         | NA          |
| PTFLGMS6180    | TOP FLANGE            | 1    | S6         | NA          |
| PULS6258G      | UPPER LEG             | 1    | S6         | NA          |
| PLLS625G       | LOWER LEG             | 1    | S6         | NA          |

-- DO NOT SCALE DRAWING --

|   |  |                                      |           |
|---|--|--------------------------------------|-----------|
| FOR REFERENCE ONLY<br>CONTROLLED BY PDM   |  | <b>CheckPoint</b><br>Pumps & Systems |           |
| <br><small>21356 MARION LANE<br/>MANDOVILLE, LA 70471 USA<br/>TEL 504.340.0770 -- FAX 888.217.6402</small> |  | DWG. TITLE<br>MOTOR SUB-ASSY 5400    |           |
|   |  | P54MSA1                              | SIZE<br>A |
| DRAWING NUMBER  |  |                                      |           |

**PROPRIETARY AND CONFIDENTIAL**

THE INFORMATION CONTAINED HEREIN IS PROPRIETARY TO CHECKPOINT SYSTEMS AND SHALL NOT BE REPRODUCED OR DISCLOSED IN WHOLE OR IN PART OR USED FOR ANY PURPOSE EXCEPT WHEN SUCH USER POSSESSES DIRECT WRITTEN AUTHORIZATION FROM CHECKPOINT SYSTEMS

| PART NUMBER    | DESCRIPTION | QTY. | Mat. Codes | Temp. Range         |
|----------------|-------------|------|------------|---------------------|
| UCSUR1444004   | U-CUP SEAL  | 1    | UR         | -40/100             |
| UCSUR1322804   | U-CUP SEAL  | 1    | UR         | -40/100             |
| UCSUR1201604   | U-CUP SEAL  | 1    | UR         | -40/100             |
| UCSUR1120804   | U-CUP SEAL  | 3    | UR         | -40/100             |
| OPTPTFE180P    | PISTON SEAL | 1    | TM/AF      | -268/288,<br>10/200 |
| ORHN7004       | O-RING      | 2    | HN         | -29/160             |
| ORHN8004       | O-RING      | 2    | HN         | -29/160             |
| ORHN0703       | O-RING      | 1    | HN         | -29/160             |
| ORHN1903       | O-RING      | 1    | HN         | -29/160             |
| ORHN3002       | O-RING      | 1    | HN         | -29/160             |
| ORHN1402       | O-RING      | 1    | HN         | -29/160             |
| PRBDL116       | BUSHING     | 1    | DL         | -40/121             |
| PRBDL108       | BUSHING     | 1    | DL         | -268/288            |
| RRSS6212       | SNAP RING   | 1    | S6         | NA                  |
| RRBS6220       | SNAP RING   | 1    | S6         | NA                  |
| HWSHS6116      | FLAT WASHER | 2    | S6         | NA                  |
| HWSHS6108      | FLAT WASHER | 1    | S6         | NA                  |
| HSILMPE112     | MUFFLER     | 1    | NA         | NA                  |
| HHPLUGS6158G   | NPT PLUG    | 1    | S6         | NA                  |
| FT8MSEL8N316   | ELBOW       | 4    | S6         | NA                  |
| FT8MSC8N316    | CONNECTOR   | 4    | S6         | NA                  |
| FT8N48SCH80316 | NIPPLE      | 2    | S6         | NA                  |
| FT8-8-8FT-SS   | TEE         | 2    | S6         | NA                  |
| FT12FN08MN316  | ADAPTER     | 1    | S6         | NA                  |

**K54MRU**

Call your CheckPoint representative about pre-assembled rebuild kits. +1 (504) 340-0770  
**Motor Rebuild Kit - K54MRU** - Contains all seals in the motor (air) end of the 5408 series pump.

-- DO NOT SCALE DRAWING --

FOR REFERENCE ONLY  
CONTROLLED BY PDM



**CheckPoint**  
Pumps & Systems

DWG. TITLE  
MOTOR SUB-ASSY 5400

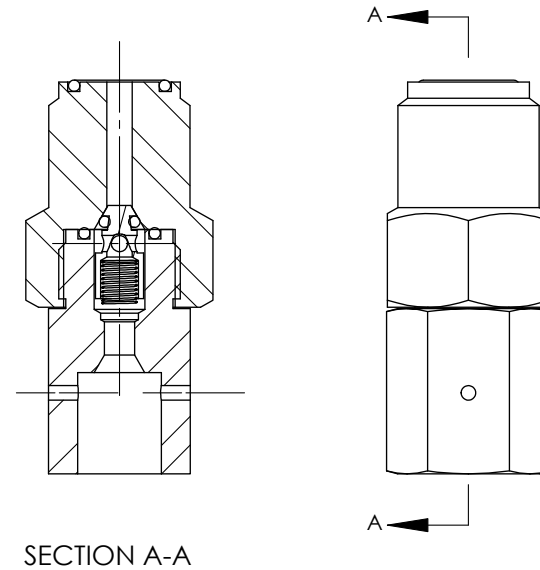
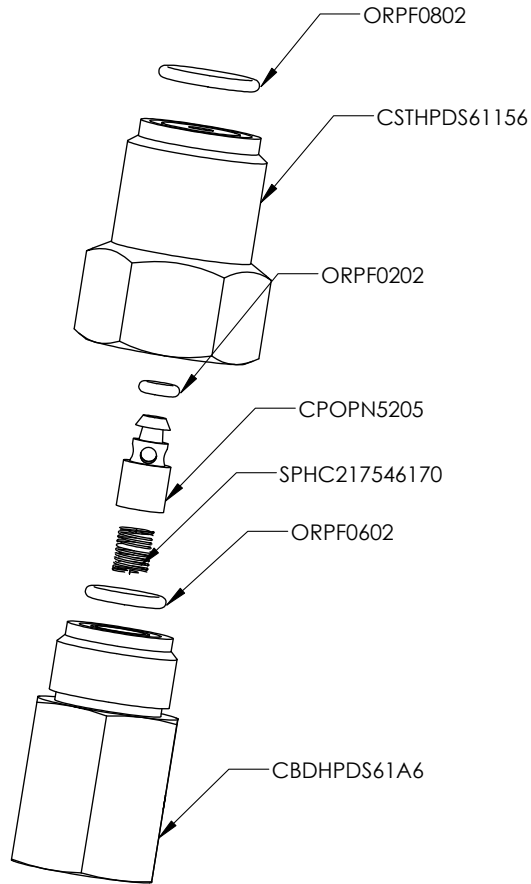
**P54MSA1**

SIZE  
**A**

DRAWING NUMBER

PROPRIETARY AND CONFIDENTIAL

THE INFORMATION CONTAINED HEREIN IS PROPRIETARY TO CHECKPOINT SYSTEMS AND SHALL NOT BE REPRODUCED OR DISCLOSED IN WHOLE OR IN PART OR USED FOR ANY PURPOSE EXCEPT WHEN SUCH USER POSSESSES DIRECT WRITTEN AUTHORIZATION FROM CHECKPOINT SYSTEMS



Call your CheckPoint representative about pre-assembled rebuild kits.  
+1 (504) 340-0770  
Check Valve Rebuild Kit - KFF04S6Q301

-- DO NOT SCALE DRAWING --

FOR REFERENCE ONLY  
CONTROLLED BY PDM



**CheckPoint**  
Pumps & Systems

DWG. TITLE  
DISCHARGE CHECK ASSEMBLY

CDA06S6Q101

SIZE  
A

DRAWING NUMBER

PROPRIETARY AND CONFIDENTIAL


THE INFORMATION CONTAINED HEREIN IS PROPRIETARY TO CHECKPOINT SYSTEMS AND SHALL NOT BE REPRODUCED OR DISCLOSED IN WHOLE OR IN PART OR USED FOR ANY PURPOSE EXCEPT WHEN SUCH USER POSSESSES DIRECT WRITTEN AUTHORIZATION FROM CHECKPOINT SYSTEMS

| PART NUMBER   | DESCRIPTION | QTY. | Mat. Codes | Temp. Range |
|---------------|-------------|------|------------|-------------|
| CBDHPDS61A6   | BODY        | 1    | S6         | NA          |
| CSTHPDS61156  | SEAT        | 1    | S6         | NA          |
| CPOPN5205     | POPPET      | 1    | XL         | NA          |
| SPHC217546170 | SPRING      | 1    | HC         | NA          |
| ORPF0202      | O-RING      | 1    | PF         | -29/204     |
| ORPF0602      | O-Ring      | 1    | PF         | -29/204     |
| ORPF0802      | O-Ring      | 1    | PF         | -29/204     |

**KFF04S6Q301**

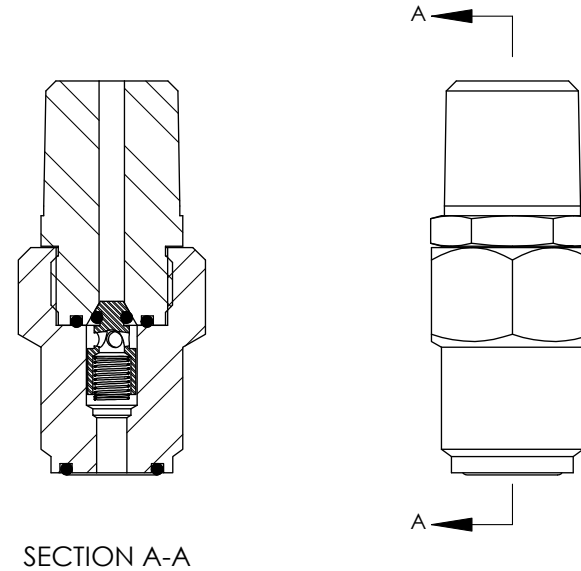
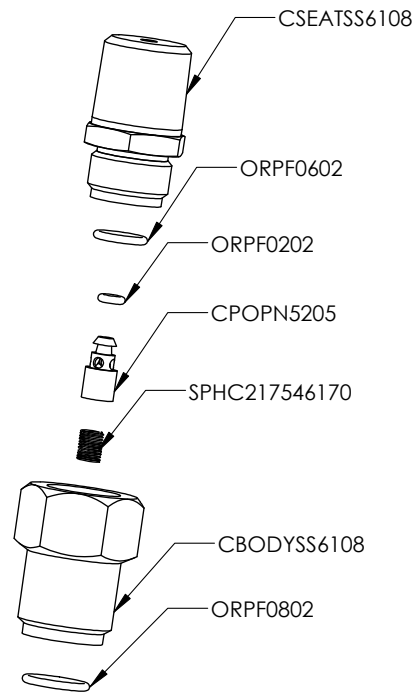
Call your CheckPoint representative about pre-assembled rebuild kits.  
+1 (504) 340-0770  
Check Valve Rebuild Kit - KFF04S6Q301

-- DO NOT SCALE DRAWING --

|  |  |  |  |
|--|--|--|--|
| FOR REFERENCE ONLY<br>CONTROLLED BY PDM  |  | <b>CheckPoint</b><br>Pumps & Systems   |  |
|   |  | DWG. TITLE<br>DISCHARGE CHECK ASSEMBLY |  |
| 21356 MARION LANE<br>MANDERVILLE, LA 70471 USA<br>TEL 504.340.0770 -- FAX 888.217.6402 |  | CDA06S6Q101                            |  |
| DRAWING NUMBER   |  | SIZE<br><b>A</b>                       |  |


**PROPRIETARY AND CONFIDENTIAL**

THE INFORMATION CONTAINED HEREIN IS PROPRIETARY TO CHECKPOINT SYSTEMS AND SHALL NOT BE REPRODUCED OR DISCLOSED IN WHOLE OR IN PART OR USED FOR ANY PURPOSE EXCEPT WHEN SUCH USER POSSESSES DIRECT WRITTEN AUTHORIZATION FROM CHECKPOINT SYSTEMS



Call your CheckPoint representative about pre-assembled rebuild kits.  
+1 (504) 340-0770  
Check Valve Rebuild Kit - KFF04S6Q301

-- DO NOT SCALE DRAWING --

|   |  |                                      |  |
|---|--|--------------------------------------|--|
| FOR REFERENCE ONLY<br>CONTROLLED BY PDM   |  | <b>CheckPoint</b><br>Pumps & Systems |  |
|  |  | DWG. TITLE<br>SUCTION CHECK ASSEMBLY |  |
| CFM08S6Q201   |  | SIZE<br><b>A</b>                     |  |
| DRAWING NUMBER  |  |                                      |  |


**PROPRIETARY AND CONFIDENTIAL**  
THE INFORMATION CONTAINED HEREIN IS PROPRIETARY TO CHECKPOINT SYSTEMS AND SHALL NOT BE REPRODUCED OR DISCLOSED IN WHOLE OR IN PART OR USED FOR ANY PURPOSE EXCEPT WHEN SUCH USER POSSESSES DIRECT WRITTEN AUTHORIZATION FROM CHECKPOINT SYSTEMS

| PART NUMBER   | DESCRIPTION | QTY. | Mat. Codes | Temp. Range |
|---------------|-------------|------|------------|-------------|
| CBODYSS6108   | BODY        | 1    | S6         | NA          |
| CSEATSS6108   | SEAT        | 1    | S6         | NA          |
| CPOPN5205     | POPPET      | 1    | XL         | NA          |
| SPHC217546170 | SPRING      | 1    | HC         | NA          |
| ORPF0202      | O-RING      | 1    | PF         | -29/204     |
| ORPF0602      | O-Ring      | 1    | PF         | -29/204     |
| ORPF0802      | O-Ring      | 1    | PF         | -29/204     |

**KFF04S6Q301**

Call your CheckPoint representative about pre-assembled rebuild kits.  
+1 (504) 340-0770  
Check Valve Rebuild Kit - KFF04S6Q301- Contains o-rings and spring

-- DO NOT SCALE DRAWING --

|   |   |
|---|---|
| FOR REFERENCE ONLY<br>CONTROLLED BY PDM<br><br><br><small>21356 MARION LANE<br/>MANDERVILLE, LA 70471 USA<br/>TEL 504.340.0770 -- FAX 888.217.6402</small> | <b>CheckPoint</b><br>Pumps & Systems<br>DWG. TITLE<br><b>SUCTION CHECK ASSEMBLY</b> |
| <b>CFM08S6Q201</b><br><small>DRAWING NUMBER</small>   | <small>SIZE</small><br><b>A</b>   |

**PROPRIETARY AND CONFIDENTIAL**

THE INFORMATION CONTAINED HEREIN IS PROPRIETARY TO CHECKPOINT SYSTEMS AND SHALL NOT BE REPRODUCED OR DISCLOSED IN WHOLE OR IN PART OR USED FOR ANY PUPOSE EXCEPT WHEN SUCH USER POSSESSES DIRECT WRITTEN AUTHORIZATION FROM CHECKPOINT SYSTEMS