

D

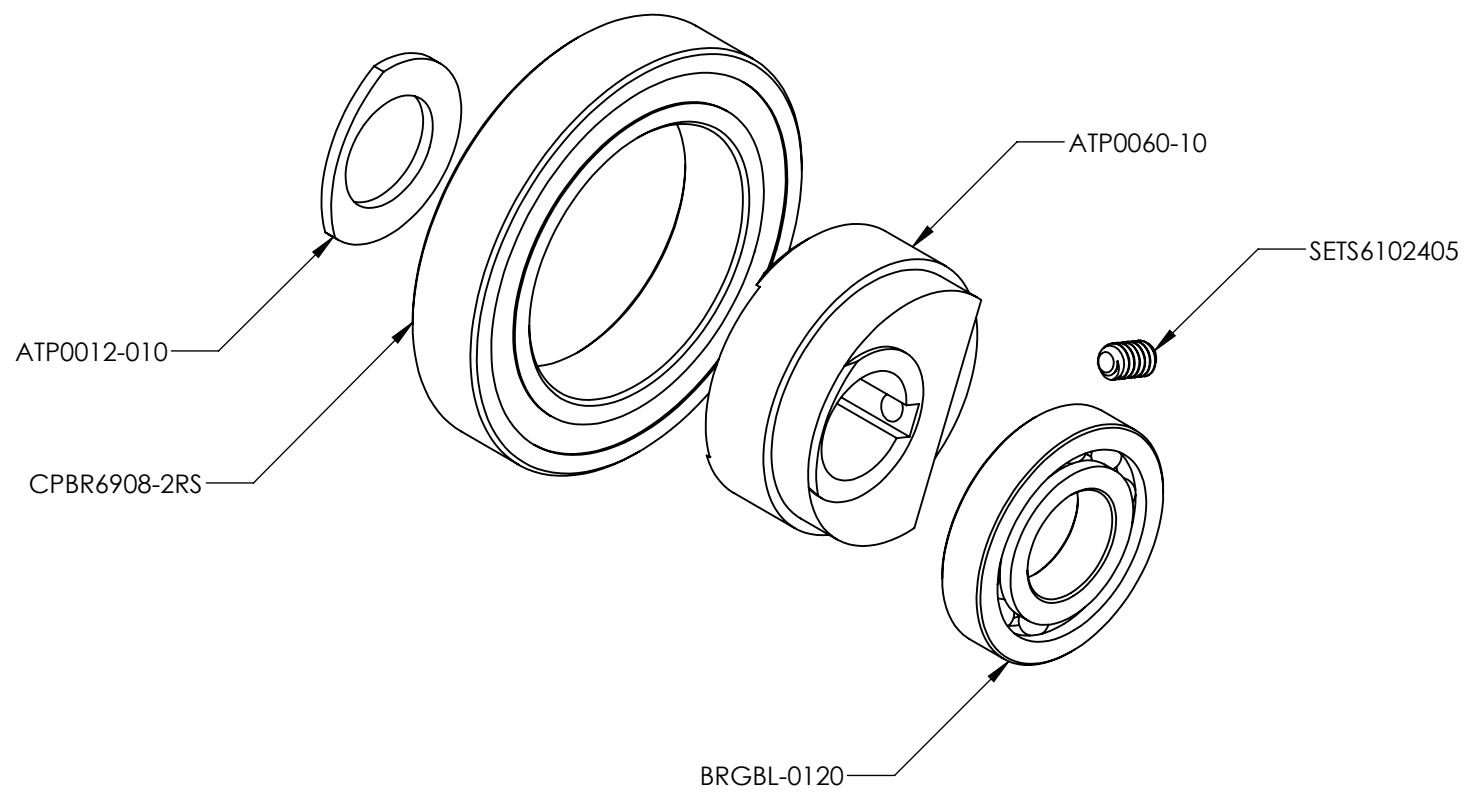
D

C

C

B

B



CAM KIT

NUMBER	DESCRIPTION	QTY.
ATP0012-010	WASHER	1
ATP0060-10	CAM	1
BRGBL-0120	BALL BEARING	1
CPBR6908-2RS	DRIVE BEARING	1
SETS6102405	SCREW	1

A

A

PROPRIETARY AND CONFIDENTIAL
 THE INFORMATION CONTAINED HEREIN IS PROPRIETARY TO CHECKPOINT SYSTEMS AND SHALL NOT BE REPRODUCED OR DISCLOSED IN WHOLE OR IN PART OR USED FOR ANY PURPOSE EXCEPT WHEN SUCH USER POSSESSES DIRECT WRITTEN AUTHORIZATION FROM CHECKPOINT SYSTEMS

-- DO NOT SCALE DRAWING --

DOC EFF - 03/21/2024			
		DWG. TITLE KITS ATP CAM	
REV 00	MKT-ATP-KATCM001	SIZE B	
DRAWING NUMBER		SHEET 1 OF 1	