

**PUMP CUTAWAYS AND DRAWINGS**

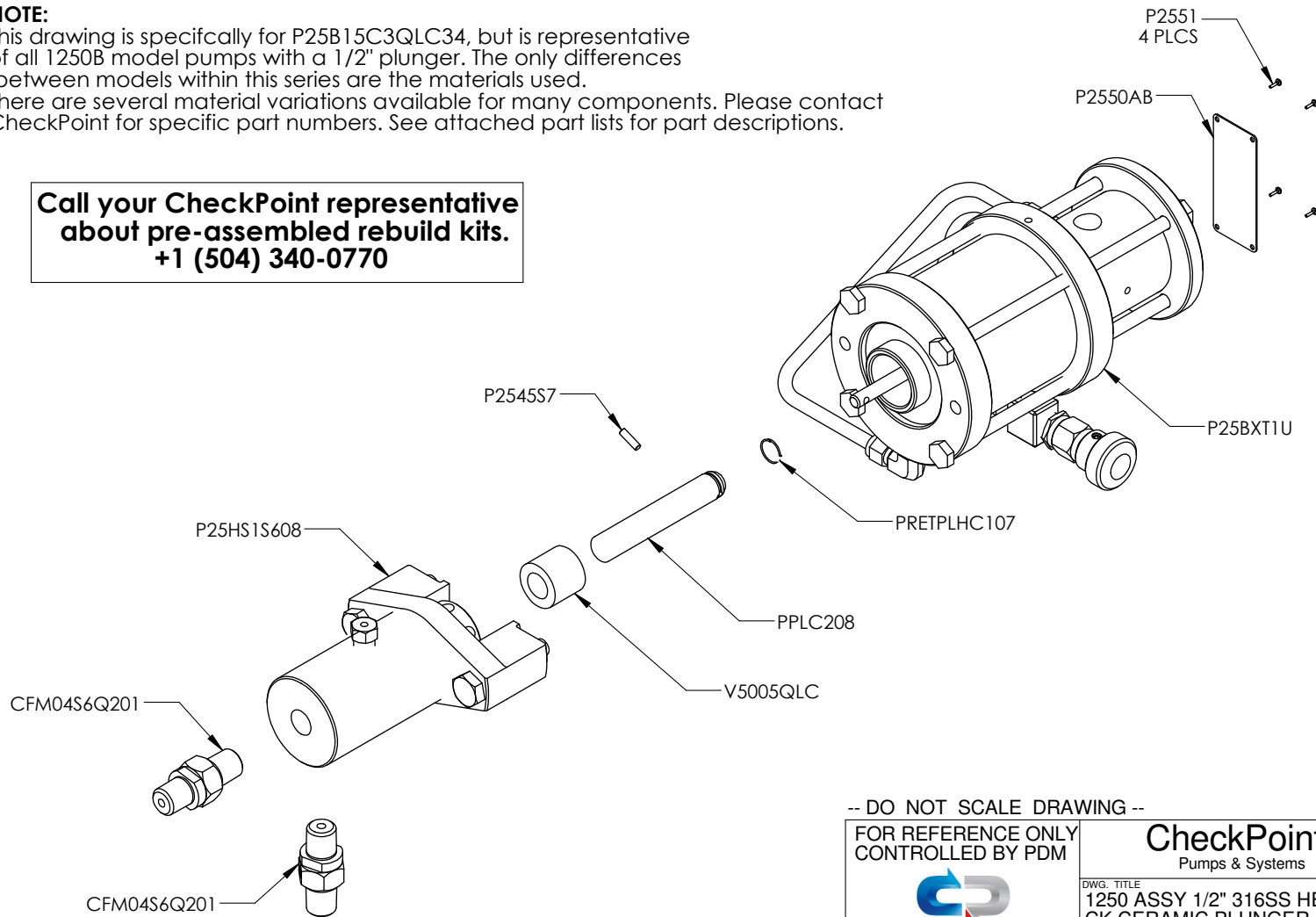
On the following pages are external and internal pump drawings with part numbers and material codes.  
The following table identifies each material code.

MATERIAL CODES	
303 Stainless Steel	S3
304 Stainless Steel	S4
316 Stainless Steel	S6
17-4 PH Stainless Steel - HH 1150	S7
420 Stainless Steel	S0
6061 Aluminum	A6
Acetal	AC
Aflas®	AF
Buna-N®	BU
Ceramic - EverWear™	CE
Ceramic - NBD200™	CN
Delrin®	DL
Duplex 2205	D4
Super Duplex 2507	D5
Elgiloy®	EL
FKM	PF
FFKM	FK
Hastelloy® C276	HC
HNBR	HN
Iron	FE
Low carbon steel	ST
Monel®	MO
PVC	PV
PEEK	PK
Teflon® - Bronze Filled	TB
Teflon® - Carbon Filled	TC
Teflon® - Glass Filled	TG
Teflon® - Mica Filled	TM
Teflon® - Polyimide Filled	TP
Teflon® - Virgin	TF
Titanium	TI
Ultra High Molecular Weight Polyethylene (UHMWPE)	UH
Urethane	UR
Viton®	VI
XWL	XL

**NOTE:**

This drawing is specifically for P25B15C3QLC34, but is representative of all 1250B model pumps with a 1/2" plunger. The only differences between models within this series are the materials used. There are several material variations available for many components. Please contact CheckPoint for specific part numbers. See attached part lists for part descriptions.

**Call your CheckPoint representative  
about pre-assembled rebuild kits.  
+1 (504) 340-0770**



-- DO NOT SCALE DRAWING --

FOR REFERENCE ONLY  
CONTROLLED BY PDM



**CheckPoint**  
Pumps & Systems

DWG. TITLE  
1250 ASSY 1/2" 316SS HEAD  
CK CERAMIC PLUNGER

REV.	-.03	P25B15C3QLC34	SIZE A
------	------	---------------	-----------

DRAWING NUMBER

PROPRIETARY AND CONFIDENTIAL

THE INFORMATION CONTAINED HEREIN IS PROPRIETARY TO CHECKPOINT SYSTEMS AND SHALL NOT BE REPRODUCED OR DISCLOSED IN WHOLE OR IN PART OR USED FOR ANY PURPOSE EXCEPT WHEN SUCH USER POSSESSES DIRECT WRITTEN AUTHORIZATION FROM CHECKPOINT SYSTEMS

PART NUMBER	DESCRIPTION	QTY.	MATERIAL CODES	TEMPERATURE (°C) MIN/MAX
P25BXT1U	1250 SS MOTOR SUB-ASSY UNIVERSAL	1	NA	NA
P25HS1S608	1250 HEAD SUB-ASSY - 1/2" 316SS	1	NA	NA
CFM04S6Q201	1/4" SS 2-PIECE FAILSAFE CHECK SUB-ASSY - PFE 1PSIG - 1250	2	S6/PF	-29/204
V5005QLC	1/2" X 7/8" PFE-PEEK-TEFLON PACKING - ADJUSTABLE	1	PF/TM/PK	-29/204, -268/288, -73/288
P2545S7	CROSS PIN - PLUNGER - 1250 - H	1	S7	NA
PPLC208	PLUNGER HEAD	1	CE	NA
PRETPLHC107	CROSS PIN RETAINER - 1250 SERIES PLUNGER	1	HC	NA
P2550AB	1250 AB Serial # Plate	1	S6	NA
P2551	1250-1500 SERIAL PLATE U-DRIVE	4	S6	NA

**K25PLRCU08**

Call your CheckPoint representative about pre-assembled rebuild kits.  
+1 (504) 340-0770

Plunger Kit - K25PLRCU08

Check Valve Rebuild Kit - KFM04S6Q201


Motor Rebuild - K25MRU

Spool kit - K25SPT16

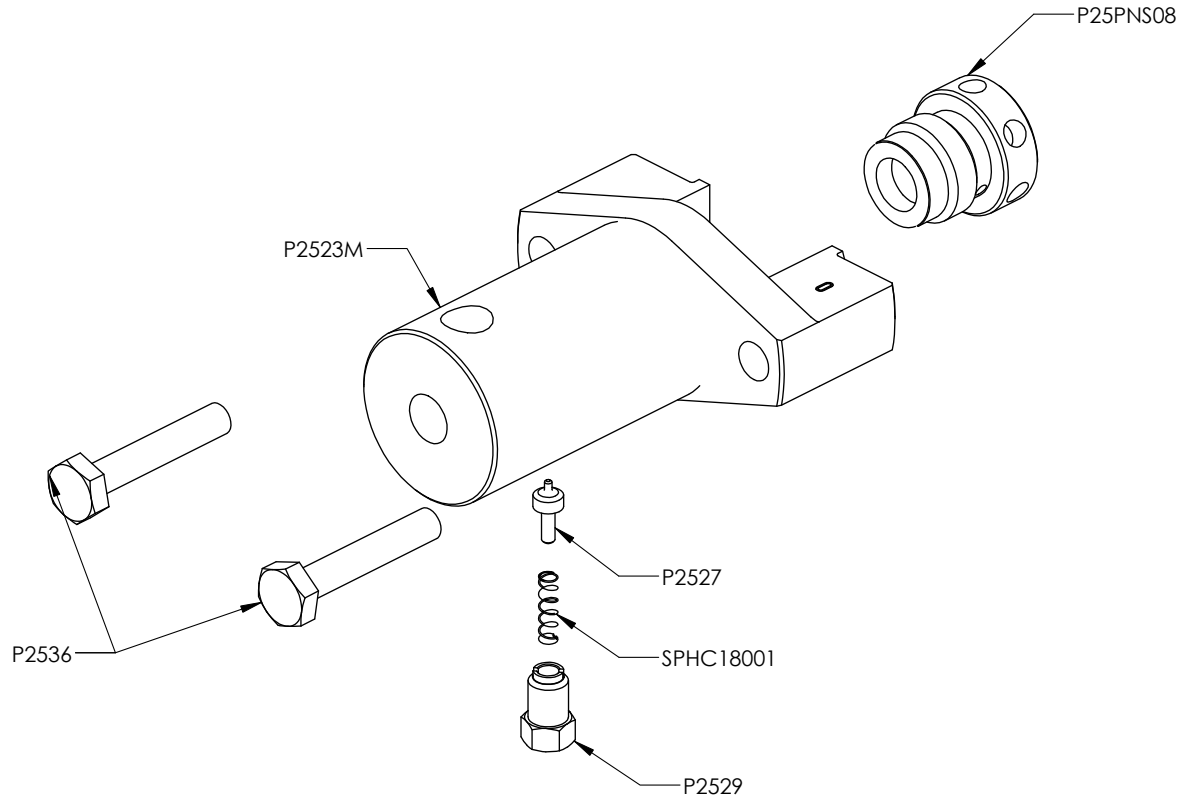
Complete Rebuild - KS12515Q34

- Includes Motor Rebuild Kit
- Check Valve Rebuild Kit
- Packing
- Spool Kit
- D-Slides

-- DO NOT SCALE DRAWING --

<p>FOR REFERENCE ONLY CONTROLLED BY PDM</p>  <p><b>CHECKPOINT</b> PUMPS &amp; SYSTEMS <small>21356 MARION LANE MANDÉVILLE, LA 70571 USA TEL 504.340.0770 -- FAX 888.217.6402</small></p>	<p><b>CheckPoint</b> Pumps &amp; Systems</p> <p>DWG. TITLE <b>1250 ASSY 1/2" 316SS HEAD CK CERAMIC PLUNGER</b></p>	
<p>REV. <b>-.03</b></p>	<p><b>P25B15C3QLC34</b></p>	<p>SIZE <b>A</b></p>
<p>DRAWING NUMBER</p>		

**PROPRIETARY AND CONFIDENTIAL**  
THE INFORMATION CONTAINED HEREIN IS PROPRIETARY TO CHECKPOINT SYSTEMS AND SHALL NOT BE REPRODUCED OR DISCLOSED IN WHOLE OR IN PART OR USED FOR ANY PURPOSE EXCEPT WHEN SUCH USER POSSESSES DIRECT WRITTEN AUTHORIZATION FROM CHECKPOINT SYSTEMS



-- DO NOT SCALE DRAWING --

FOR REFERENCE ONLY  
CONTROLLED BY PDM



**CheckPoint**  
Pumps & Systems

DWG. TITLE  
1250 HEAD SUB-ASSY  
1/2" 316SS

REV. -.03 P25HS1S608

SIZE  
A


DRAWING NUMBER

PROPRIETARY AND CONFIDENTIAL

THE INFORMATION CONTAINED HEREIN IS PROPRIETARY TO CHECKPOINT SYSTEMS AND SHALL NOT BE REPRODUCED OR DISCLOSED IN WHOLE OR IN PART OR USED FOR ANY PURPOSE EXCEPT WHEN SUCH USER POSSESSES DIRECT WRITTEN AUTHORIZATION FROM CHECKPOINT SYSTEMS

PART NUMBER	DESCRIPTION	QTY.	MATERIAL CODE	TEMPERATURE (°C) MIN/MAX	NOTES
P2523M	1 PIECE INJECTION HEAD MACHINED - 1250	1	S6	NA	UP TO 12,000 PSIG
P2527	BLEED POPPET - 1250 - 316SS	1	S6	NA	
P2529	BLEED SCREW	1	S6	NA	
P2536	HH Bolt - 5/16 - 18 x 1.75" Bolt 1250 316SS	2	S6	NA	
SPHC18001	SPRING - 1250-1500 BLEED	1	HC	NA	
P25PNS08	PACKING NUTS	1	S6	NA	

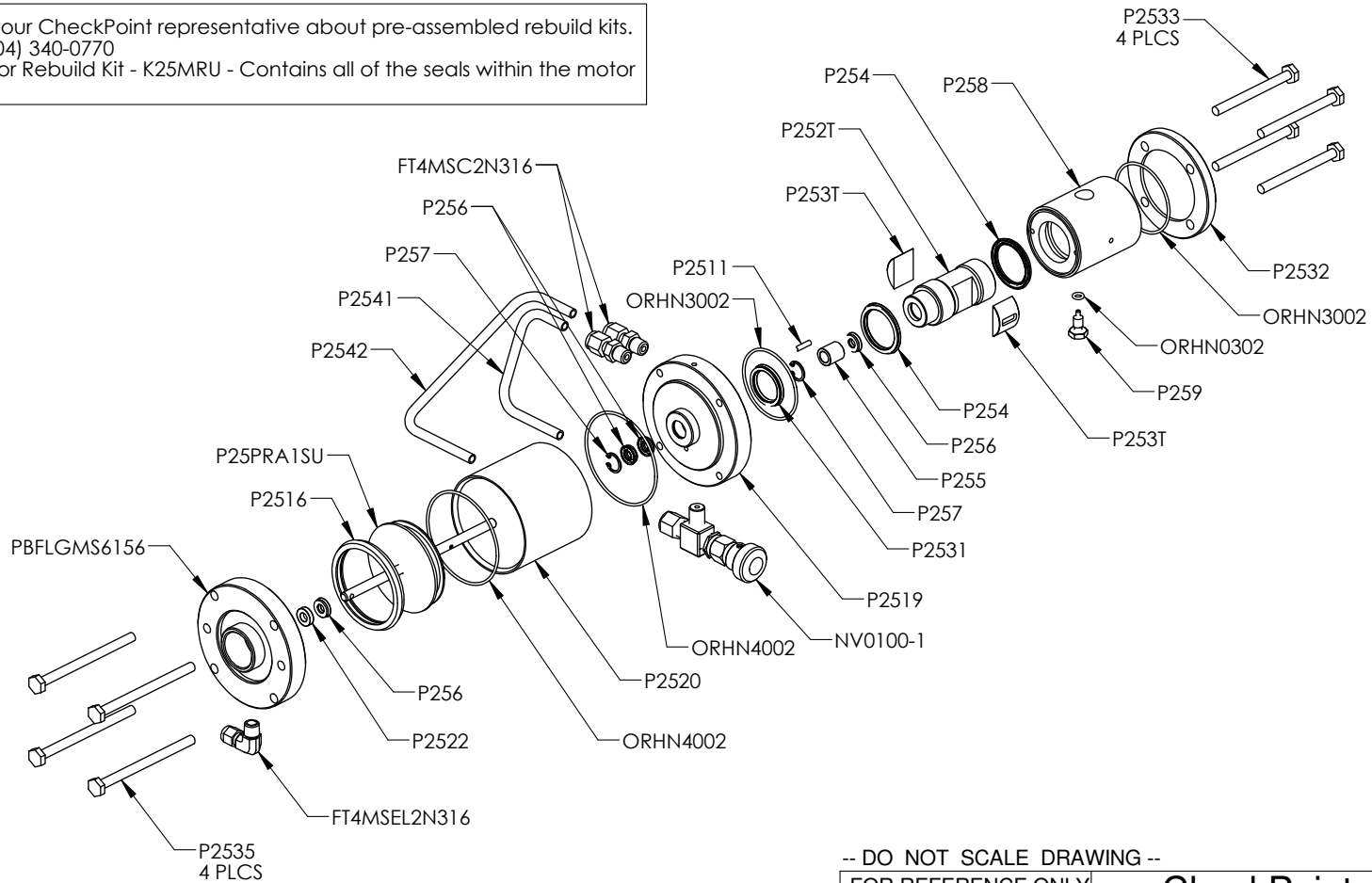
-- DO NOT SCALE DRAWING --

FOR REFERENCE ONLY CONTROLLED BY PDM		<b>Checkpoint</b> Pumps & Systems	
 <b>CHECKPOINT</b> PUMPS & SYSTEMS <small>21356 MARION LANE          MONROEVILLE, LA 70471 USA          TEL 504.340.0770 -- FAX 888.217.6402</small>		DWG. TITLE 1250 HEAD SUB-ASSY 1/2" 316SS	
		REV. -.03	P25HS1S608
DRAWING NUMBER			

PROPRIETARY AND CONFIDENTIAL

THE INFORMATION CONTAINED HEREIN IS PROPRIETARY TO CHECKPOINT SYSTEMS AND SHALL NOT BE REPRODUCED OR DISCLOSED IN WHOLE OR IN PART OR USED FOR ANY PURPOSE EXCEPT WHEN SUCH USER POSSESSES DIRECT WRITTEN AUTHORIZATION FROM CHECKPOINT SYSTEMS

Call your CheckPoint representative about pre-assembled rebuild kits.  
+1 (504) 340-0770  
- Motor Rebuild Kit - K25MRU - Contains all of the seals within the motor



-- DO NOT SCALE DRAWING --

FOR REFERENCE ONLY  
CONTROLLED BY PDM



**CheckPoint**  
Pumps & Systems

DWG. TITLE  
1250 SS MOTOR  
SUB-ASSY UNIVERSAL

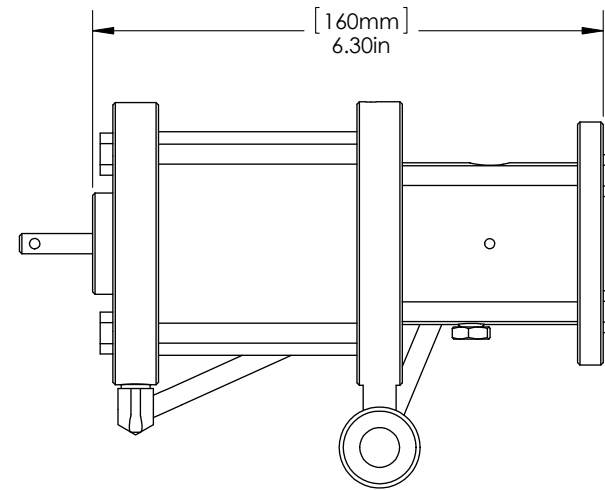
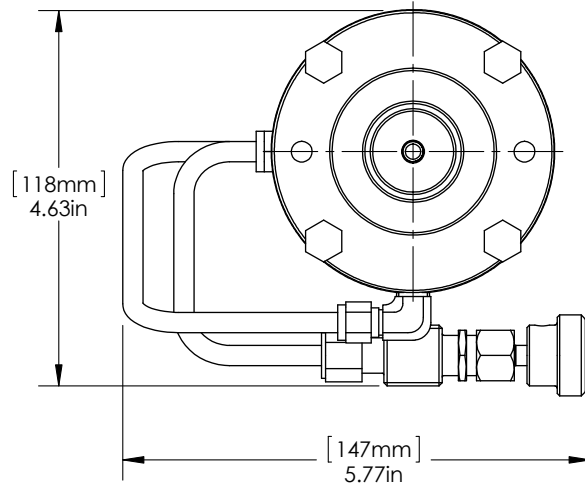
REV. -.03 P25BXT1U

SIZE  
A

DRAWING NUMBER

PROPRIETARY AND CONFIDENTIAL

THE INFORMATION CONTAINED HEREIN IS PROPRIETARY TO CHECKPOINT SYSTEMS AND SHALL NOT BE REPRODUCED OR DISCLOSED IN WHOLE OR IN PART OR USED FOR ANY PURPOSE EXCEPT WHEN SUCH USER POSSESSES DIRECT WRITTEN AUTHORIZATION FROM CHECKPOINT SYSTEMS



-- DO NOT SCALE DRAWING --

FOR REFERENCE ONLY  
CONTROLLED BY PDM



**CheckPoint**  
Pumps & Systems

DWG. TITLE  
1250 SS MOTOR  
SUB-ASSY UNIVERSAL

REV.  
-.03

P25BXT1U

SIZE  
A

DRAWING NUMBER

PROPRIETARY AND CONFIDENTIAL

THE INFORMATION CONTAINED HEREIN IS PROPRIETARY TO CHECKPOINT SYSTEMS AND SHALL NOT BE REPRODUCED OR DISCLOSED IN WHOLE OR IN PART OR USED FOR ANY PURPOSE EXCEPT WHEN SUCH USER POSSESSES DIRECT WRITTEN AUTHORIZATION FROM CHECKPOINT SYSTEMS

PART NUMBER	DESCRIPTION	QTY.	Material Codes	Temperature (°C) Min/Max	NOTES
NV0100-1	ASSY - NEEDLE VALVE	1	NA	NA	
P2532	TOP COVER	1	S6	NA	
P2519	TOP FLANGES 1250&1500 - MOTOR	1	S6	NA	
P2520	MOTOR CYLINDERS	1	S6	NA	
P259	ALIGNMENT SCREW -- 1250	1	S6	NA	
P2511	ALIGNMENT PIN - 1250-1500 - 420 SS	1	S0	N/A	
P2533	HH BOLT - HOUSING 1/4" X 2.75"	4	S6	NA	
P2535	HH BOLT - CYLINDER 1/4" - 20 X 3.50"	4	S6	NA	
P2541	TOP TUBE	1	S6	NA	
P2542	BOTTOM TUBE	1	S6	NA	
P252T	SPOOL	1	TC	-184 TO +260	FULL STROKE (1")
P255	SPOOL SPACER	1	TC	-184 TO +260	
P256	SEAL - PISTON ROD - 1250-1500	4	UR	-40/100	
P257	SNAP RING - INTERNAL 1250-1500	2	S6	N/A	
P2522	ROD BUSHING - 1250 - UHMWPE - ANNEALED	1	AC	-50 TO +90	
P2516	CROWN SEAL - PISTON 1250 UR95 - P2516 PER MAS	1	UR	-40 TO +100	
P2531	SEAL - TOP FLANGE 1250-1500 - UR95	1	UR	-40/100	
P254	SEAL - SPOOL 1250-1500	2	UR	-40/100	
ORHN0302	O-RING ALIGNMENT SCREW 1250-1500 HNBR	1	HN	-29/160	
ORHN3002	O-RING HOUSING 1250-1500	2	HN	-29/160	
ORHN4002	O-RING CYLINDER - 1250	2	HN	-29/160	
P258	HOUSING	1	S6	NA	
FT4MSEL2N316	1/4" TUBE X 1/8" MNPT ELBOW	1	S6	NA	
FT4MSC2N316	1/4" TUBE X 1/8" MNPT CONNECTOR	2	S6	NA	
P253T	D-SLIDE	2	TC	-184 TO +260	
PBFLGMS6156	BTTM FLANGE - 1250&1500 MOTOR	1	S6	NA	
P25PRA1SU	Friction Weld Piston - 1250	1	S6	NA	NEW STYLE <sup>1</sup>

**K25SPT16**

**K25MRU**

<sup>1</sup>PISTON/ROD SUBASSY (P25PRA2SU) IS NOW AN INTEGRAL WELDED COMPONENT AND REPLACES PARTS LABELED AS P2579 ON PRIOR PARTS LIST.

Call your CheckPoint representative about pre-assembled rebuild kits. +1 (504) 340-0770  
 Motor Rebuild Kit - K25MRU - Contains all of the seals in the motor (air) end of the 1250 series pump  
 Spool Kit - K25SPT16

**PROPRIETARY AND CONFIDENTIAL**

THE INFORMATION CONTAINED HEREIN IS PROPRIETARY TO CHECKPOINT SYSTEMS AND SHALL NOT BE REPRODUCED OR DISCLOSED IN WHOLE OR IN PART OR USED FOR ANY PURPOSE EXCEPT WHEN SUCH USER POSSESSES DIRECT WRITTEN AUTHORIZATION FROM CHECKPOINT SYSTEMS

-- DO NOT SCALE DRAWING --

FOR REFERENCE ONLY  
CONTROLLED BY PDM



**CheckPoint**  
Pumps & Systems

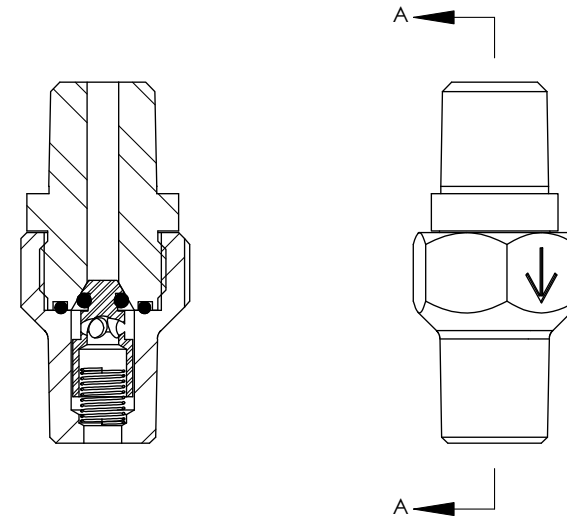
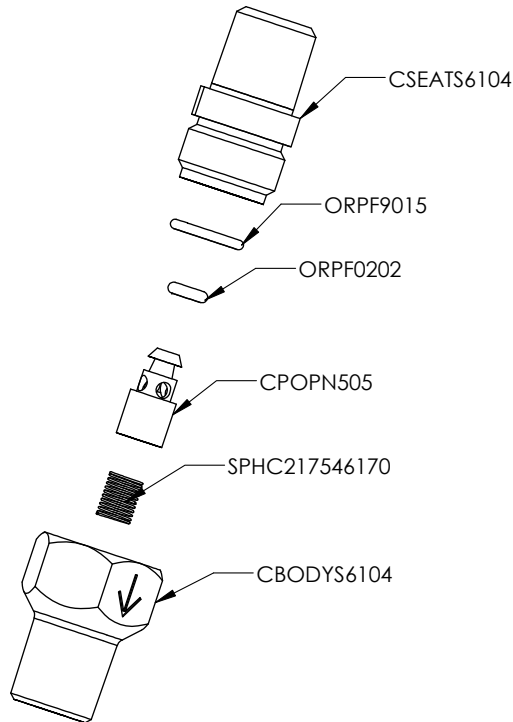
DWG. TITLE  
1250 SS MOTOR  
SUB-ASSY UNIVERSAL

REV. **-.03** **P25BXT1U**

SIZE  
**A**

DRAWING NUMBER






SECTION A-A

Call your CheckPoint representative about pre-assembled rebuild kits.  
+1 (504) 340-0770  
Check Valve Rebuild Kits - KFM04S6Q201

-- DO NOT SCALE DRAWING --

FOR REFERENCE ONLY CONTROLLED BY PDM		<b>CheckPoint</b> Pumps & Systems	
		DWG. TITLE ASSEMBLY - 1/4" FAILSAFE - CHECK	
REV.	-.03	CFM04S6Q201	SIZE A
DRAWING NUMBER			


PROPRIETARY AND CONFIDENTIAL

THE INFORMATION CONTAINED HEREIN IS PROPRIETARY TO CHECKPOINT SYSTEMS AND SHALL NOT BE REPRODUCED OR DISCLOSED IN WHOLE OR IN PART OR USED FOR ANY PURPOSE EXCEPT WHEN SUCH USER POSSESSES DIRECT WRITTEN AUTHORIZATION FROM CHECKPOINT SYSTEMS

PART NUMBER	DESCRIPTION	QTY.	Material Code	Temperature (°C) Min/Max	NOTES
CSEATS6104	CHECK SEAT - SUCT	1	S6	NA	UP TO 10,000 PSIG
CBODYS6104	CHECK BODY - SUCT	1	S6	NA	UP TO 10,000 PSIG
CPOPN5205	POPPET - CHECK	1	XL	NA	
SPHC217546170 *	SPRING, COMP, Ø.156 x 1.6	<b>KFM04S6Q201</b>	HC	NA	1 PSIG CRACKING PRESSURE
ORPF0202 *	O-RING 1/4" Failsafe Check -- OR-006FC75 - FLUROCHEM 75 O-RING		PF	-40/225	
ORPF9015 *	O-RING 1/4" FAILSAFE BODY FACE		PF	-40/225	

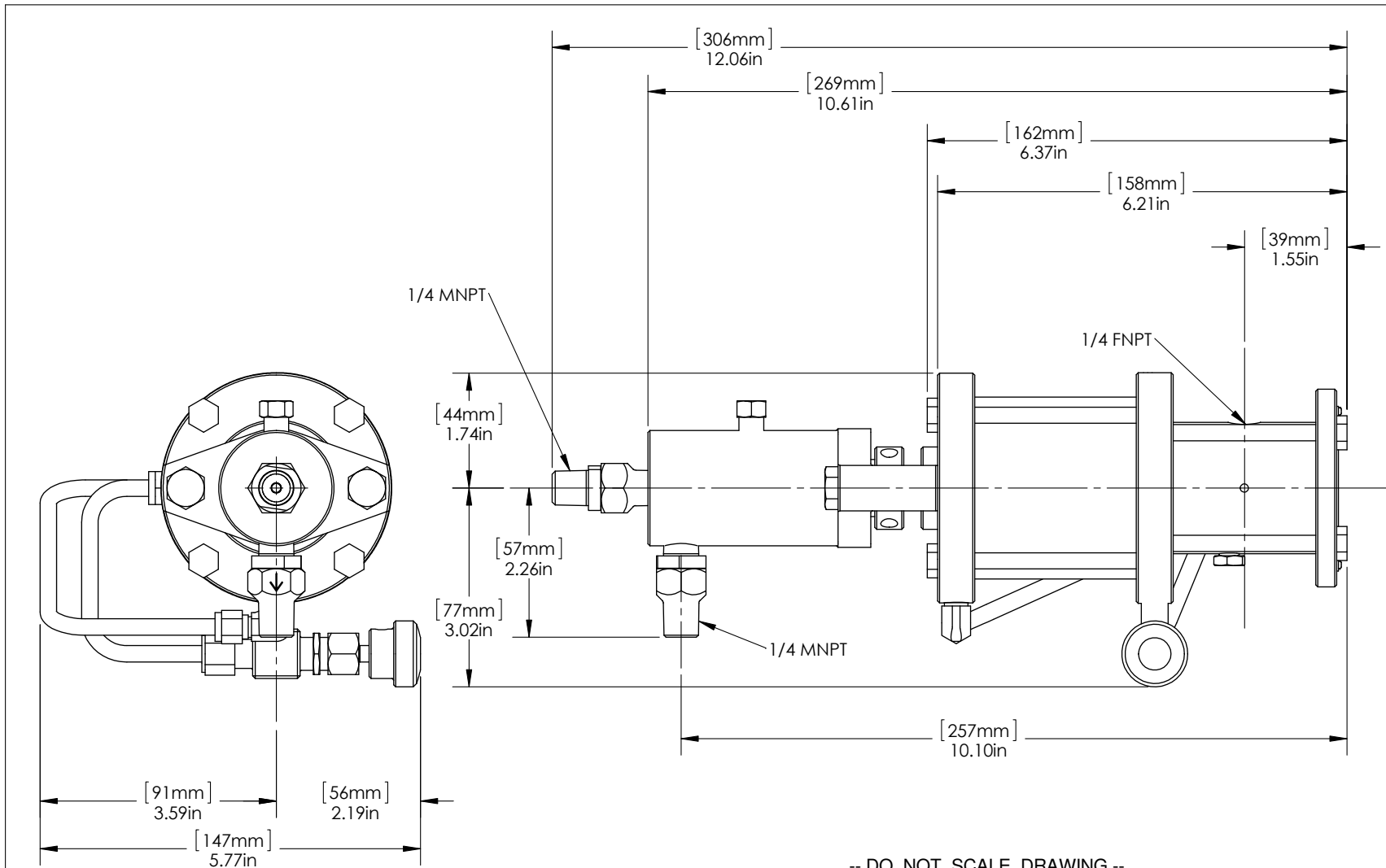
Call your CheckPoint representative about pre-assembled rebuild kits.  
+1 (504) 340-0770  
\*Check Valve Rebuild Kit - KFM04S6Q201 - Contains both o-rings and springs

-- DO NOT SCALE DRAWING --

FOR REFERENCE ONLY CONTROLLED BY PDM   <small>21356 MARION LANE MANDÉVILLE, LA 70571 USA TEL 504.340.0770 -- FAX 888.217.6402</small>		<b>CheckPoint</b> Pumps & Systems DWG. TITLE <b>ASSEMBLY - 1/4"          FAILSAFE - CHECK</b>	
REV.	-.03	CFM04S6Q201	SIZE <b>A</b>
DRAWING NUMBER			

**PROPRIETARY AND CONFIDENTIAL**

THE INFORMATION CONTAINED HEREIN IS PROPRIETARY TO CHECKPOINT SYSTEMS AND SHALL NOT BE REPRODUCED OR DISCLOSED IN WHOLE OR IN PART OR USED FOR ANY PURPOSE EXCEPT WHEN SUCH USER POSSESSES DIRECT WRITTEN AUTHORIZATION FROM CHECKPOINT SYSTEMS



-- DO NOT SCALE DRAWING --

FOR REFERENCE ONLY  
CONTROLLED BY PDM



**CheckPoint**  
Pumps & Systems

DWG. TITLE  
1250 ASSY 1/2" 316SS HEAD  
CK CERAMIC PLUNGER

REV.  
-.03

P25B15C3QLC34

SIZE  
A

DRAWING NUMBER

PROPRIETARY AND CONFIDENTIAL

THE INFORMATION CONTAINED HEREIN IS PROPRIETARY TO CHECKPOINT SYSTEMS AND SHALL NOT BE REPRODUCED OR DISCLOSED IN WHOLE OR IN PART OR USED FOR ANY PURPOSE EXCEPT WHEN SUCH USER POSSESSES DIRECT WRITTEN AUTHORIZATION FROM CHECKPOINT SYSTEMS