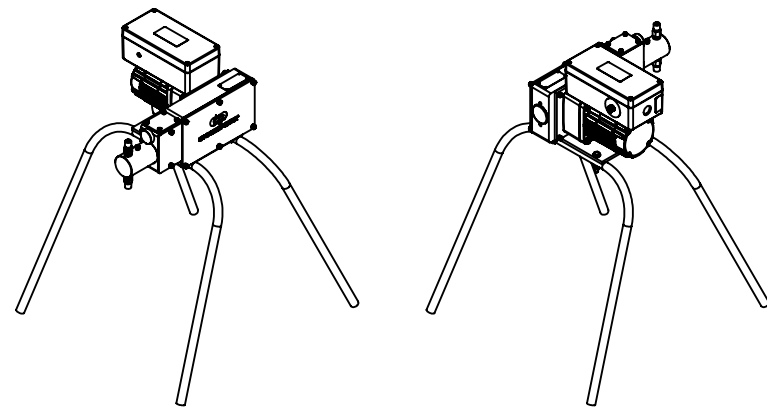
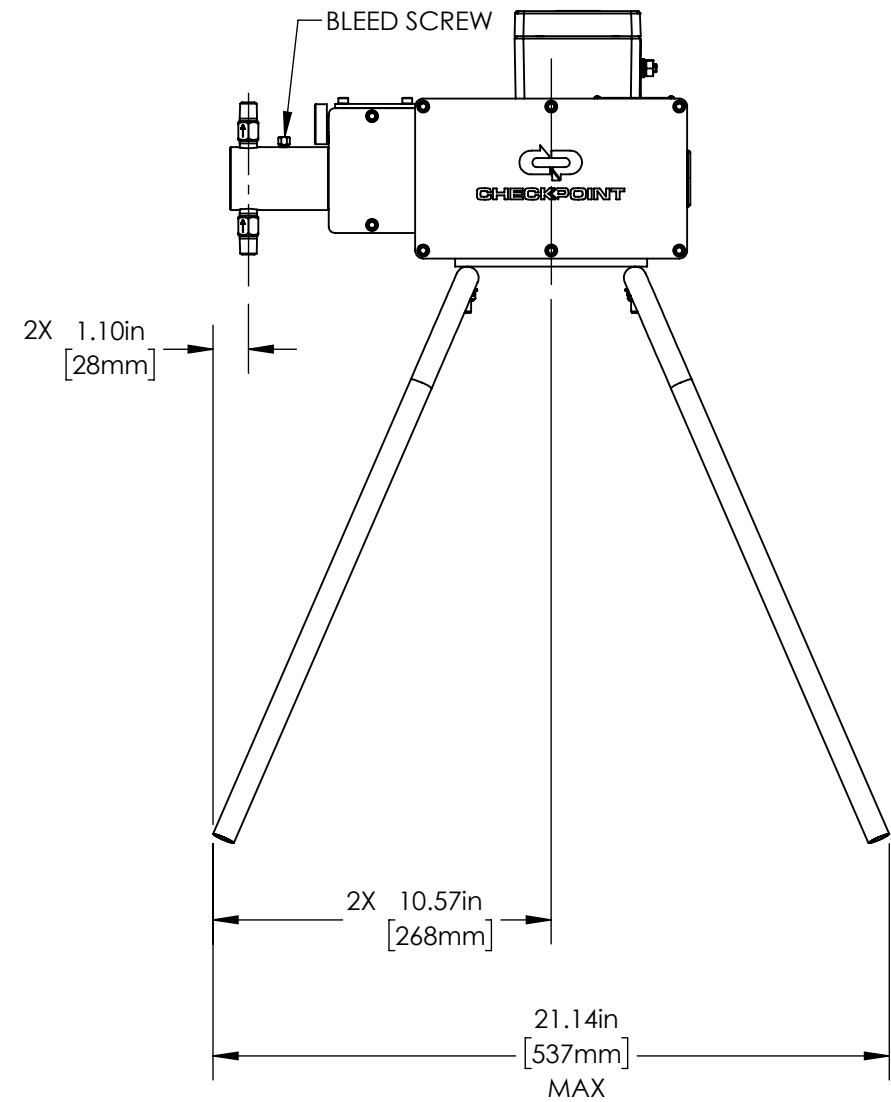
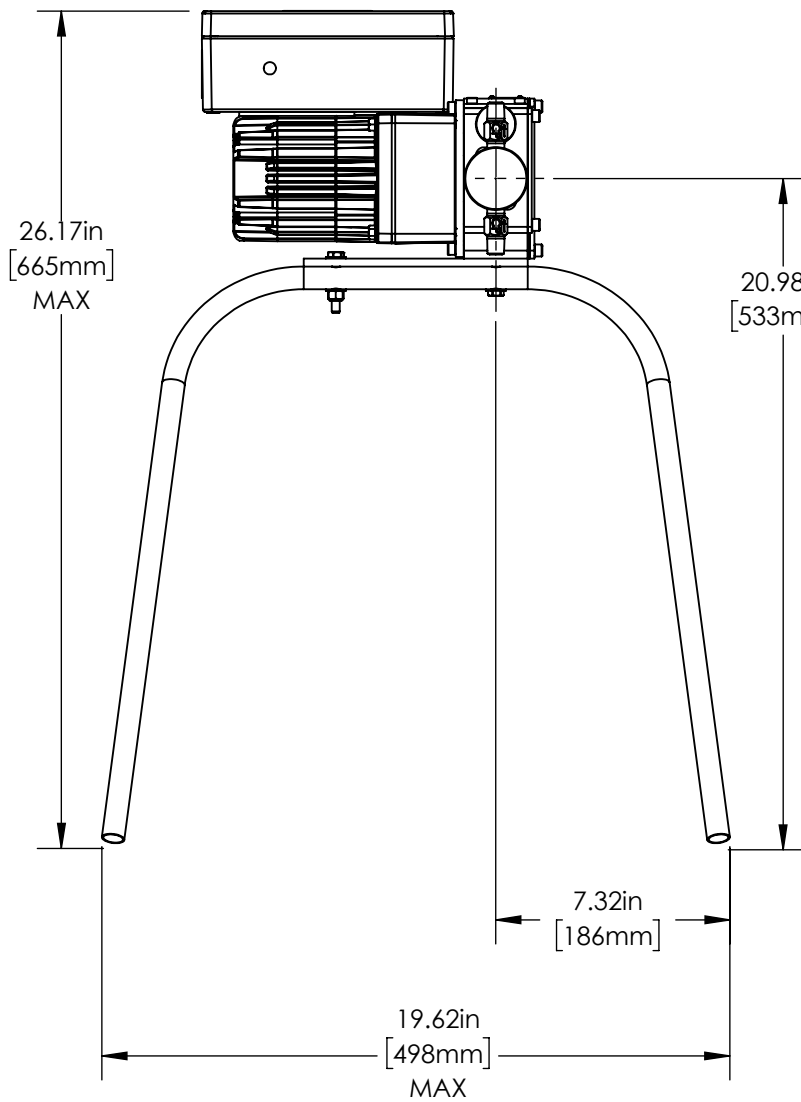
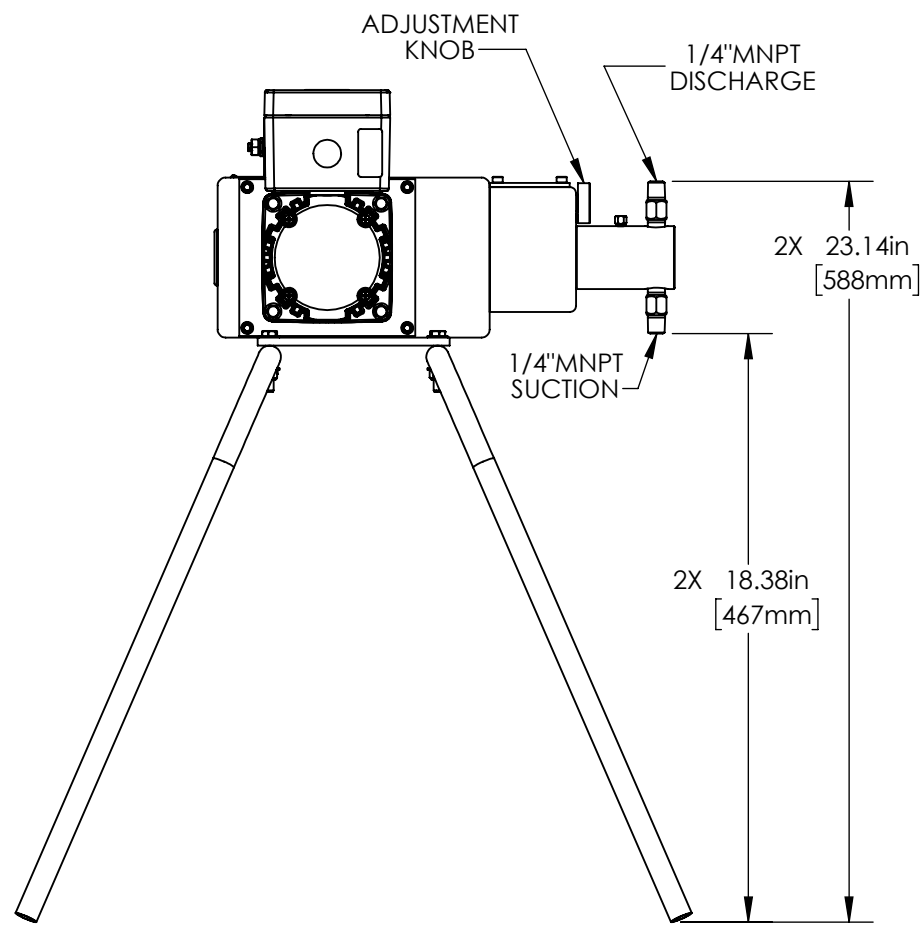


CP CERTIFIED DIMENSIONAL DRAWING

DATE	APPROVED
01/31/23	WRS

D
C
B
A

D
C
B
A



WEIGHT	19.54lb / 8.86kg
--------	------------------

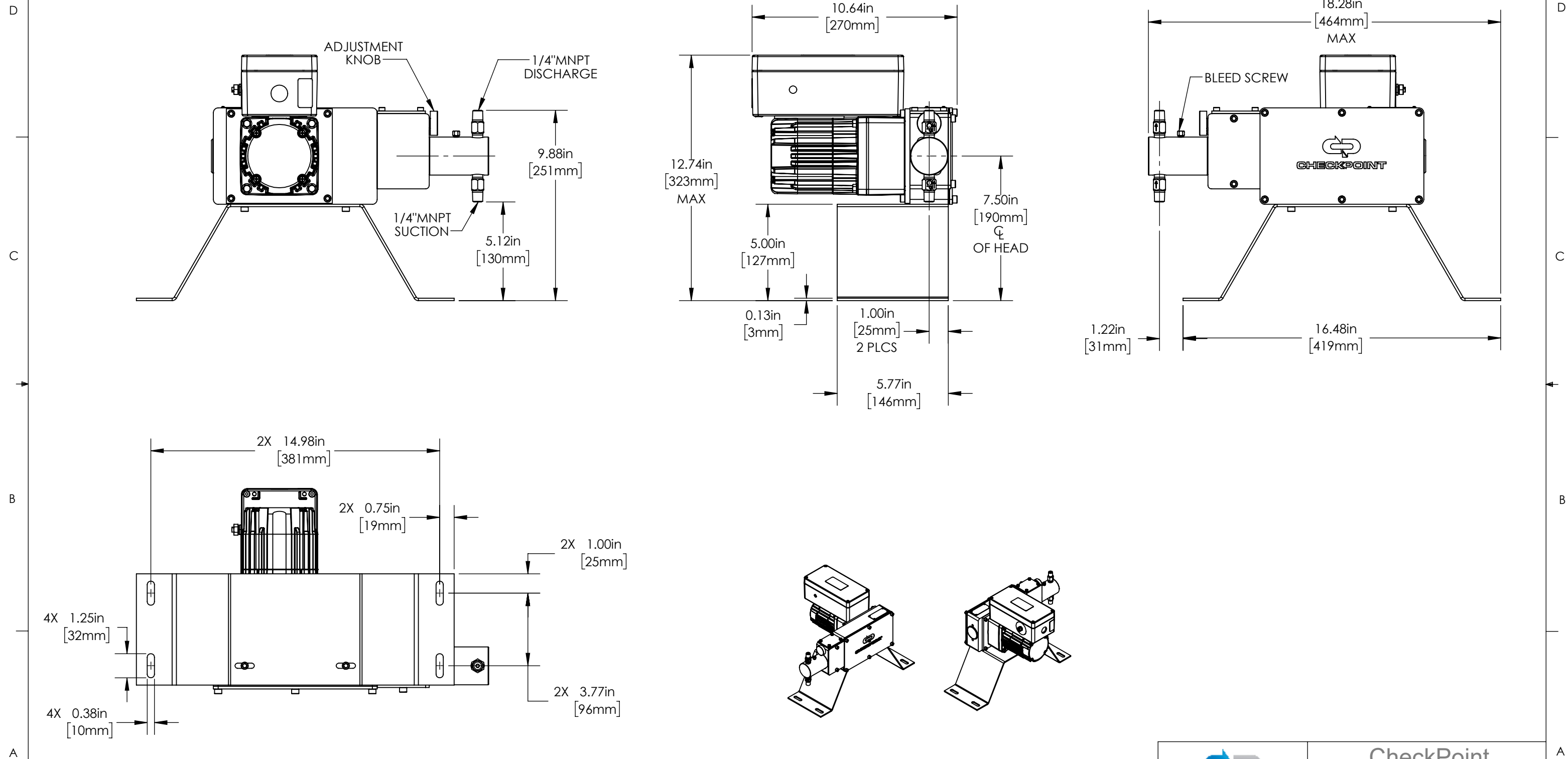
PROPRIETARY AND CONFIDENTIAL

THE INFORMATION CONTAINED HEREIN IS PROPRIETARY TO CHECKPOINT SYSTEMS AND SHALL NOT BE REPRODUCED OR DISCLOSED IN WHOLE OR IN PART OR USED FOR ANY PURPOSE EXCEPT WHEN SUCH USER POSSESSES DIRECT WRITTEN AUTHORIZATION FROM CHECKPOINT SYSTEMS

<p>Checkpoint Pumps & Systems</p>	
<p>DWG. TITLE 1 PUMP 1 HEAD ASSEMBLY ATP 3</p>	
<p>REV. 00</p>	<p>DRAWING NUMBER CDDATP31P1HL-04-08</p>
<p>SIZE B</p>	<p>SHEET 1 OF 1</p>

CP CERTIFIED DIMENSIONAL DRAWING

DATE	APPROVED
01/31/23	WRS



WEIGHT	19.8lb / 8.97kg
--------	-----------------

CP/DWG-ENG-018 REV. 02 EFF. DATE: 26/04/2023

PROPRIETARY AND CONFIDENTIAL
 THE INFORMATION CONTAINED HEREIN IS PROPRIETARY TO CHECKPOINT SYSTEMS AND SHALL NOT BE REPRODUCED OR DISCLOSED IN WHOLE OR IN PART OR USED FOR ANY PURPOSE EXCEPT WHEN SUCH USER POSSESSES DIRECT WRITTEN AUTHORIZATION FROM CHECKPOINT SYSTEMS



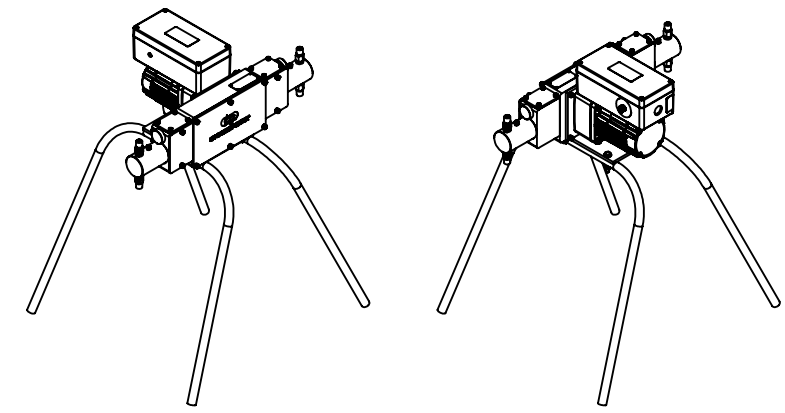
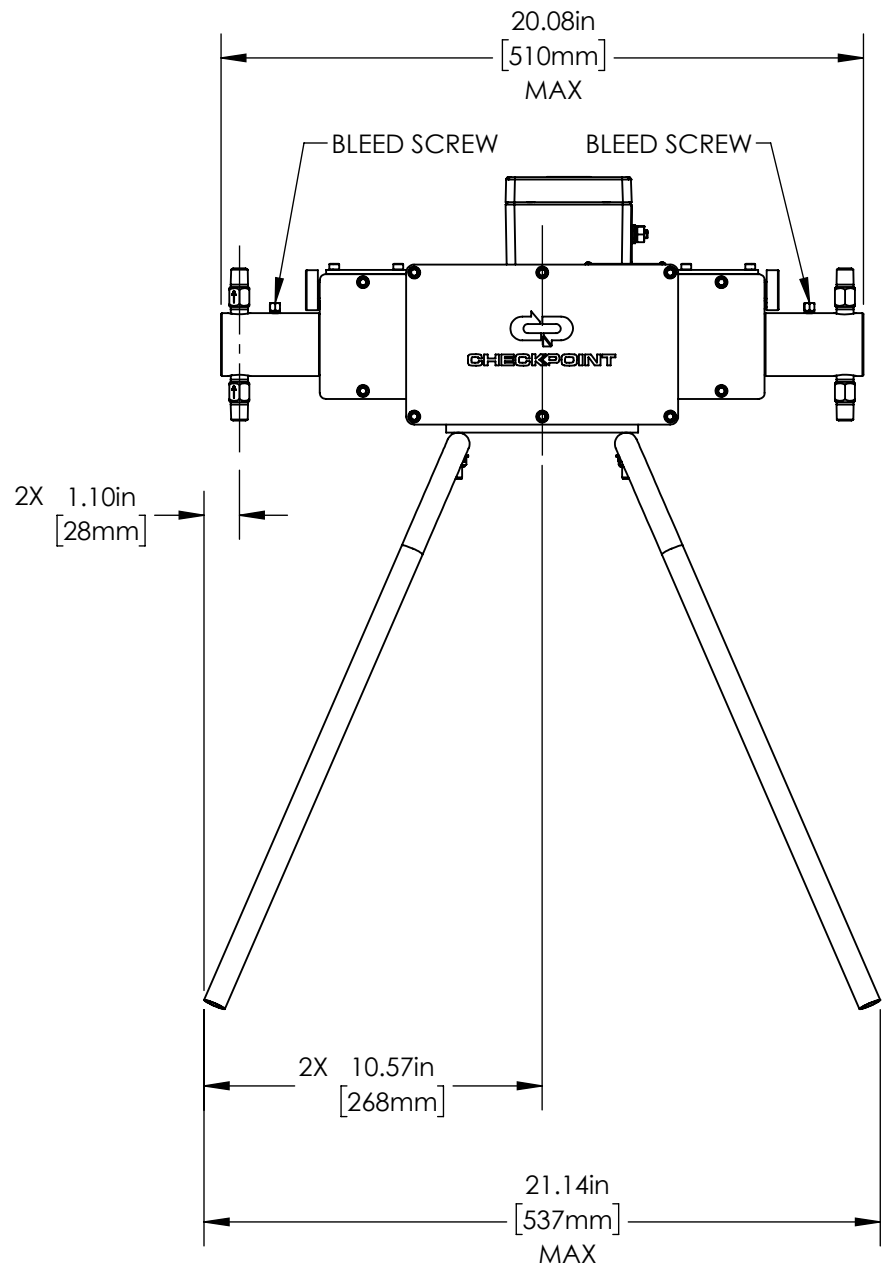
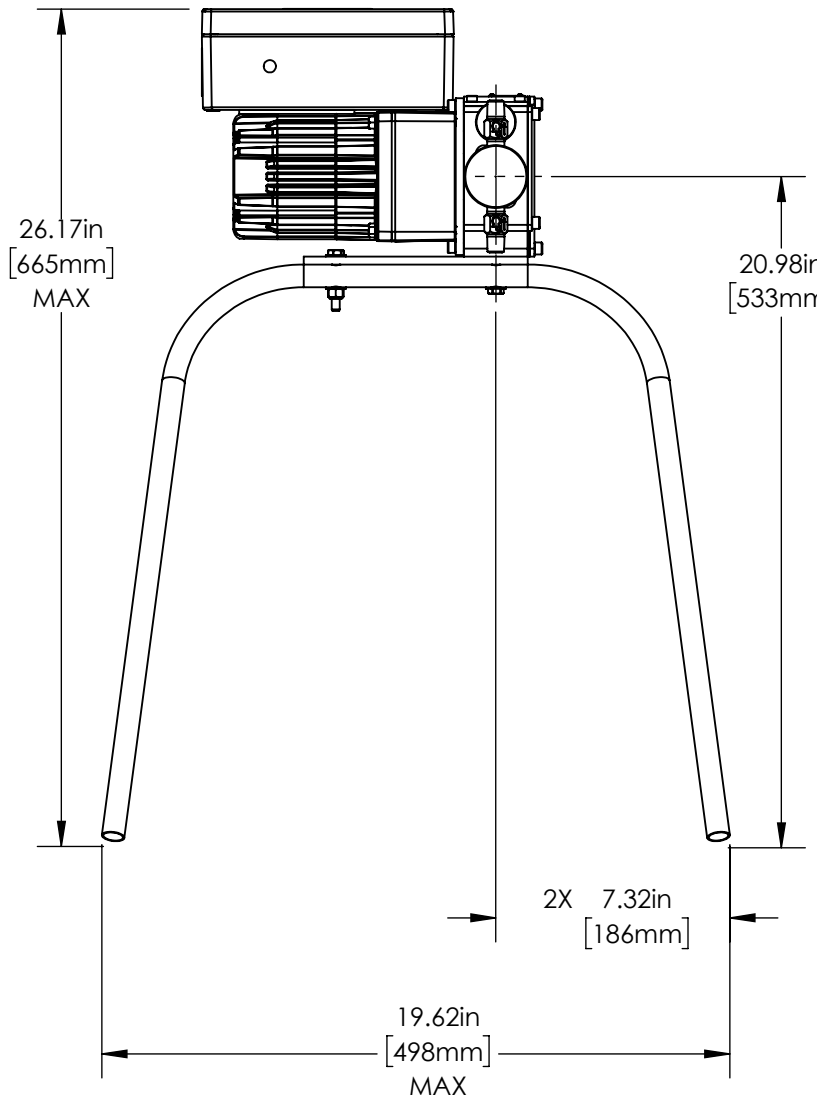
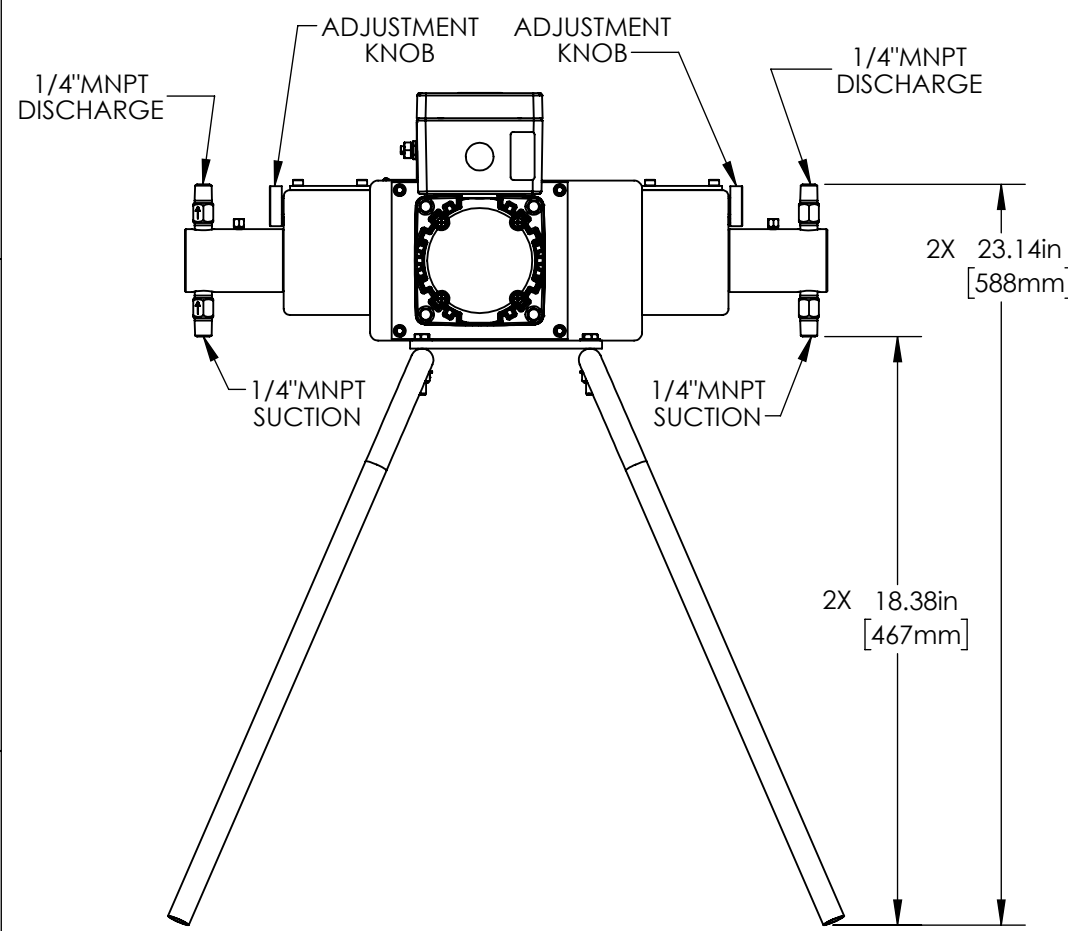
CheckPoint Pumps & Systems	
DWG. TITLE ATP 3 - 1 PUMP - 1 HEAD 1/4" - 1/2" ASSEMBLY	
REV. 00	DWG. NUMBER CDDATP31P1HS-04-08
SIZE B	SHEET 1 OF 1

CP CERTIFIED DIMENSIONAL DRAWING

DATE	APPROVED
01/31/23	WRS

D
C
B
A

D
C
B
A



WEIGHT	24.5lb / 11.11kg
--------	------------------

PROPRIETARY AND CONFIDENTIAL
 THE INFORMATION CONTAINED HEREIN IS PROPRIETARY TO CHECKPOINT SYSTEMS AND SHALL NOT BE REPRODUCED OR DISCLOSED IN WHOLE OR IN PART OR USED FOR ANY PUPOSE EXCEPT WHEN SUCH USER POSSESSES DIRECT WRITTEN AUTHORIZATION FROM CHECKPOINT SYSTEMS



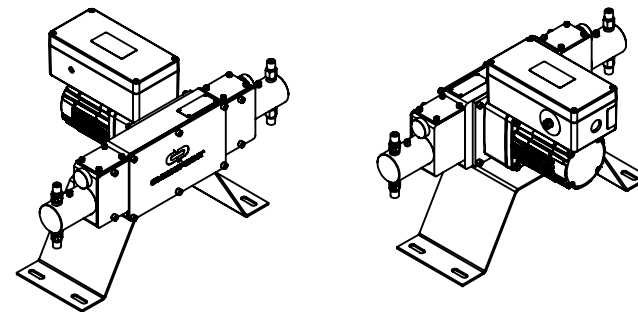
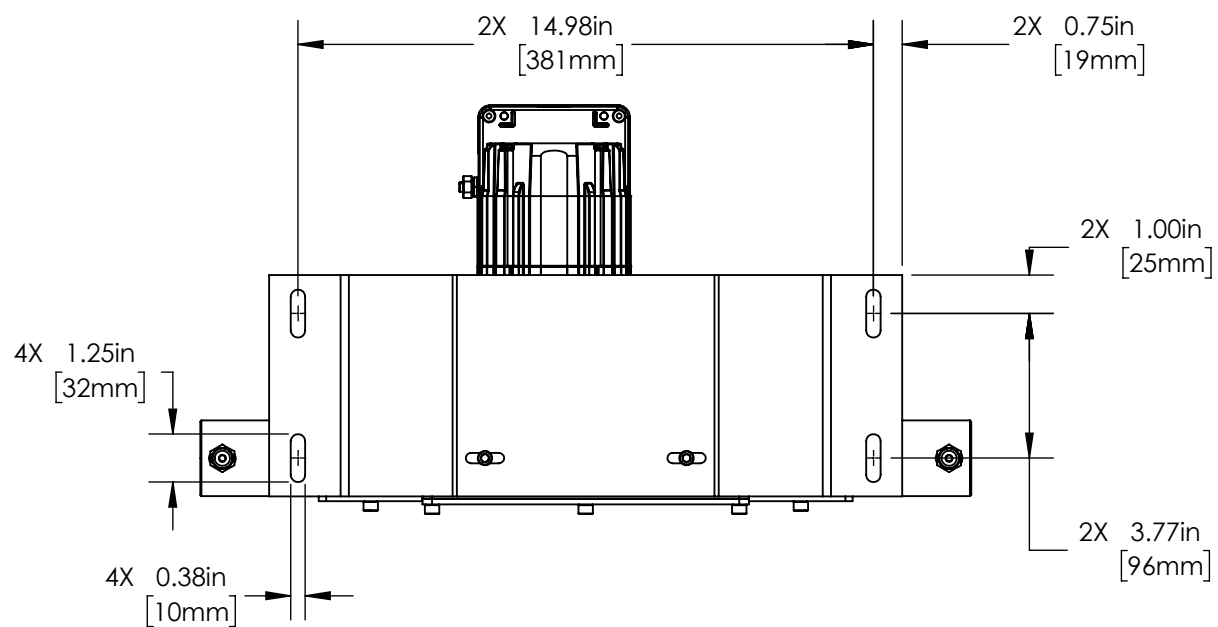
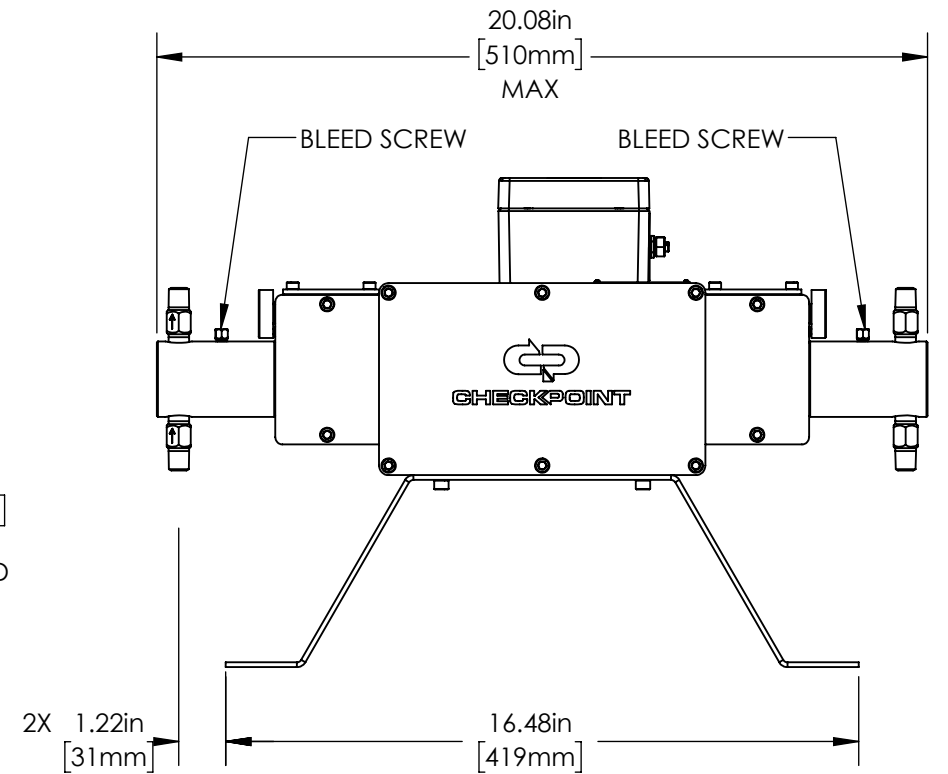
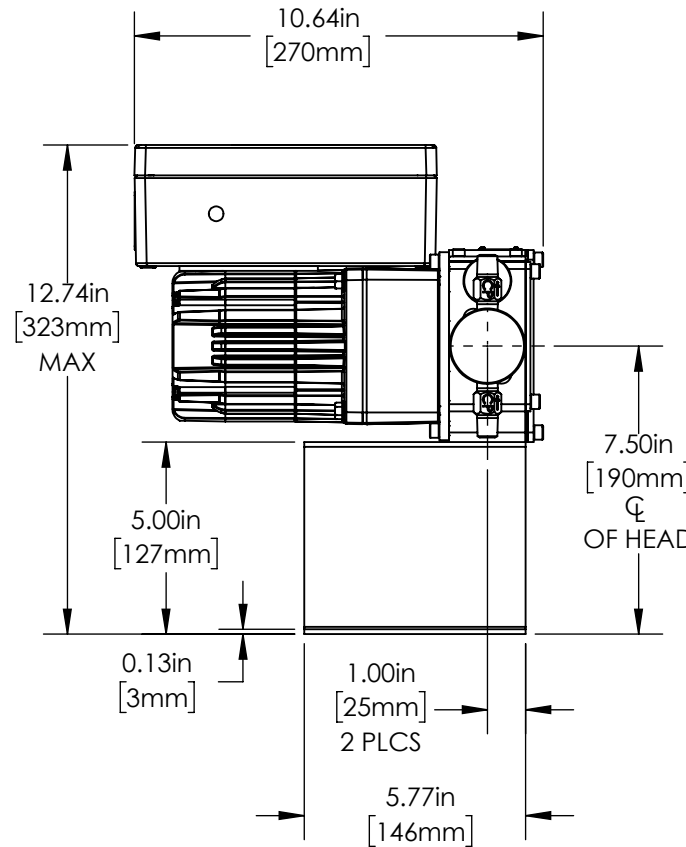
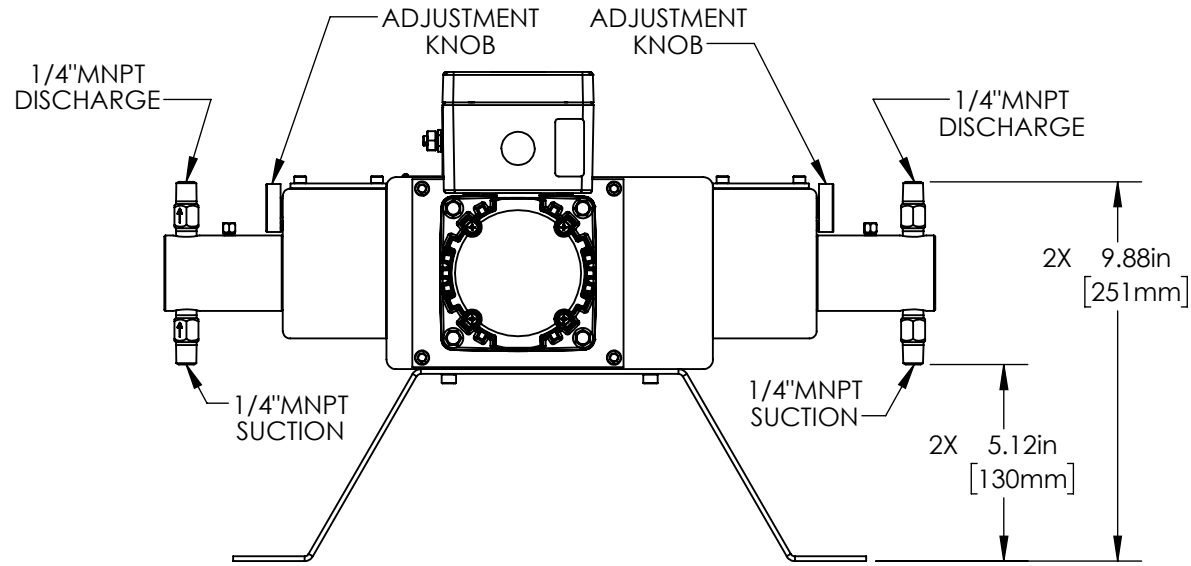
CheckPoint Pumps & Systems	
DWG. TITLE 1 PUMP 2 HEAD ASSEMBLY ATP 3	
REV. 00	DRAWING NUMBER CDDATP31P2HL-04-08
SIZE B	SHEET 1 OF 1

CP CERTIFIED DIMENSIONAL DRAWING

DATE	APPROVED
01/31/23	WRS

D
C
B
A

D
C
B
A



PROPRIETARY AND CONFIDENTIAL
 THE INFORMATION CONTAINED HEREIN IS PROPRIETARY TO CHECKPOINT SYSTEMS AND SHALL NOT BE REPRODUCED OR DISCLOSED IN WHOLE OR IN PART OR USED FOR ANY PURPOSE EXCEPT WHEN SUCH USER POSSESSES DIRECT WRITTEN AUTHORIZATION FROM CHECKPOINT SYSTEMS



Checkpoint Pumps & Systems	
DWG. TITLE ATP 3 - 1 PUMP - 2 HEAD 1/4" - 1/2" ASSEMBLY	
REV. 00	CDDATP31P2HS-04-08
DRAWING NUMBER	SHEET 1 OF 1

WEIGHT	27.7lb / 11.2kg
--------	-----------------