

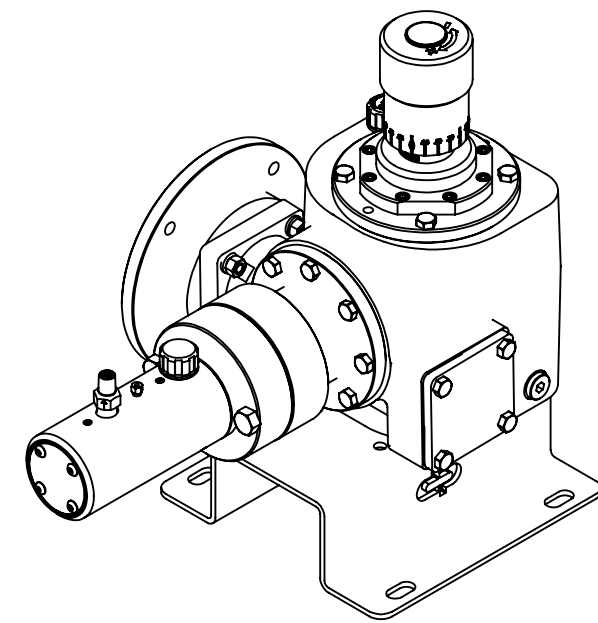
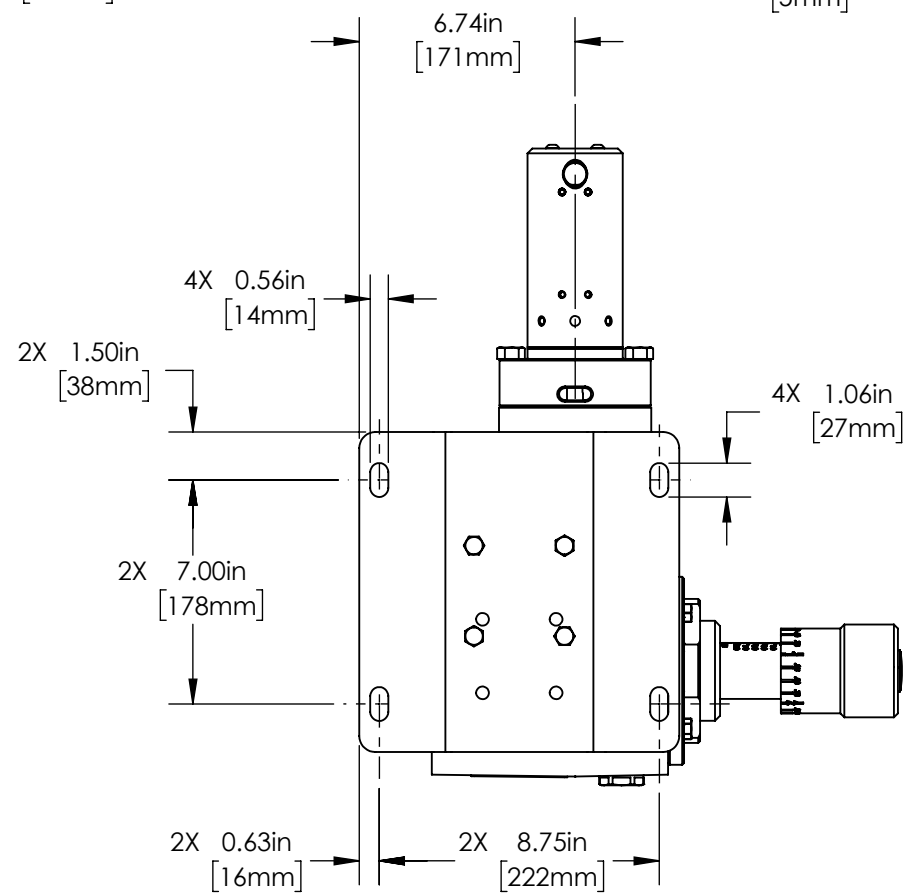
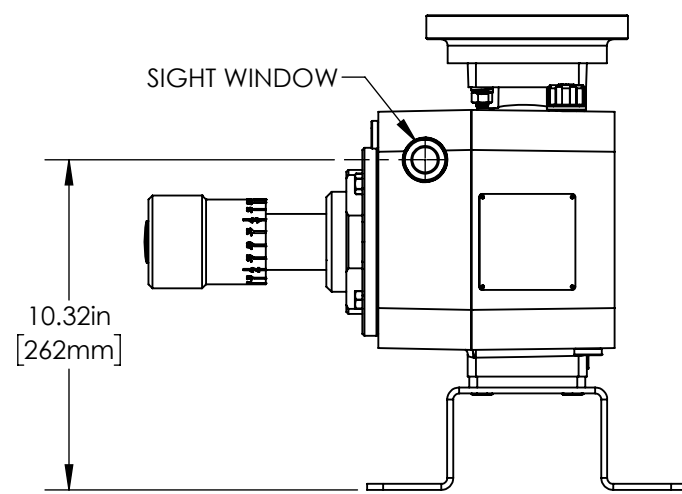
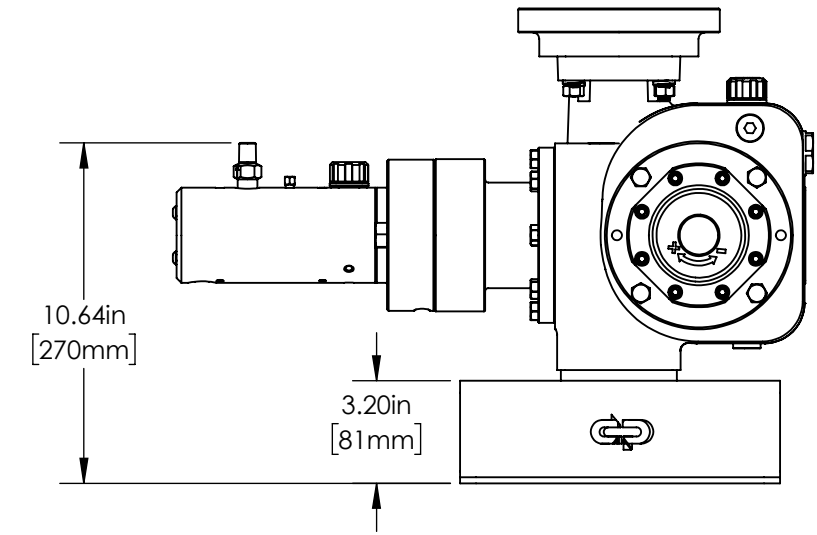
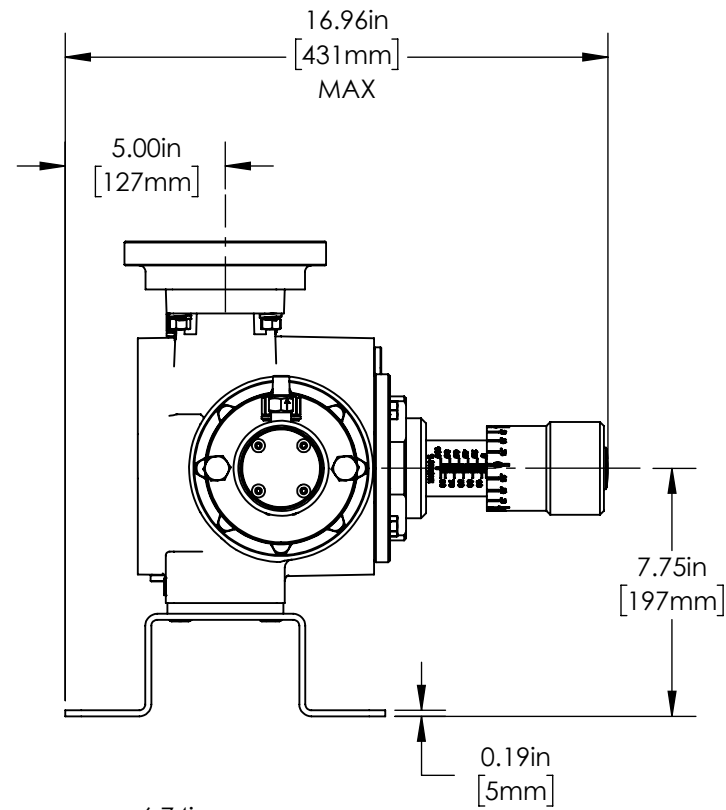
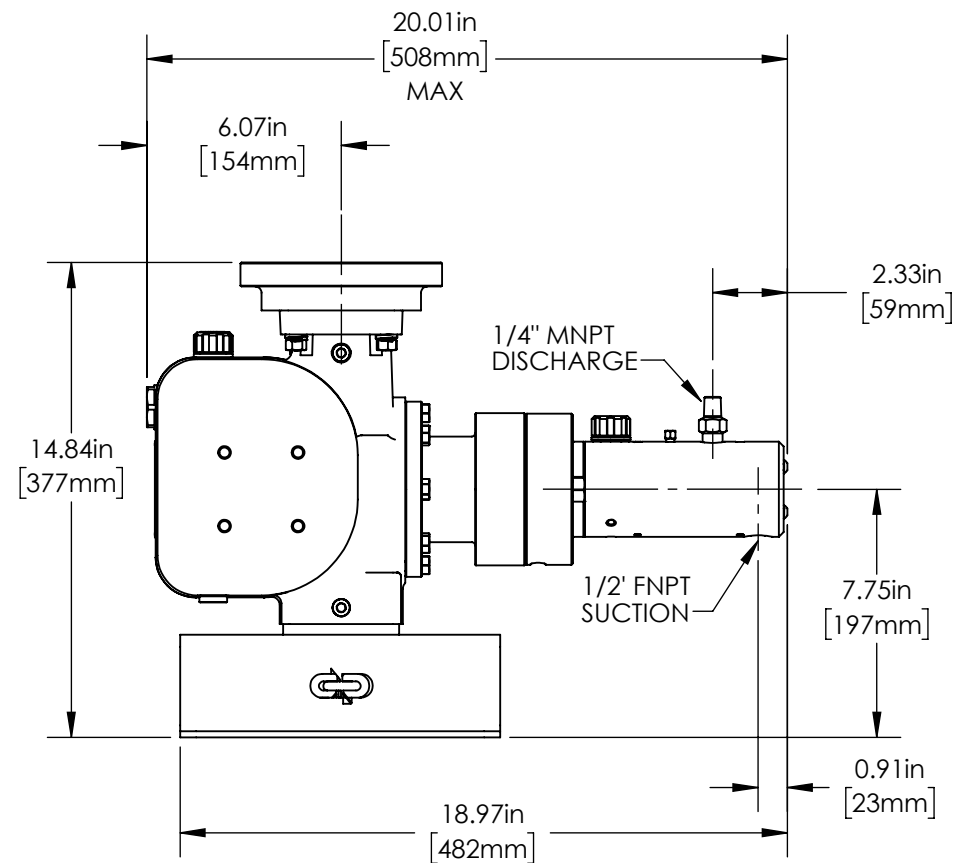


**CP CERTIFIED DIMENSIONAL DRAWING**

DATE	APPROVED
11/17/22	WRS

D  
C  
B  
A

D  
C  
B  
A



WEIGHT	82.2lb / 37.3kg
--------	-----------------

CP/DWG-ENG-014 REV. 01 EFF. DATE: 01/11/2023

PROPRIETARY AND CONFIDENTIAL  
 THE INFORMATION CONTAINED HEREIN IS PROPRIETARY TO CHECKPOINT SYSTEMS AND SHALL NOT BE REPRODUCED OR DISCLOSED IN WHOLE OR IN PART OR USED FOR ANY PUPOSE EXCEPT WHEN SUCH USER POSSESSES DIRECT WRITTEN AUTHORIZATION FROM CHECKPOINT SYSTEMS

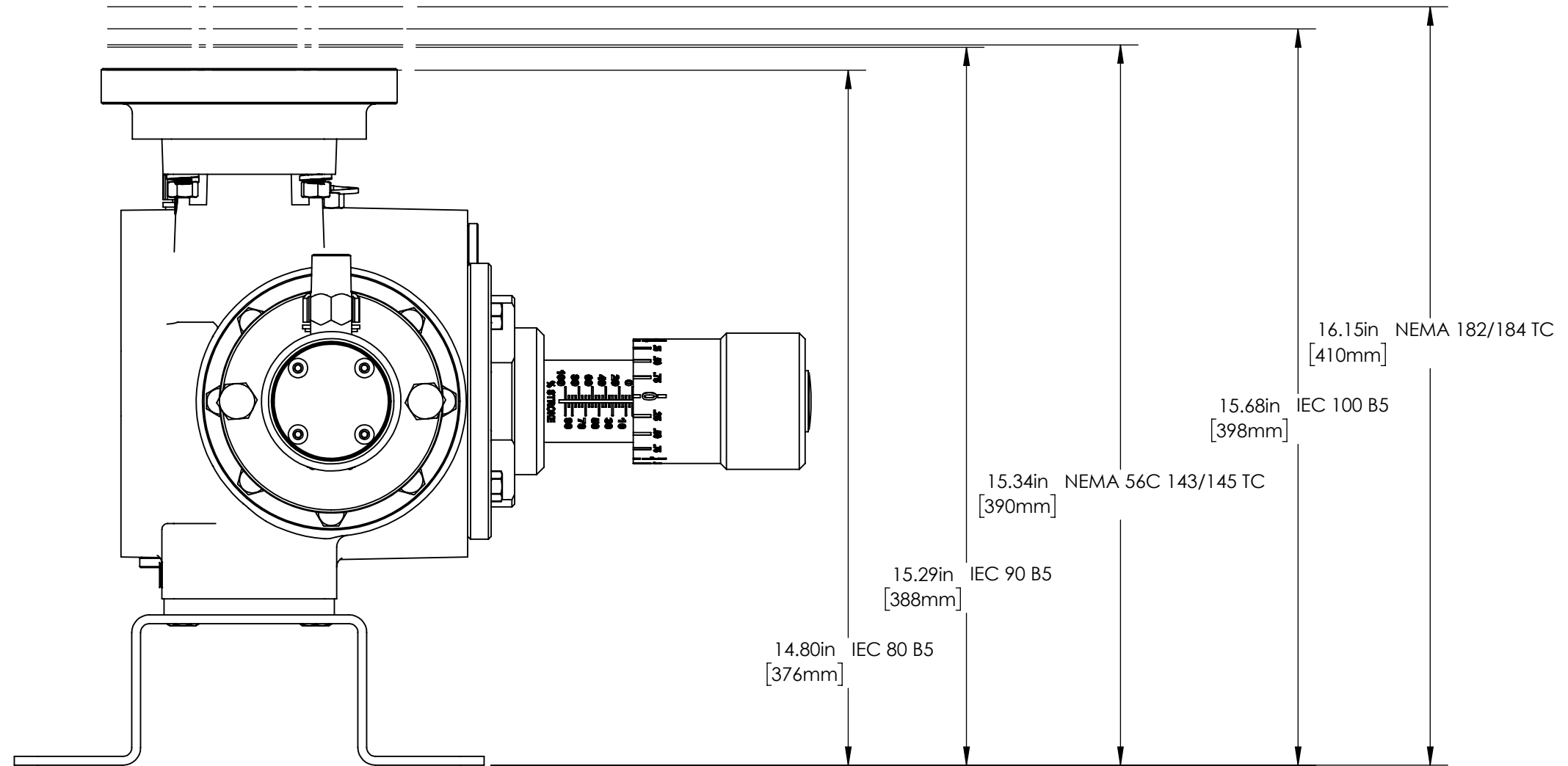
21356 MARION LANE  
 MANDEVILLE, LA 70471 USA  
 TEL 504.340.0770 -- FAX 888.217.6402

DWG. TITLE <b>SLA-LEAKLESS 3/8" - MANUAL VERTICAL ASSY</b>	
REV. 00	CDDSLAPL06
DRAWING NUMBER	SHEET 1 OF 2

8 7 6 5 4 3 2 1

**CP CERTIFIED DIMENSIONAL DRAWING**

DATE	APPROVED
11/17/22	WRS



**MAX HEIGHT DIMENSIONS OF EACH MOTOR FLANGE**

WEIGHT	82.2lb / 37.3kg
--------	-----------------

PROPRIETARY AND CONFIDENTIAL  
 THE INFORMATION CONTAINED HEREIN IS PROPRIETARY TO CHECKPOINT SYSTEMS AND SHALL NOT BE REPRODUCED OR DISCLOSED IN WHOLE OR IN PART OR USED FOR ANY PURPOSE EXCEPT WHEN SUCH USER POSSESSES DIRECT WRITTEN AUTHORIZATION FROM CHECKPOINT SYSTEMS

21356 MARION LANE  
 MANDEVILLE, LA 70471 USA  
 TEL 504.340.0770 - FAX 888.217.6402

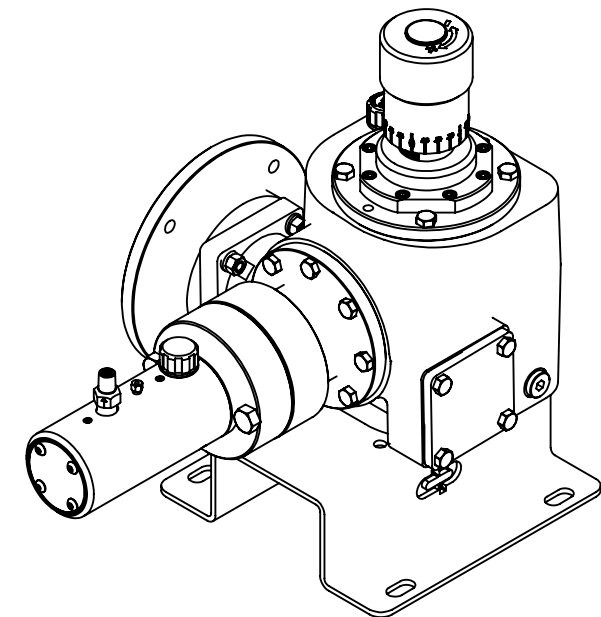
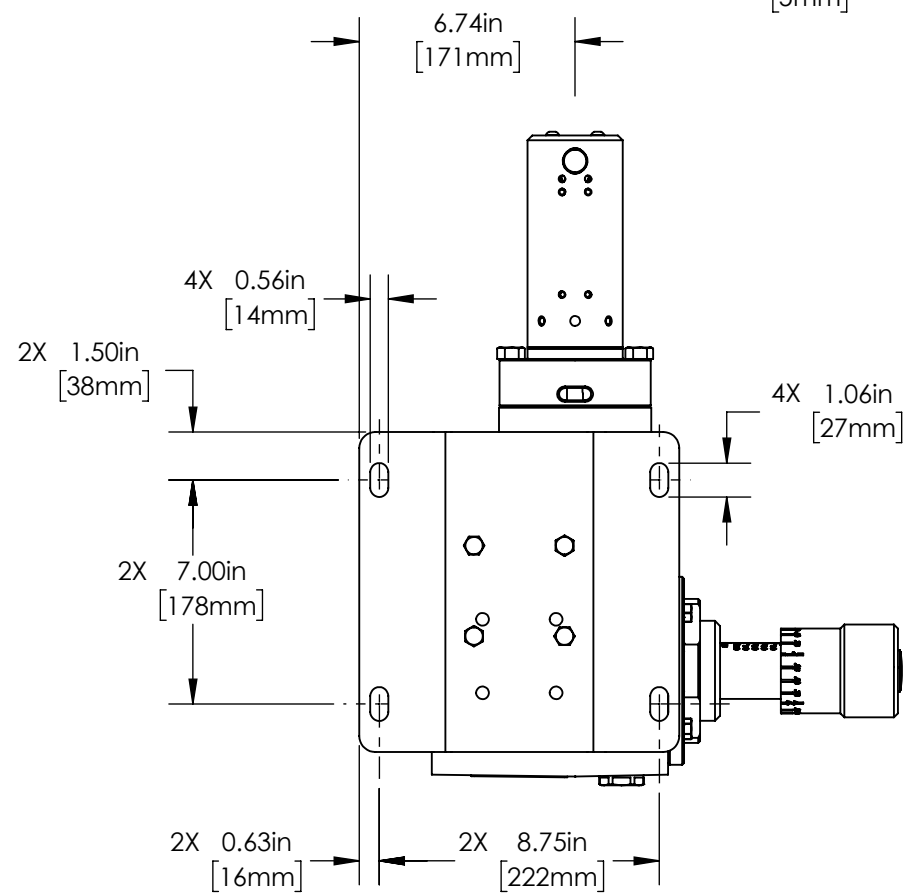
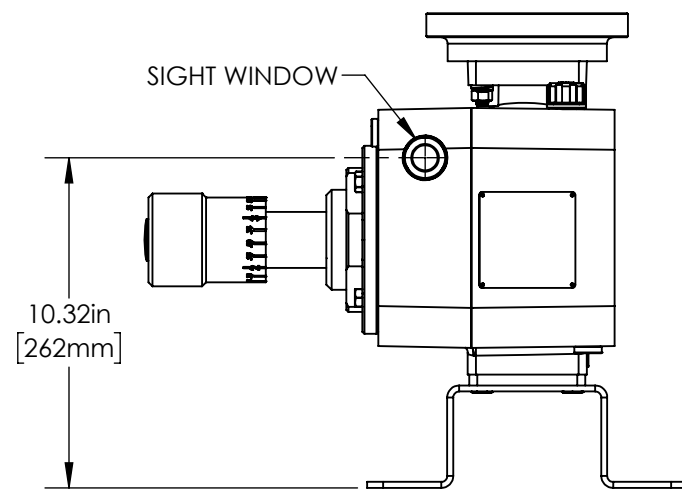
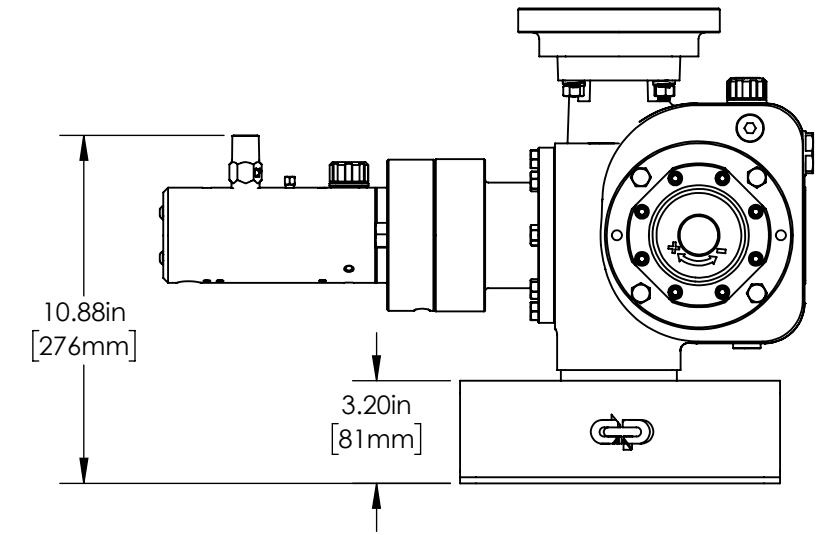
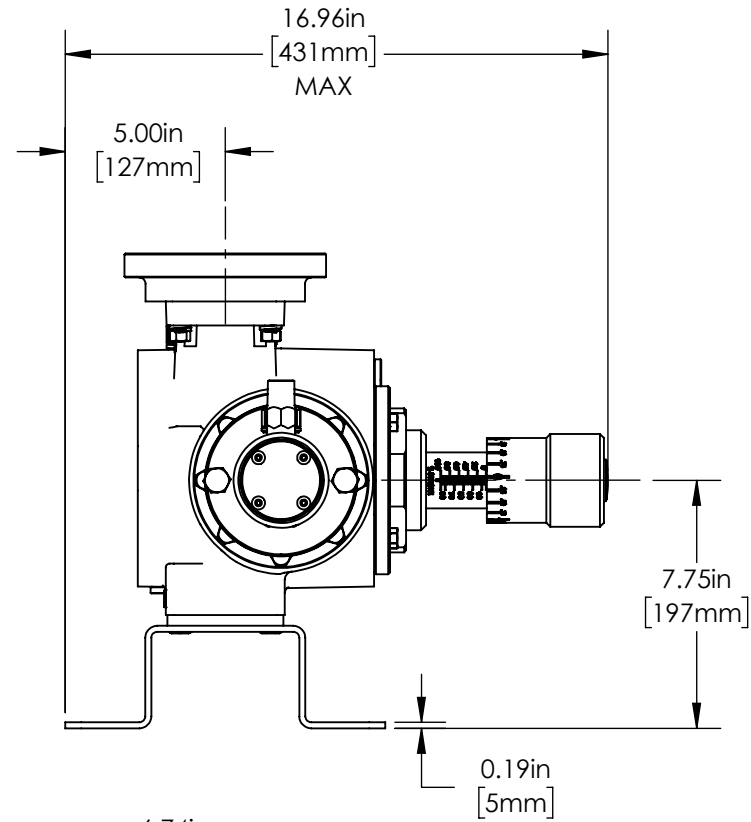
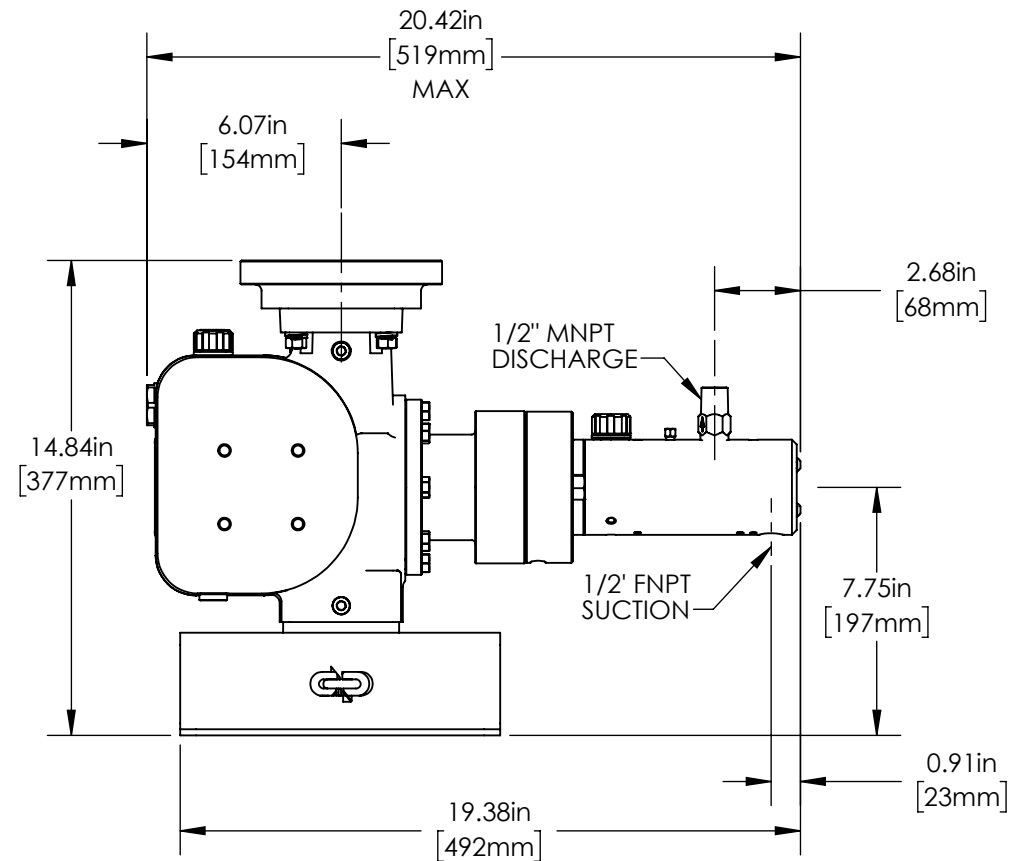
DWG. TITLE <b>SLA-LEAKLESS 3/8" - MANUAL VERTICAL ASSY</b>	
REV.	00
DRAWING NUMBER	CDDSLAPL06
SIZE	<b>B</b>
SHEET 2 OF 2 Page 3 of 3	

**CP CERTIFIED DIMENSIONAL DRAWING**

DATE	APPROVED
11/17/22	WRS

D  
C  
B  
A

D  
C  
B  
A



WEIGHT	83.1lb / 37.7kg
--------	-----------------

CP/DWG-ENG-015 REV. 01 EFF. DATE: 01/11/2023

PROPRIETARY AND CONFIDENTIAL  
 THE INFORMATION CONTAINED HEREIN IS PROPRIETARY TO CHECKPOINT SYSTEMS AND SHALL NOT BE REPRODUCED OR DISCLOSED IN WHOLE OR IN PART OR USED FOR ANY PUPOSE EXCEPT WHEN SUCH USER POSSESSES DIRECT WRITTEN AUTHORIZATION FROM CHECKPOINT SYSTEMS

21356 MARION LANE  
 MANDEVILLE, LA 70471 USA  
 TEL 504.340.0770 -- FAX 888.217.6402

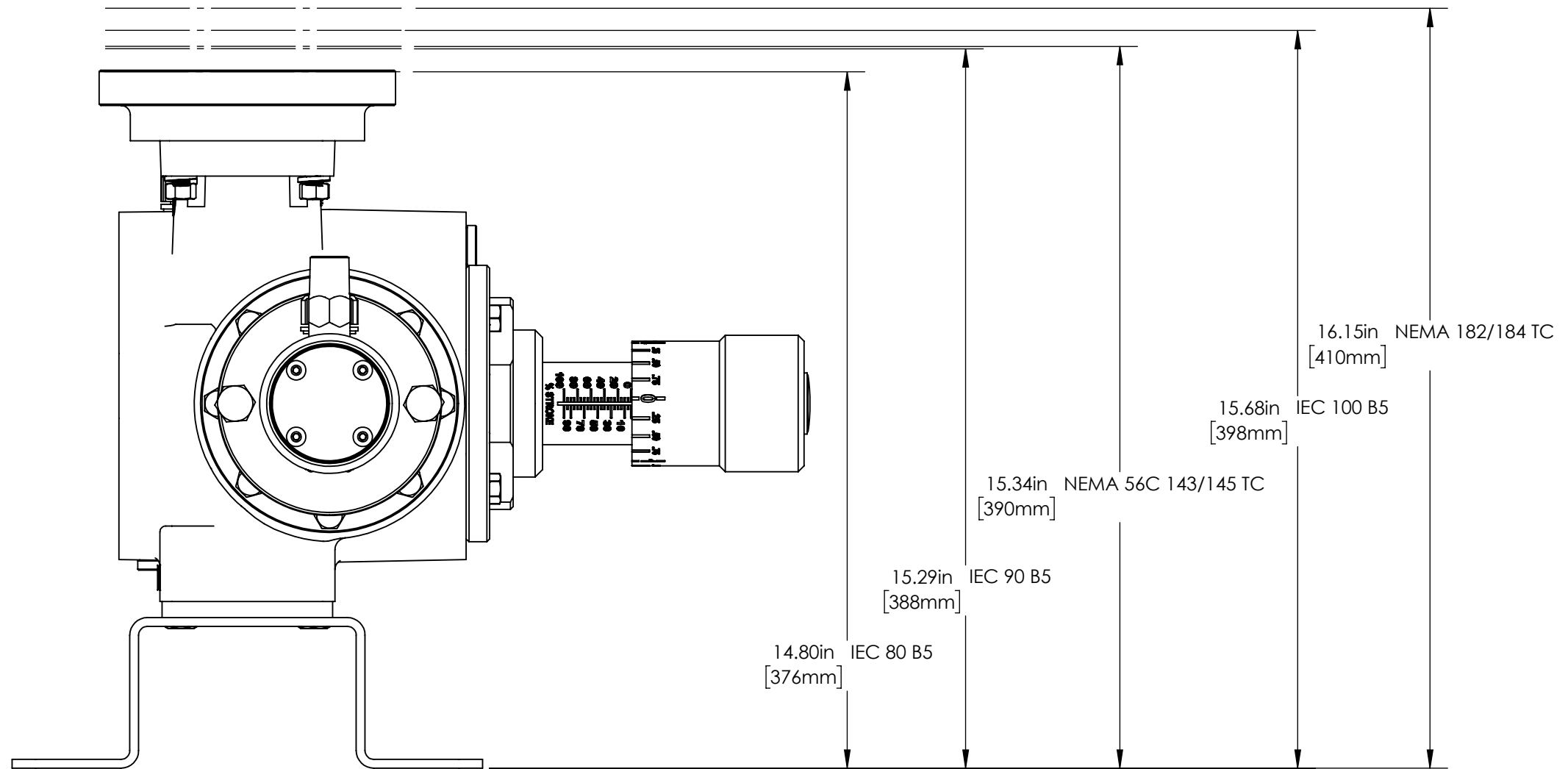
**CheckPoint**  
 Pumps & Systems

DWG. TITLE  
**SLA-LEAKLESS 1/2" - MANUAL VERTICAL ASSY**

REV.	CDDSLAPL08	SIZE	B
DRAWING NUMBER		SHEET 1 OF 2	

CP CERTIFIED DIMENSIONAL DRAWING

DATE	APPROVED
11/17/22	WRS



MAX HEIGHT DIMENSIONS OF EACH MOTOR FLANGE

WEIGHT	83.1lb / 37.7kg
--------	-----------------

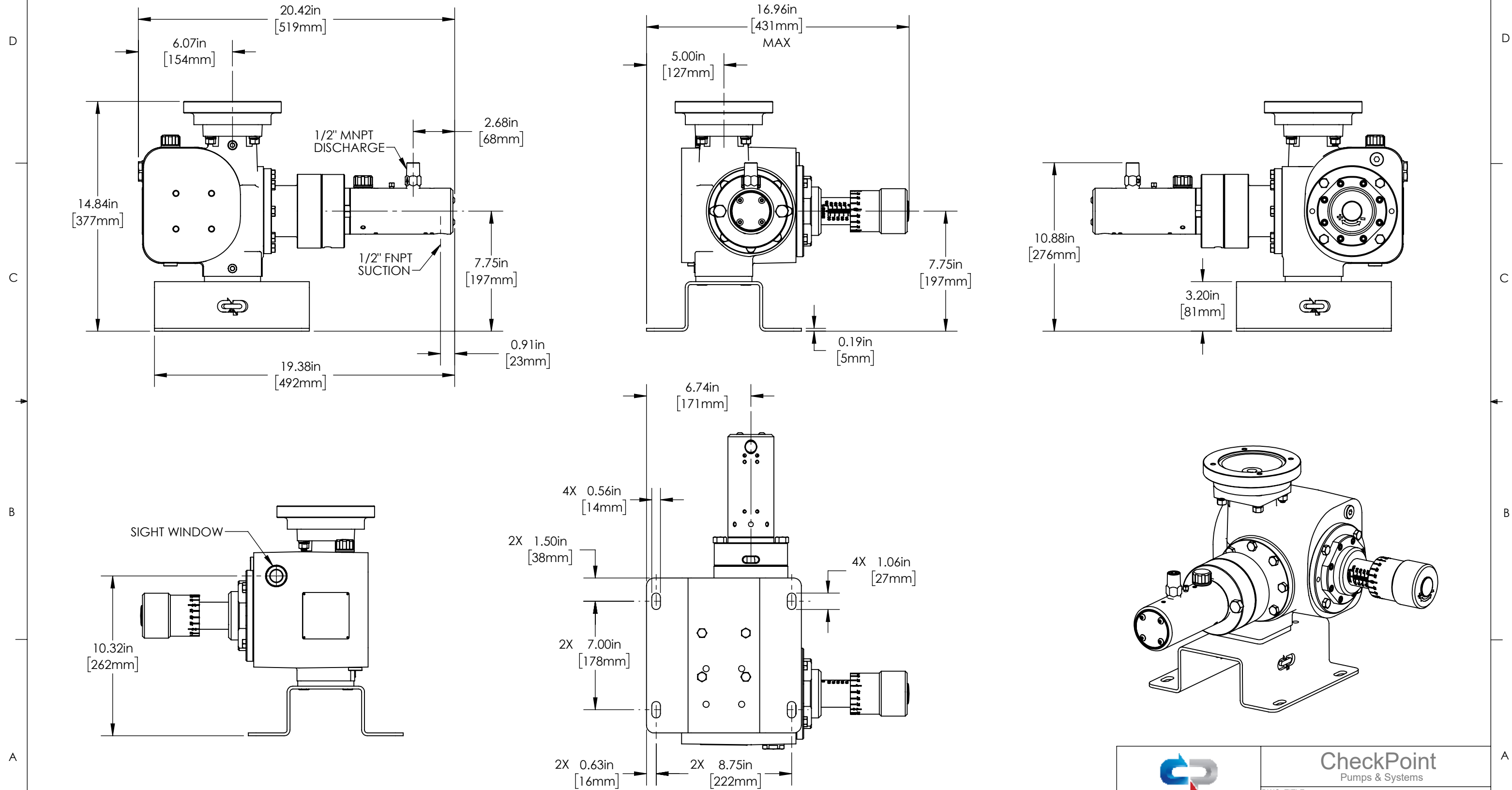
PROPRIETARY AND CONFIDENTIAL  
 THE INFORMATION CONTAINED HEREIN IS PROPRIETARY TO CHECKPOINT SYSTEMS AND SHALL NOT BE REPRODUCED OR DISCLOSED IN WHOLE OR IN PART OR USED FOR ANY PURPOSE EXCEPT WHEN SUCH USER POSSESSES DIRECT WRITTEN AUTHORIZATION FROM CHECKPOINT SYSTEMS

21356 MARION LANE  
 MANDEVILLE, LA 70471 USA  
 TEL 504.340.0770 - FAX 888.217.6402

DWG. TITLE <b>SLA-LEAKLESS 1/2" - MANUAL VERTICAL ASSY</b>	
REV. <b>00</b>	CDDSLAPL08
DRAWING NUMBER	
SHEET 2 OF 2	

**CP CERTIFIED DIMENSIONAL DRAWING**

DATE	APPROVED
12/23/22	WRS



WEIGHT	82.9lb / 37.6kg
--------	-----------------

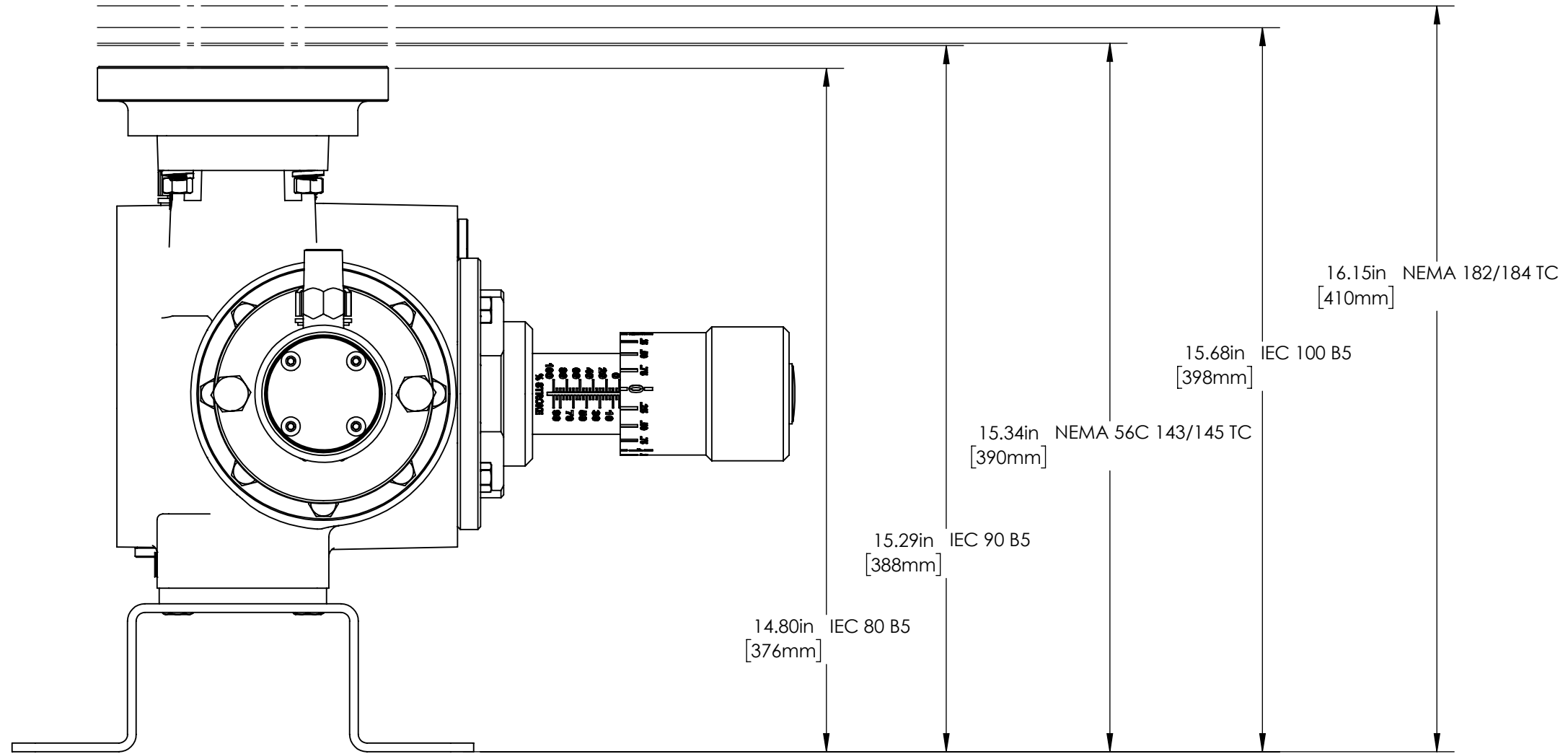
CP/DWG-ENG-016 REV. 01 EFF. DATE: 01/11/2023

**PROPRIETARY AND CONFIDENTIAL**  
 THE INFORMATION CONTAINED HEREIN IS PROPRIETARY TO CHECKPOINT SYSTEMS AND SHALL NOT BE REPRODUCED OR DISCLOSED IN WHOLE OR IN PART OR USED FOR ANY PURPOSE EXCEPT WHEN SUCH USER POSSESSES DIRECT WRITTEN AUTHORIZATION FROM CHECKPOINT SYSTEMS

<p>21356 MARION LANE                  MANDEVILLE, LA 70471 USA                  TEL 504.340.0770 -- FAX 888.217.6402</p>	<p><b>CheckPoint</b> Pumps &amp; Systems</p>		<p>SIZE <b>B</b></p>
	<p>DWG. TITLE <b>SLA-LEAKLESS 0.75" - MANUAL VERTICAL ASSY</b></p>		
<p>REV. <b>00</b></p>	<p>DRAWING NUMBER <b>CDDSLAPL12</b></p>		<p>SHEET 1 OF 2</p>

**CP CERTIFIED DIMENSIONAL DRAWING**

DATE	APPROVED
12/23/22	WRS



**MAX HEIGHT DIMENSIONS OF EACH MOTOR FLANGE**

WEIGHT	82.9lb / 37.6kg
--------	-----------------

PROPRIETARY AND CONFIDENTIAL  
 THE INFORMATION CONTAINED HEREIN IS PROPRIETARY TO CHECKPOINT SYSTEMS AND SHALL NOT BE REPRODUCED OR DISCLOSED IN WHOLE OR IN PART OR USED FOR ANY PURPOSE EXCEPT WHEN SUCH USER POSSESSES DIRECT WRITTEN AUTHORIZATION FROM CHECKPOINT SYSTEMS

21356 MARION LANE  
 MANDEVILLE, LA 70471 USA  
 TEL 504.340.0770 - FAX 888.217.6402

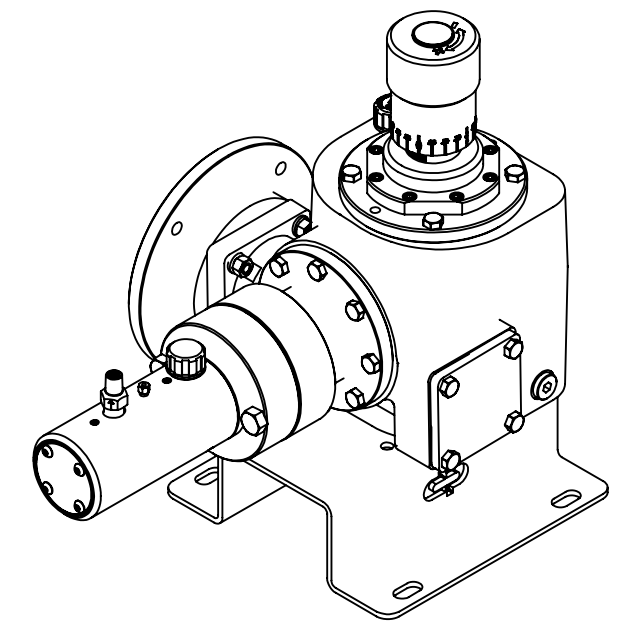
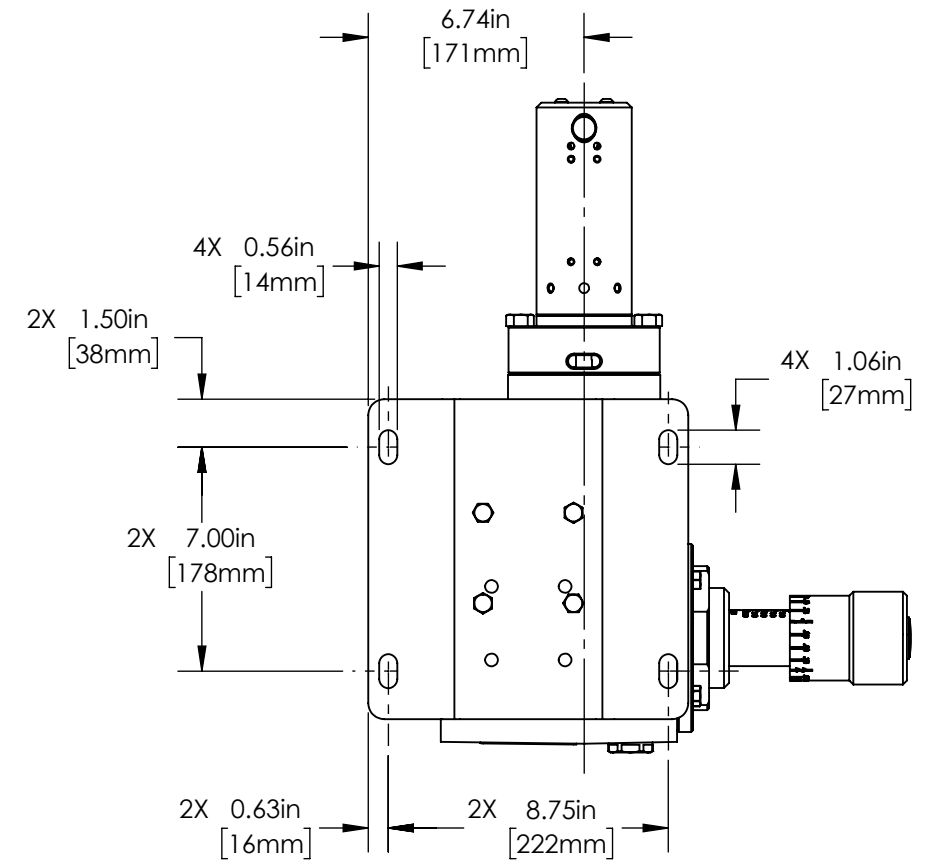
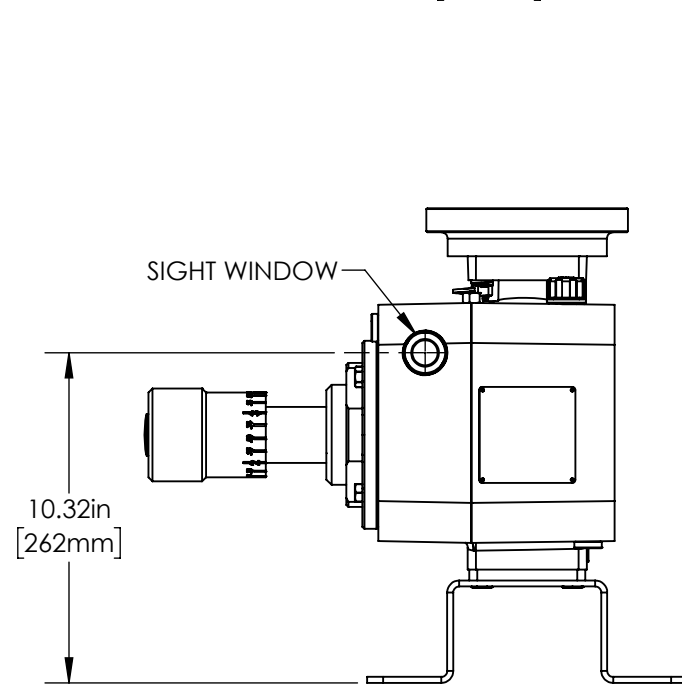
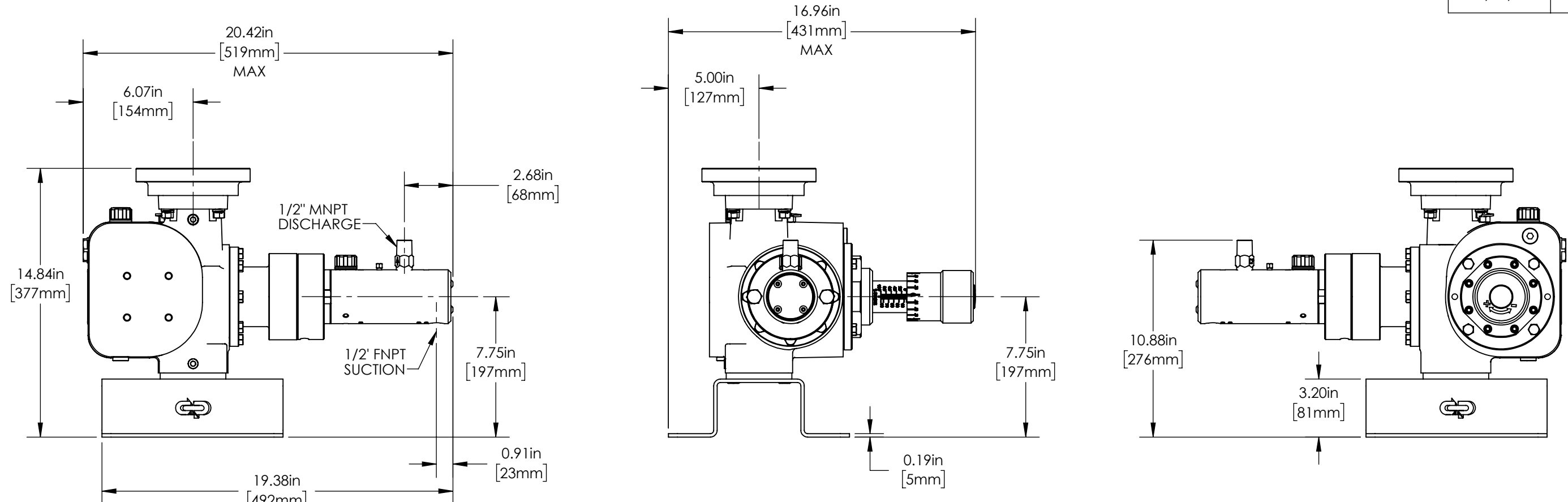
DWG. TITLE <b>SLA-LEAKLESS 0.75" - MANUAL VERTICAL ASSY</b>	
REV. 00	CDDSLAPL12
DRAWING NUMBER	SHEET 2 OF 2

**CP CERTIFIED DIMENSIONAL DRAWING**

DATE	APPROVED
11/16/22	WRS

D  
C  
B  
A

D  
C  
B  
A



WEIGHT	82.6lb / 37.5kg
--------	-----------------

PROPRIETARY AND CONFIDENTIAL  
 THE INFORMATION CONTAINED HEREIN IS PROPRIETARY TO CHECKPOINT SYSTEMS AND SHALL NOT BE REPRODUCED OR DISCLOSED IN WHOLE OR IN PART OR USED FOR ANY PUPOSE EXCEPT WHEN SUCH USER POSSESSES DIRECT WRITTEN AUTHORIZATION FROM CHECKPOINT SYSTEMS

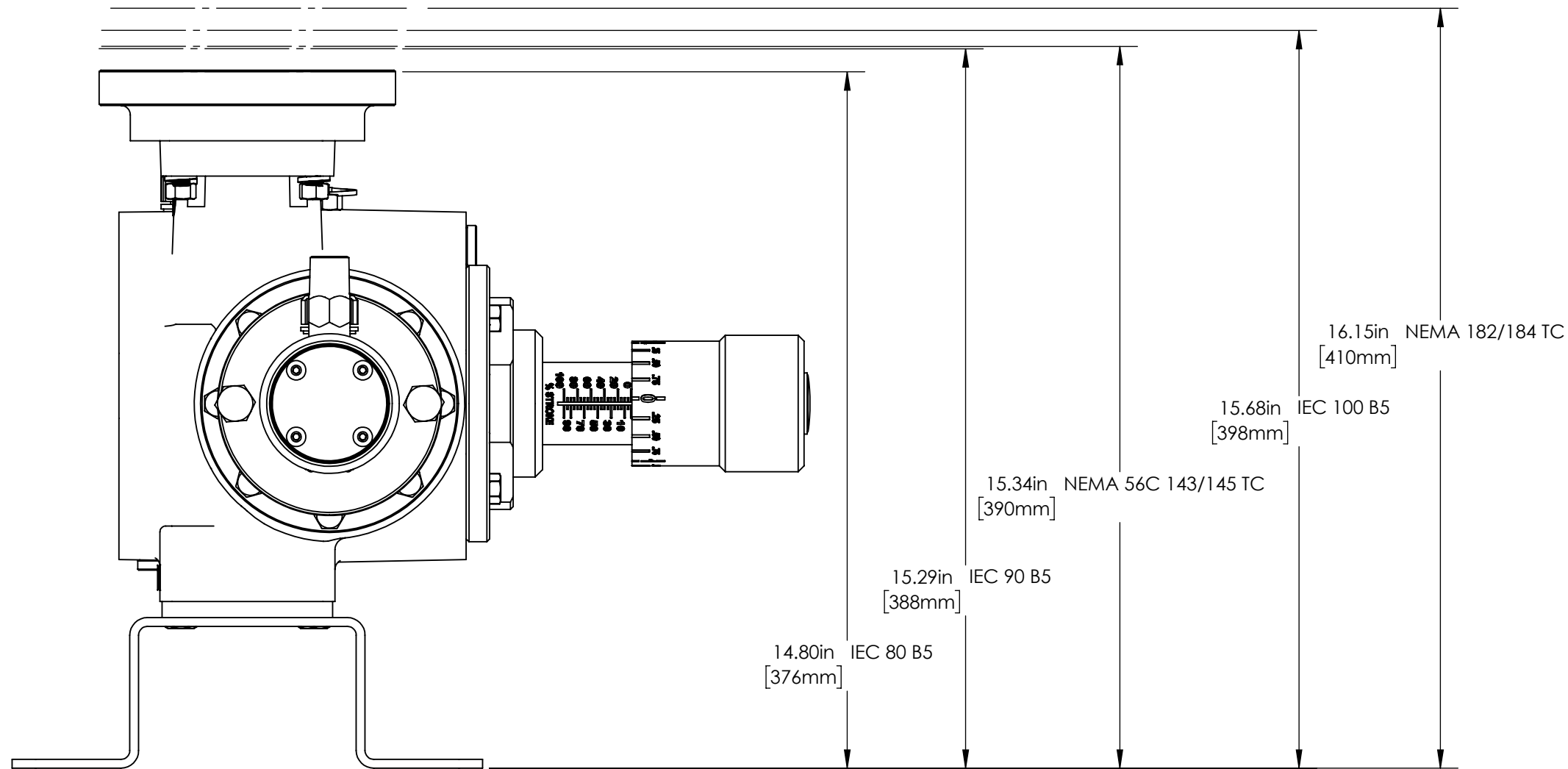


DWG. TITLE <b>SLA-LEAKLESS 1" - MANUAL VERTICAL ASSY</b>	
REV. 00	CDDSLAPL16
DRAWING NUMBER	
SHEET 1 OF 2	



CP CERTIFIED DIMENSIONAL DRAWING

DATE	APPROVED
11/17/22	WRS



MAX HEIGHT DIMENSIONS OF EACH MOTOR FLANGE

WEIGHT	82.6lb / 37.5kg
--------	-----------------

PROPRIETARY AND CONFIDENTIAL  
 THE INFORMATION CONTAINED HEREIN IS PROPRIETARY TO CHECKPOINT SYSTEMS AND SHALL NOT BE REPRODUCED OR DISCLOSED IN WHOLE OR IN PART OR USED FOR ANY PURPOSE EXCEPT WHEN SUCH USER POSSESSES DIRECT WRITTEN AUTHORIZATION FROM CHECKPOINT SYSTEMS

21356 MARION LANE  
 MANDEVILLE, LA 70471 USA  
 TEL 504.340.0770 - FAX 888.217.6402

DWG. TITLE <b>SLA-LEAKLESS 1" - MANUAL VERTICAL ASSY</b>	
REV. <b>00</b>	CDDSLAPL16
DRAWING NUMBER	
SHEET 2 OF 2	