

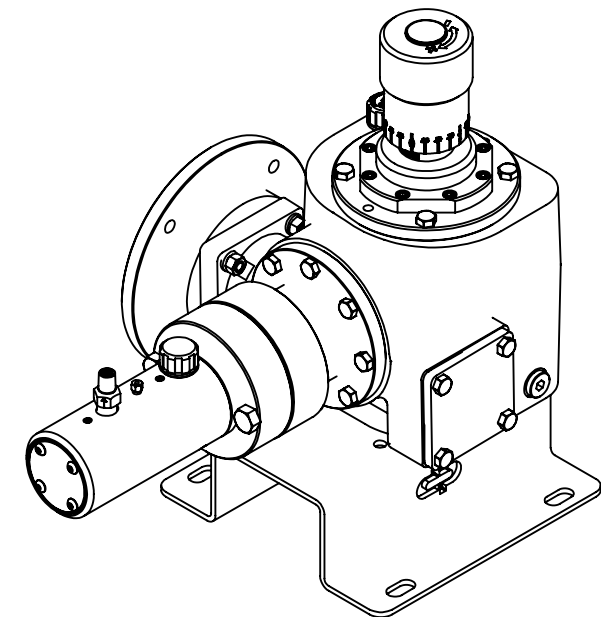
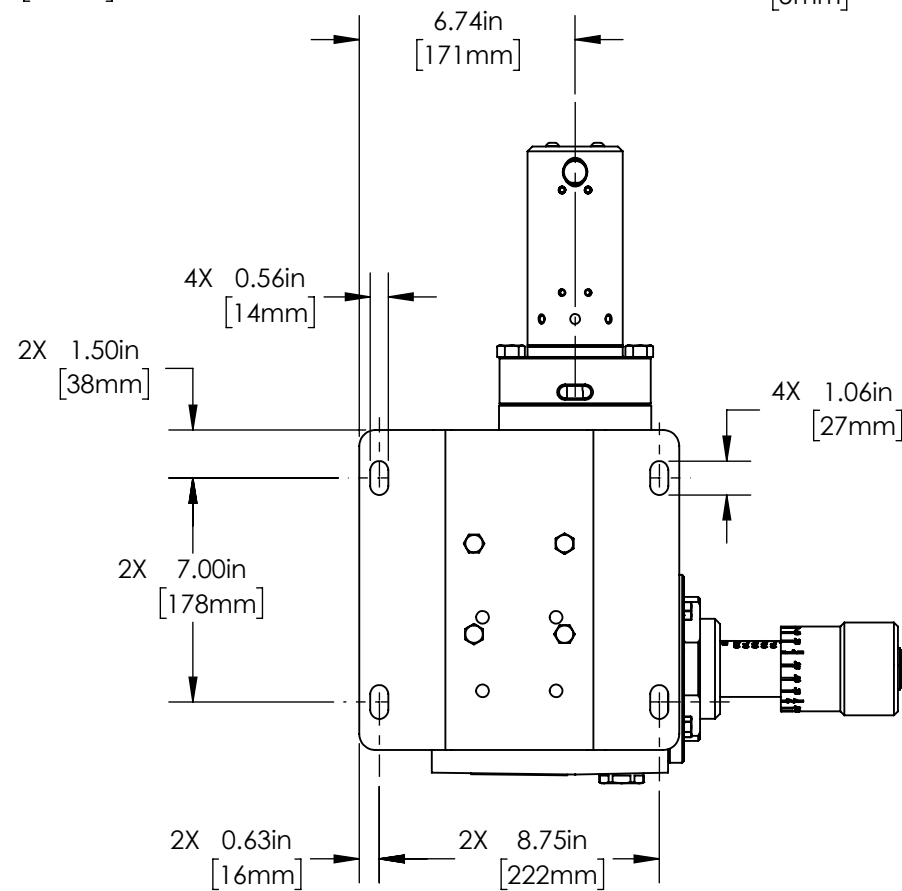
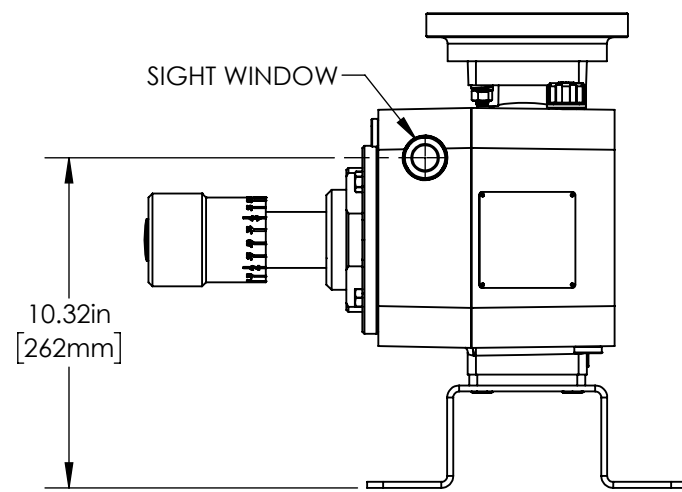
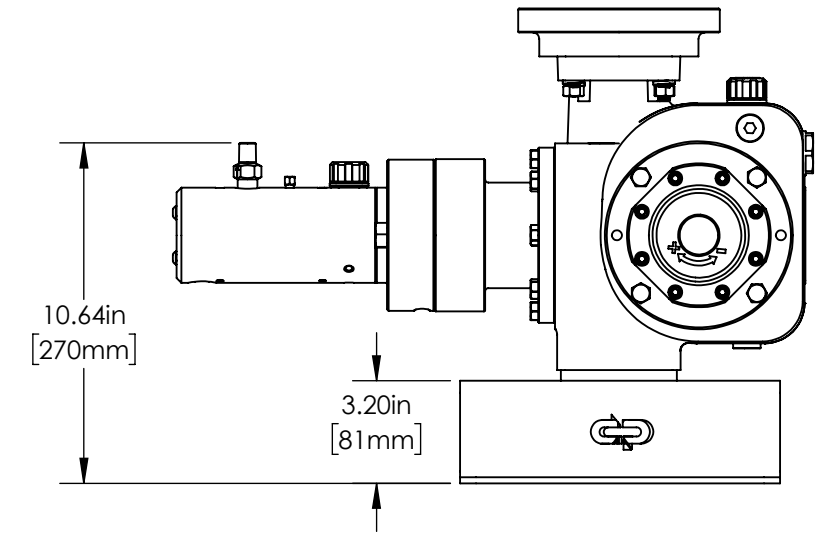
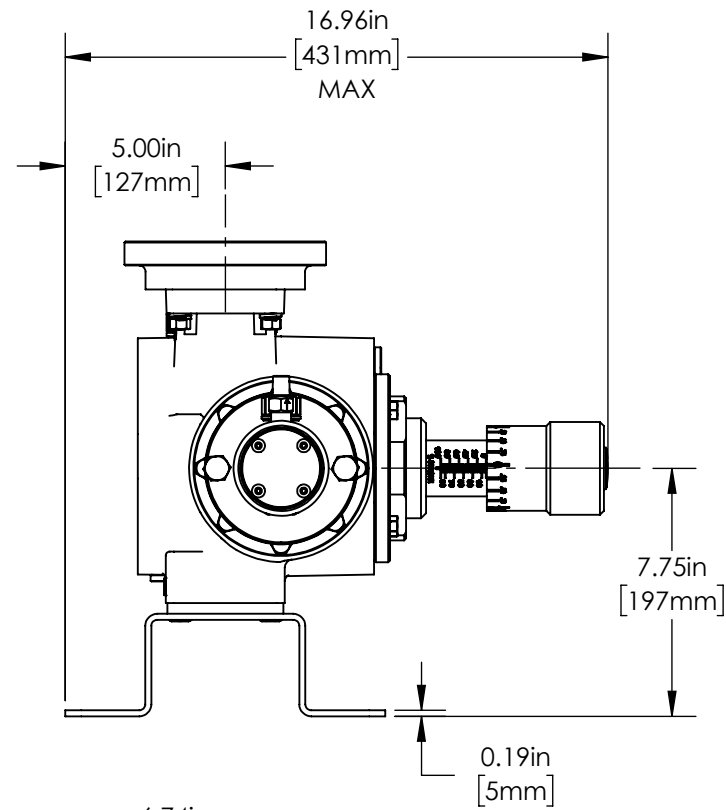
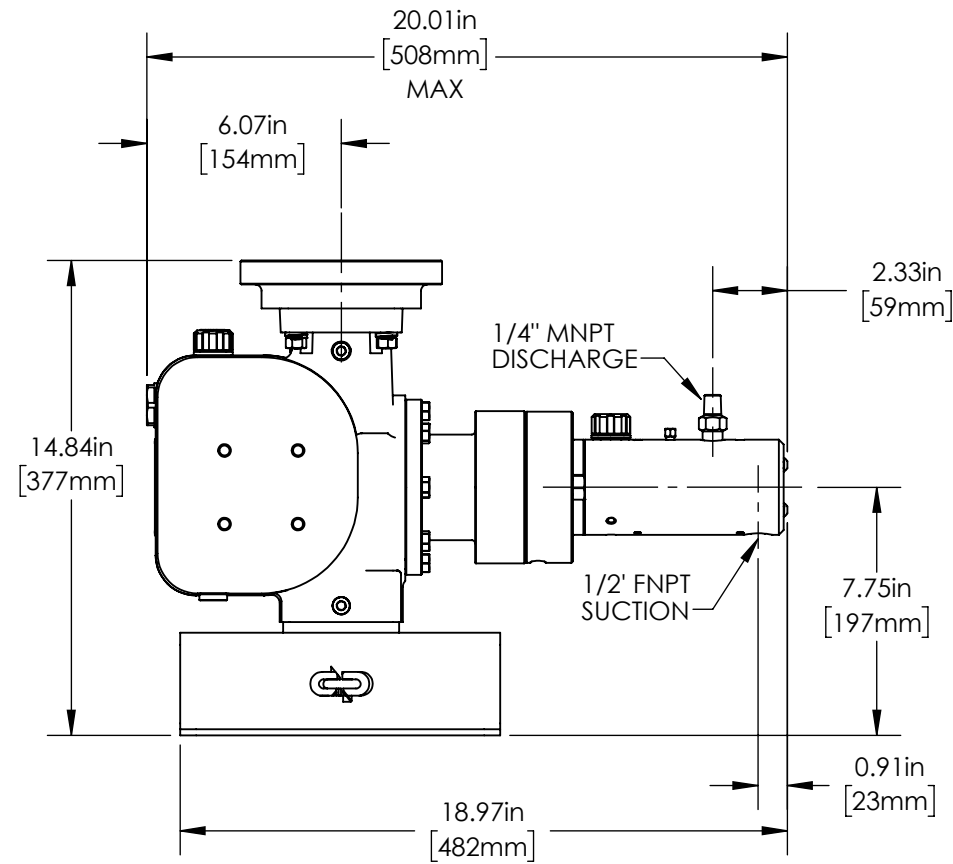


CP CERTIFIED DIMENSIONAL DRAWING

DATE	APPROVED
11/17/22	WRS

D
C
B
A

D
C
B
A



WEIGHT	82.2lb / 37.3kg
--------	-----------------

CP/DWG-ENG-014 REV. 01 EFF. DATE: 01/11/2023

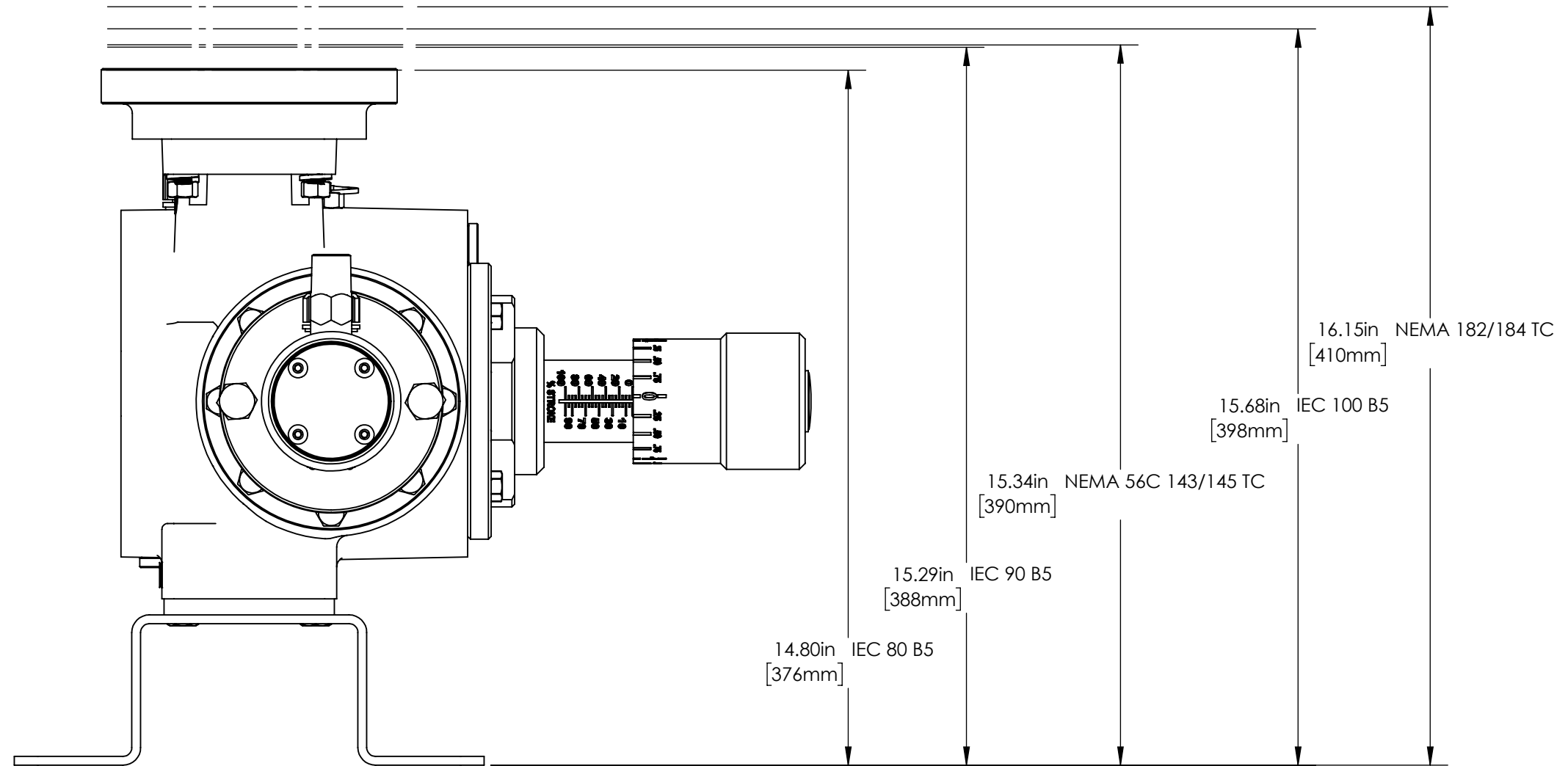
PROPRIETARY AND CONFIDENTIAL
 THE INFORMATION CONTAINED HEREIN IS PROPRIETARY TO CHECKPOINT SYSTEMS AND SHALL NOT BE REPRODUCED OR DISCLOSED IN WHOLE OR IN PART OR USED FOR ANY PURPOSE EXCEPT WHEN SUCH USER POSSESSES DIRECT WRITTEN AUTHORIZATION FROM CHECKPOINT SYSTEMS

21356 MARION LANE
 MANDEVILLE, LA 70471 USA
 TEL 504.340.0770 - FAX 888.217.6402

CheckPoint Pumps & Systems		DWG. TITLE SLA-LEAKLESS 3/8" - MANUAL VERTICAL ASSY	REV. 00	DRAWING NUMBER CDDSLAPL06	SIZE B
SHEET 1 OF 2					

CP CERTIFIED DIMENSIONAL DRAWING

DATE	APPROVED
11/17/22	WRS



MAX HEIGHT DIMENSIONS OF EACH MOTOR FLANGE

WEIGHT	82.2lb / 37.3kg
--------	-----------------

PROPRIETARY AND CONFIDENTIAL
 THE INFORMATION CONTAINED HEREIN IS PROPRIETARY TO CHECKPOINT SYSTEMS AND SHALL NOT BE REPRODUCED OR DISCLOSED IN WHOLE OR IN PART OR USED FOR ANY PURPOSE EXCEPT WHEN SUCH USER POSSESSES DIRECT WRITTEN AUTHORIZATION FROM CHECKPOINT SYSTEMS

CHECKPOINT
PUMPS & SYSTEMS

21356 MARION LANE
 MANDEVILLE, LA 70471 USA
 TEL 504.340.0770 - FAX 888.217.6402

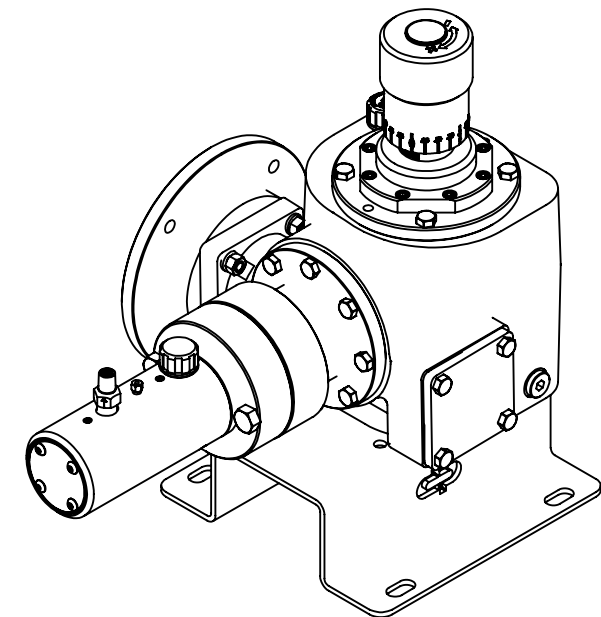
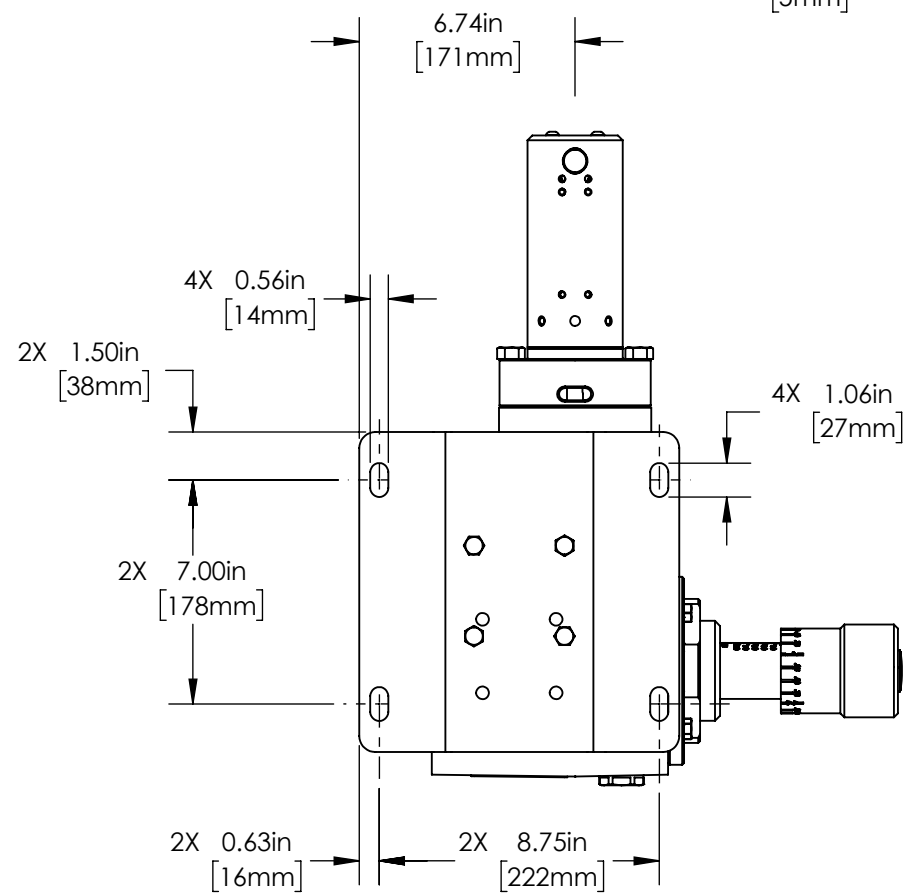
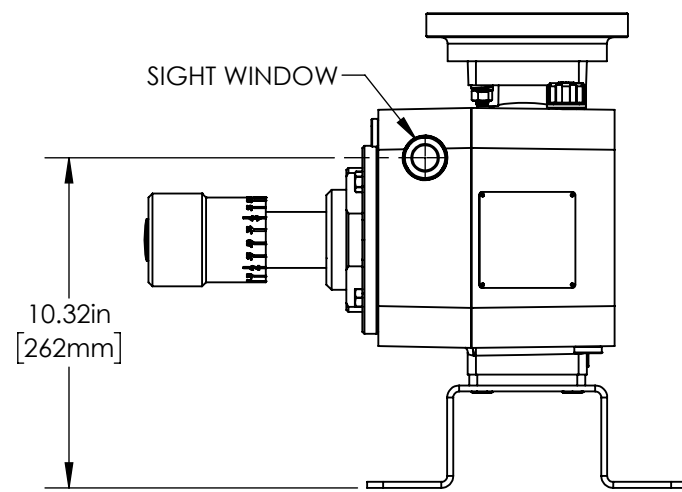
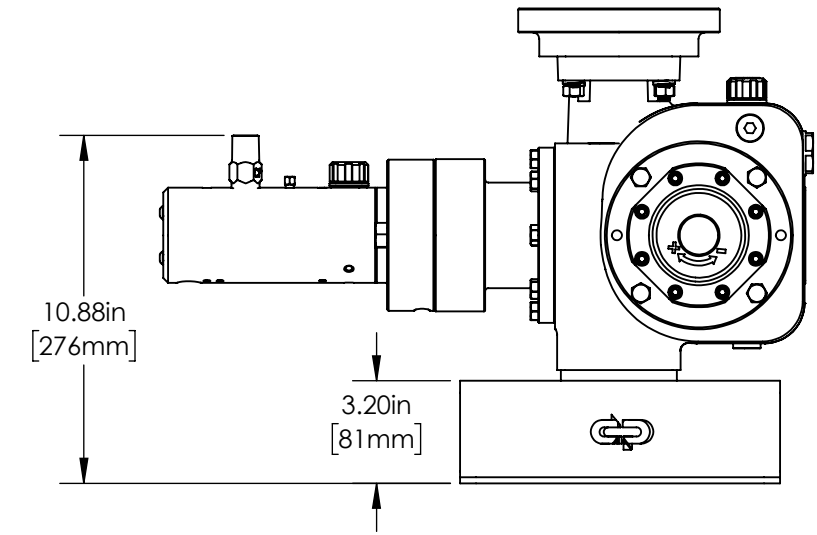
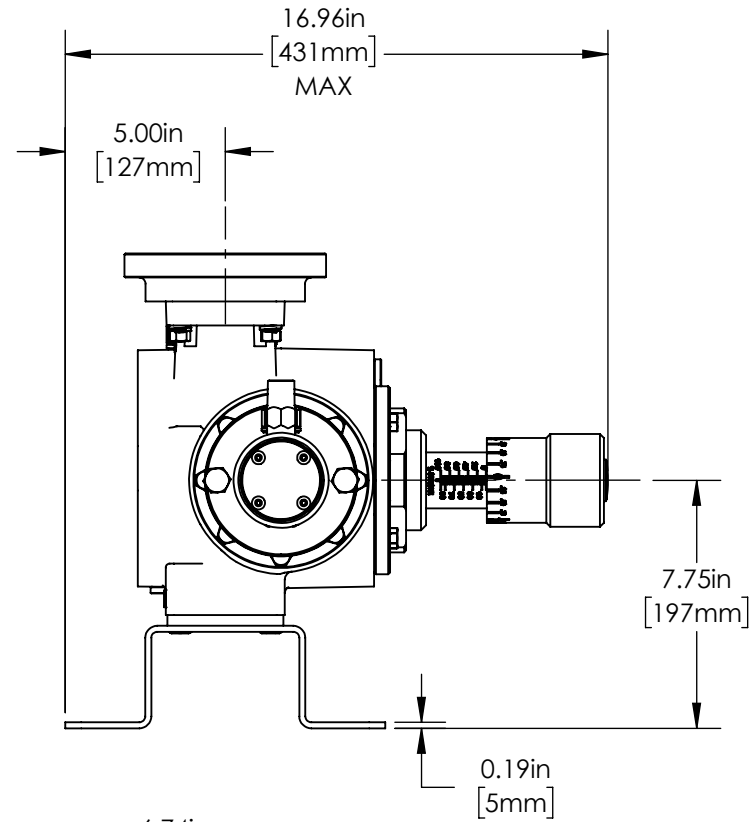
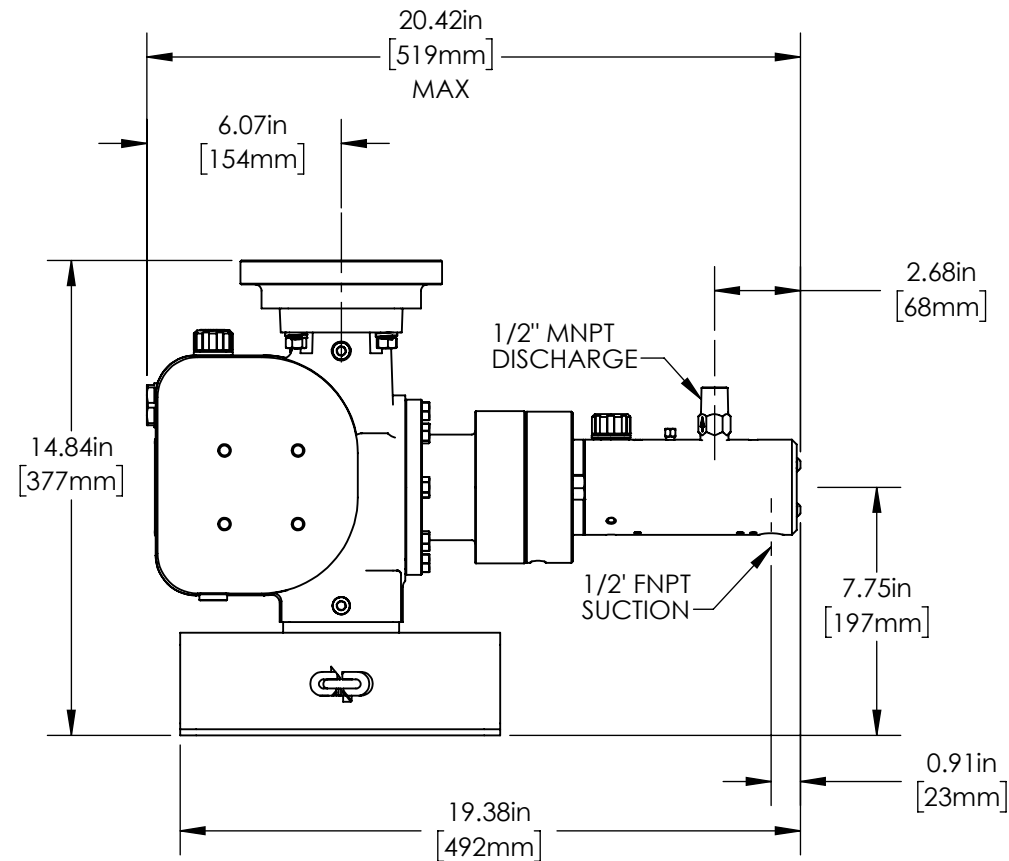
Checkpoint Pumps & Systems	
DWG. TITLE SLA-LEAKLESS 3/8" - MANUAL VERTICAL ASSY	
REV. 00	CDDSLAPL06
DRAWING NUMBER	SIZE B
SHEET 2 OF 2	

CP CERTIFIED DIMENSIONAL DRAWING

DATE	APPROVED
11/17/22	WRS

D
C
B
A

D
C
B
A



WEIGHT	83.1lb / 37.7kg
--------	-----------------

CP/DWG-ENG-015 REV. 01 EFF. DATE: 01/11/2023

PROPRIETARY AND CONFIDENTIAL
 THE INFORMATION CONTAINED HEREIN IS PROPRIETARY TO CHECKPOINT SYSTEMS AND SHALL NOT BE REPRODUCED OR DISCLOSED IN WHOLE OR IN PART OR USED FOR ANY PUPOSE EXCEPT WHEN SUCH USER POSSESSES DIRECT WRITTEN AUTHORIZATION FROM CHECKPOINT SYSTEMS

21356 MARION LANE
 MANDEVILLE, LA 70471 USA
 TEL 504.340.0770 -- FAX 888.217.6402

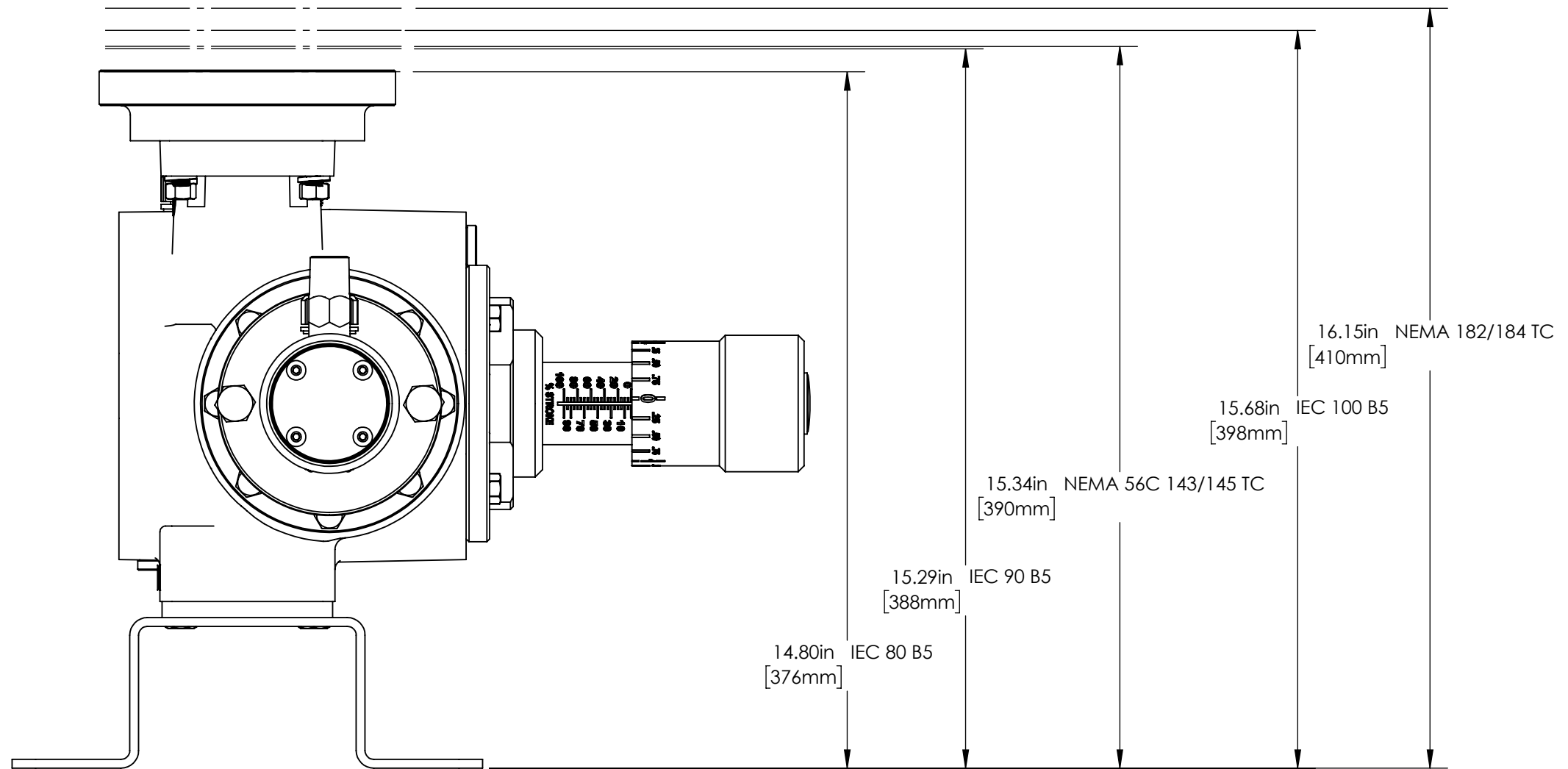
CheckPoint
 Pumps & Systems

DWG. TITLE
SLA-LEAKLESS 1/2" - MANUAL VERTICAL ASSY

REV.	CDDSLAPL08	SIZE	B
DRAWING NUMBER		SHEET 1 OF 2	

CP CERTIFIED DIMENSIONAL DRAWING

DATE	APPROVED
11/17/22	WRS



MAX HEIGHT DIMENSIONS OF EACH MOTOR FLANGE

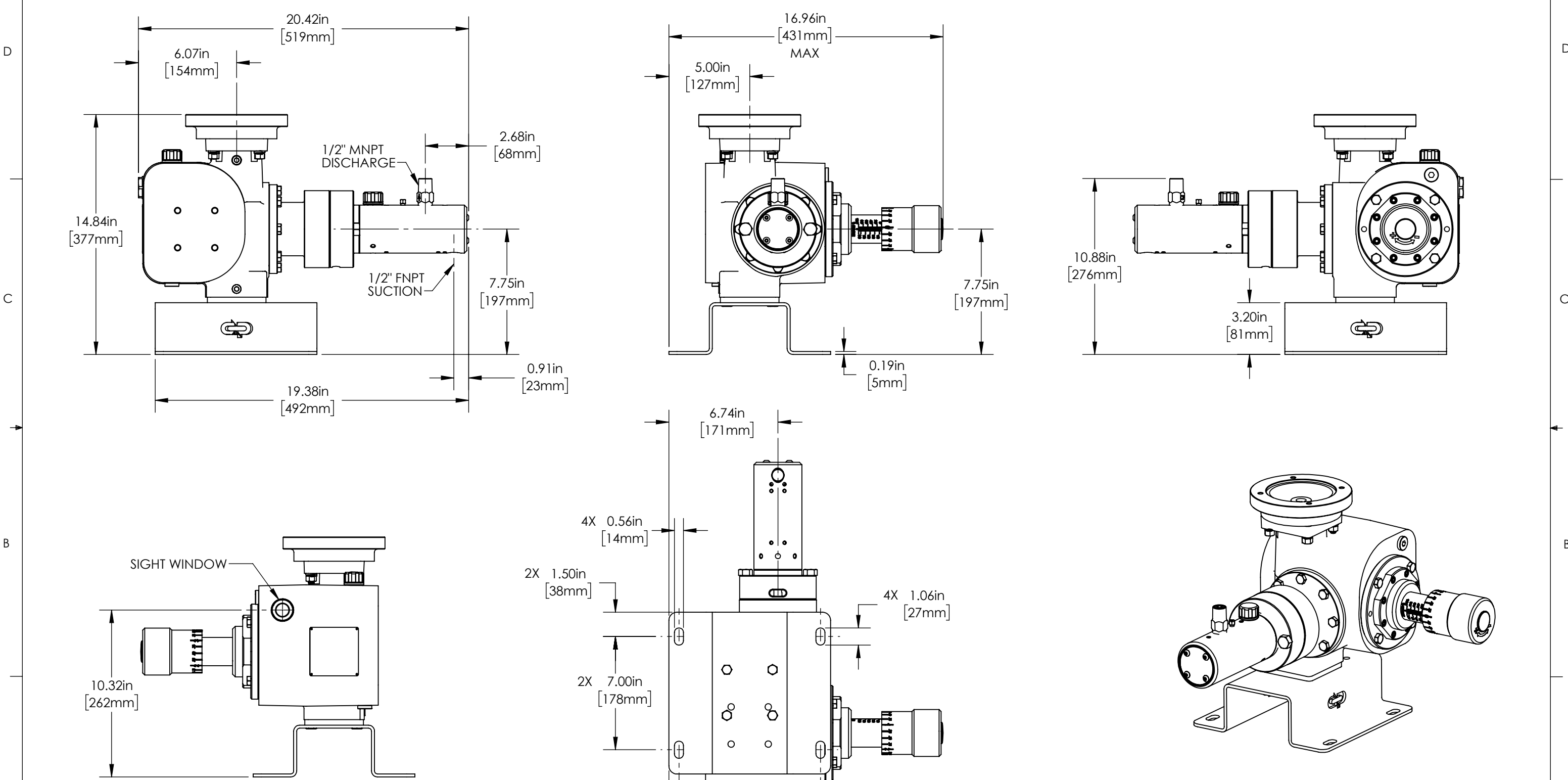
WEIGHT	83.1lb / 37.7kg
--------	-----------------

PROPRIETARY AND CONFIDENTIAL
 THE INFORMATION CONTAINED HEREIN IS PROPRIETARY TO CHECKPOINT SYSTEMS AND SHALL NOT BE REPRODUCED OR DISCLOSED IN WHOLE OR IN PART OR USED FOR ANY PURPOSE EXCEPT WHEN SUCH USER POSSESSES DIRECT WRITTEN AUTHORIZATION FROM CHECKPOINT SYSTEMS

<p>21356 MARION LANE MANDEVILLE, LA 70471 USA TEL 504.340.0770 - FAX 888.217.6402</p>	<p>CheckPoint Pumps & Systems</p>	
	<p>DWG. TITLE SLA-LEAKLESS 1/2" - MANUAL VERTICAL ASSY</p>	
<p>REV. 00</p>	<p>CDDSLAPL08</p>	<p>SIZE B</p>
<p>DRAWING NUMBER</p>		<p>SHEET 2 OF 2</p>

CP CERTIFIED DIMENSIONAL DRAWING

DATE	APPROVED
12/23/22	WRS



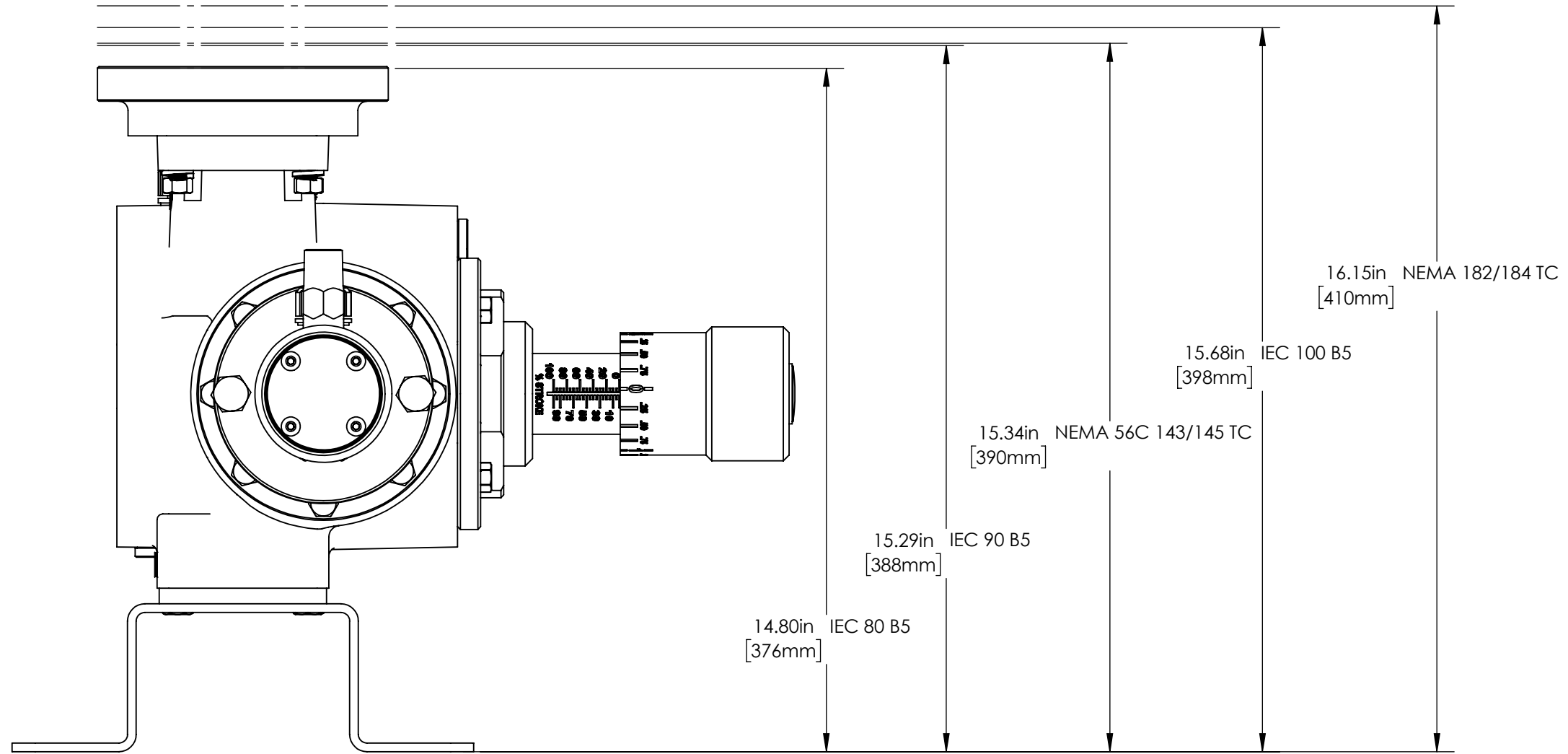
WEIGHT	82.9lb / 37.6kg
--------	-----------------

PROPRIETARY AND CONFIDENTIAL
 THE INFORMATION CONTAINED HEREIN IS PROPRIETARY TO CHECKPOINT SYSTEMS AND SHALL NOT BE REPRODUCED OR DISCLOSED IN WHOLE OR IN PART OR USED FOR ANY PUPOSE EXCEPT WHEN SUCH USER POSSESSES DIRECT WRITTEN AUTHORIZATION FROM CHECKPOINT SYSTEMS

<p>21356 MARION LANE MANDEVILLE, LA 70471 USA TEL 504.340.0770 -- FAX 888.217.6402</p>	<p>CheckPoint Pumps & Systems</p>		<p>SIZE B</p>
	<p>DWG. TITLE SLA-LEAKLESS 0.75" - MANUAL VERTICAL ASSY</p>	<p>REV. 00</p>	
<p>CP/DWG-ENG-016 REV. 01 EFF. DATE: 01/11/2023</p>			<p>SHEET 1 OF 2 Page 2 of 3</p>

CP CERTIFIED DIMENSIONAL DRAWING

DATE	APPROVED
12/23/22	WRS



MAX HEIGHT DIMENSIONS OF EACH MOTOR FLANGE

WEIGHT	82.9lb / 37.6kg
--------	-----------------

PROPRIETARY AND CONFIDENTIAL
 THE INFORMATION CONTAINED HEREIN IS PROPRIETARY TO CHECKPOINT SYSTEMS AND SHALL NOT BE REPRODUCED OR DISCLOSED IN WHOLE OR IN PART OR USED FOR ANY PURPOSE EXCEPT WHEN SUCH USER POSSESSES DIRECT WRITTEN AUTHORIZATION FROM CHECKPOINT SYSTEMS

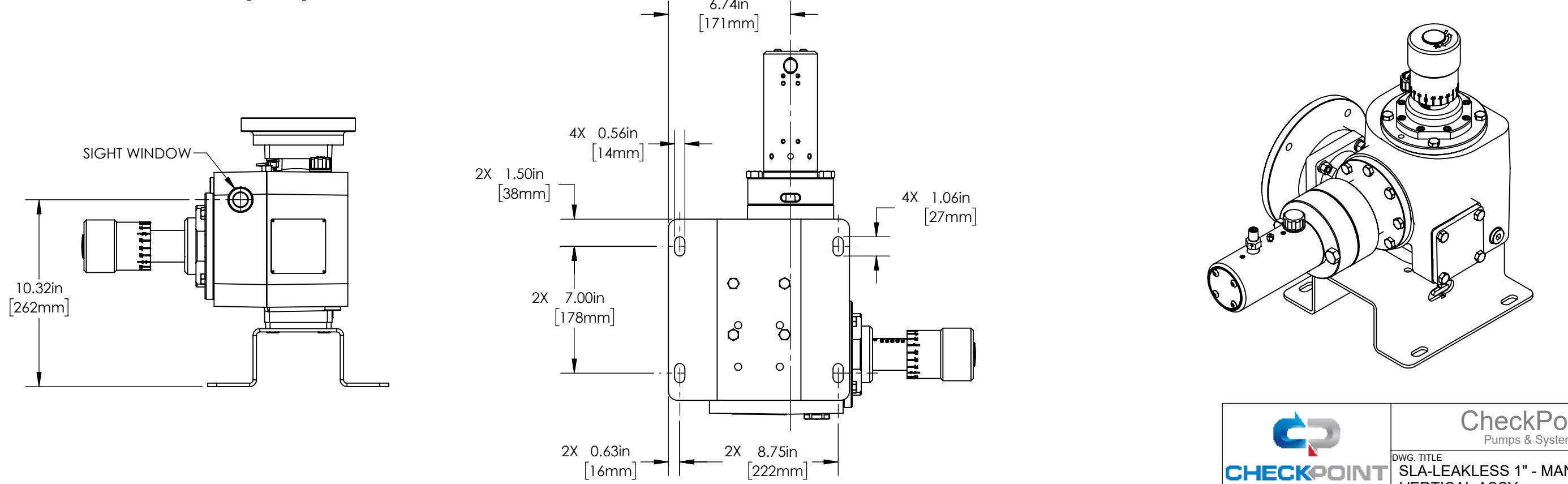
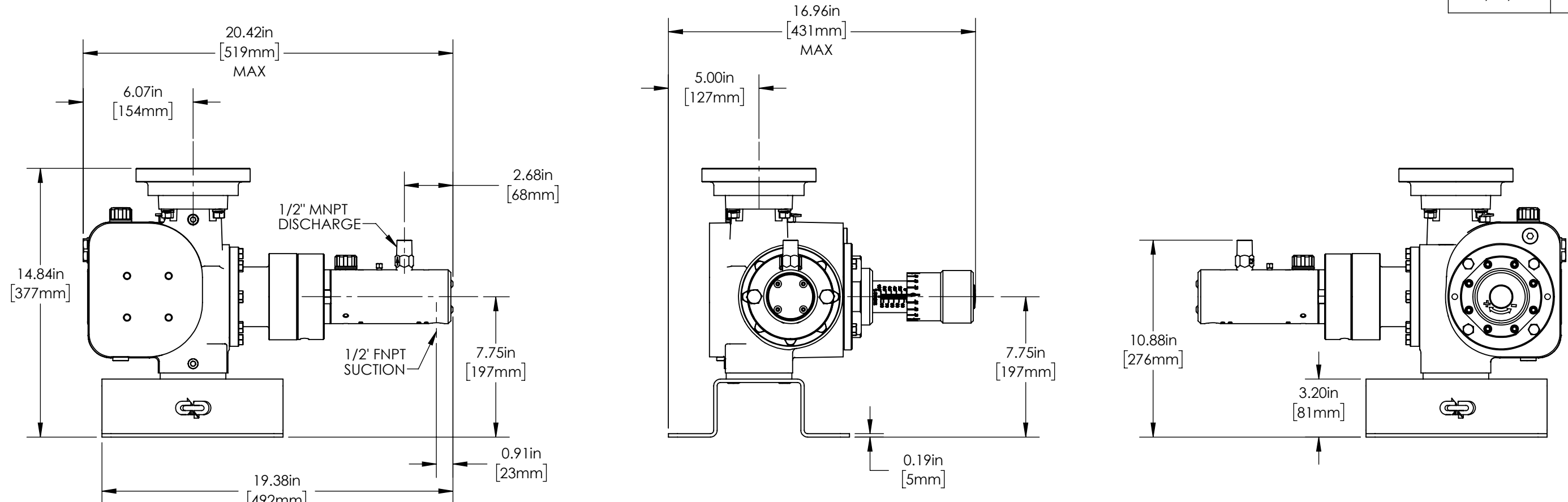
 21356 MARION LANE MANDEVILLE, LA 70471 USA TEL 504.340.0770 - FAX 888.217.6402	CheckPoint Pumps & Systems	
	DWG. TITLE SLA-LEAKLESS 0.75" - MANUAL VERTICAL ASSY	
REV. 00	CDDSLAPL12	SIZE B
DRAWING NUMBER		SHEET 2 OF 2

CP CERTIFIED DIMENSIONAL DRAWING

DATE	APPROVED
11/16/22	WRS

D
C
B
A

D
C
B
A



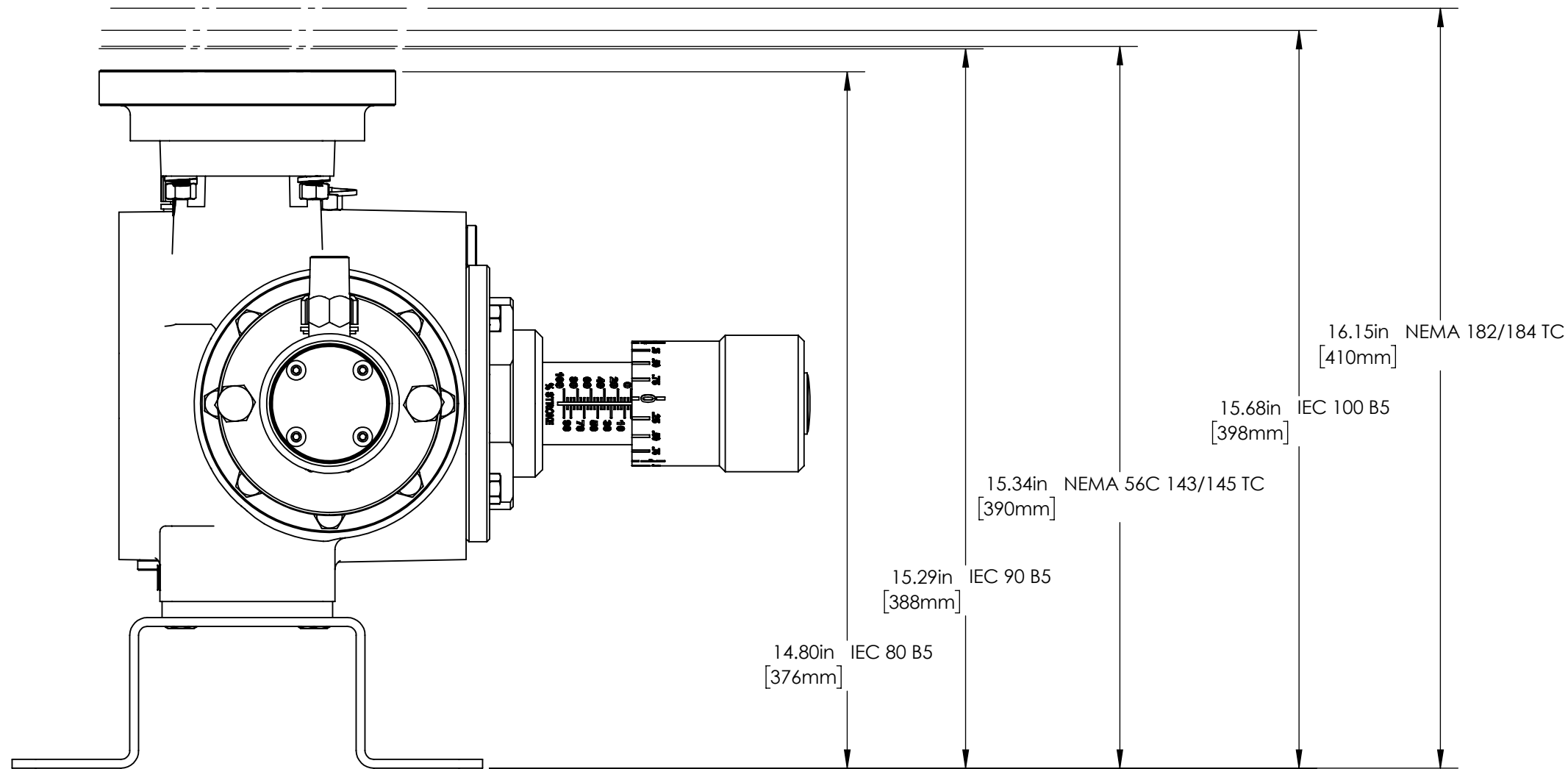
WEIGHT	82.6lb / 37.5kg
--------	-----------------

PROPRIETARY AND CONFIDENTIAL
 THE INFORMATION CONTAINED HEREIN IS PROPRIETARY TO CHECKPOINT SYSTEMS AND SHALL NOT BE REPRODUCED OR DISCLOSED IN WHOLE OR IN PART OR USED FOR ANY PUPOSE EXCEPT WHEN SUCH USER POSSESSES DIRECT WRITTEN AUTHORIZATION FROM CHECKPOINT SYSTEMS

 21356 MARION LANE MANDEVILLE, LA 70471 USA TEL 504.340.0770 -- FAX 888.217.6402	CheckPoint Pumps & Systems	
	DWG. TITLE SLA-LEAKLESS 1" - MANUAL VERTICAL ASSY	
REV. 00	CDDSLAPL16	SIZE B
DRAWING NUMBER		SHEET 1 OF 2

CP CERTIFIED DIMENSIONAL DRAWING

DATE	APPROVED
11/17/22	WRS



MAX HEIGHT DIMENSIONS OF EACH MOTOR FLANGE

WEIGHT	82.6lb / 37.5kg
--------	-----------------

PROPRIETARY AND CONFIDENTIAL
 THE INFORMATION CONTAINED HEREIN IS PROPRIETARY TO CHECKPOINT SYSTEMS AND SHALL NOT BE REPRODUCED OR DISCLOSED IN WHOLE OR IN PART OR USED FOR ANY PURPOSE EXCEPT WHEN SUCH USER POSSESSES DIRECT WRITTEN AUTHORIZATION FROM CHECKPOINT SYSTEMS

21356 MARION LANE
 MANDEVILLE, LA 70471 USA
 TEL 504.340.0770 - FAX 888.217.6402

DWG. TITLE SLA-LEAKLESS 1" - MANUAL VERTICAL ASSY	
REV. 00	CDDSLAPL16
DRAWING NUMBER	
SHEET 2 OF 2	