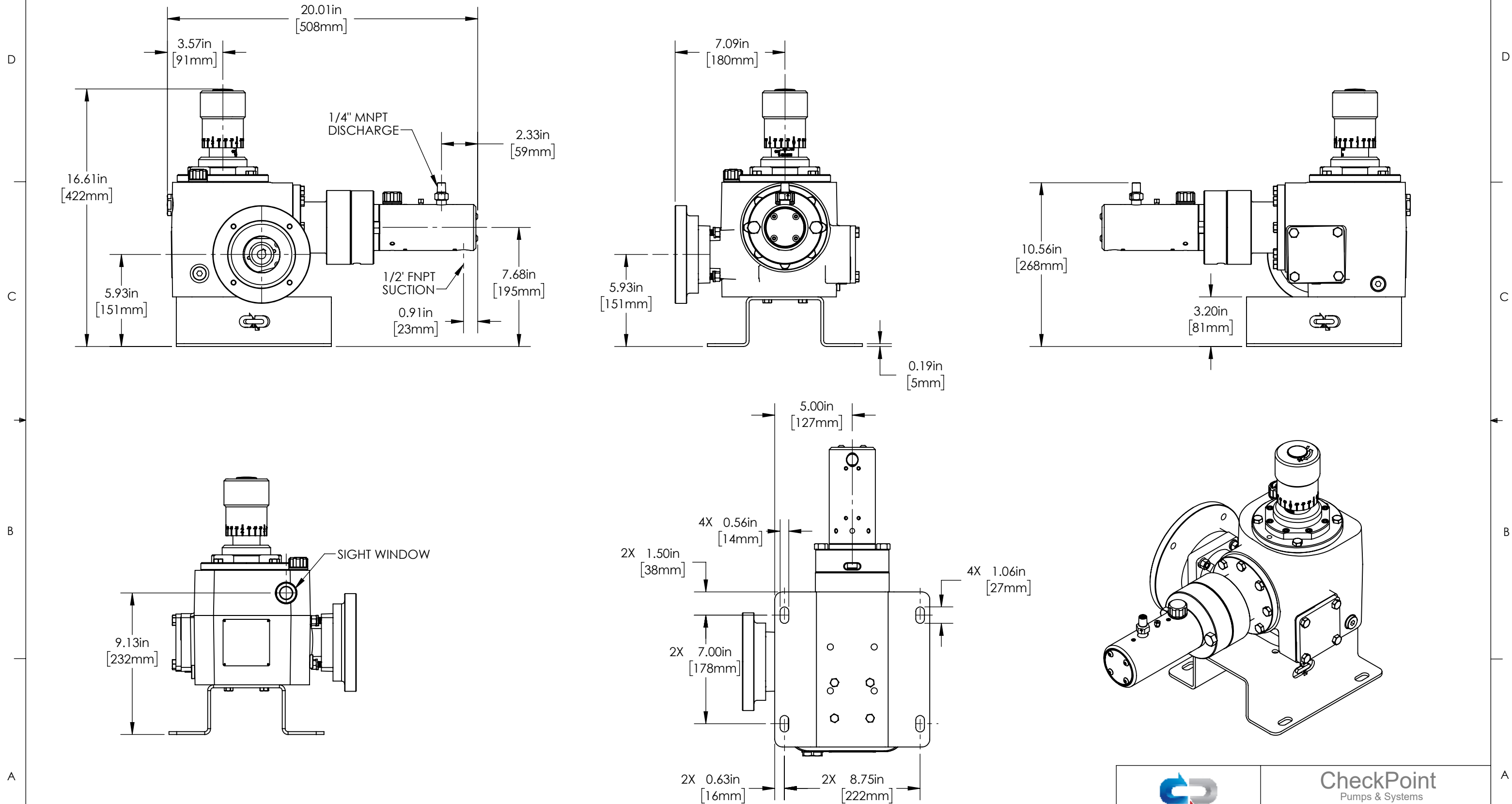




**CP CERTIFIED DIMENSIONAL DRAWING**

DATE	APPROVED
12/21/22	WRS



WEIGHT	82.2lb / 37.3kg
--------	-----------------

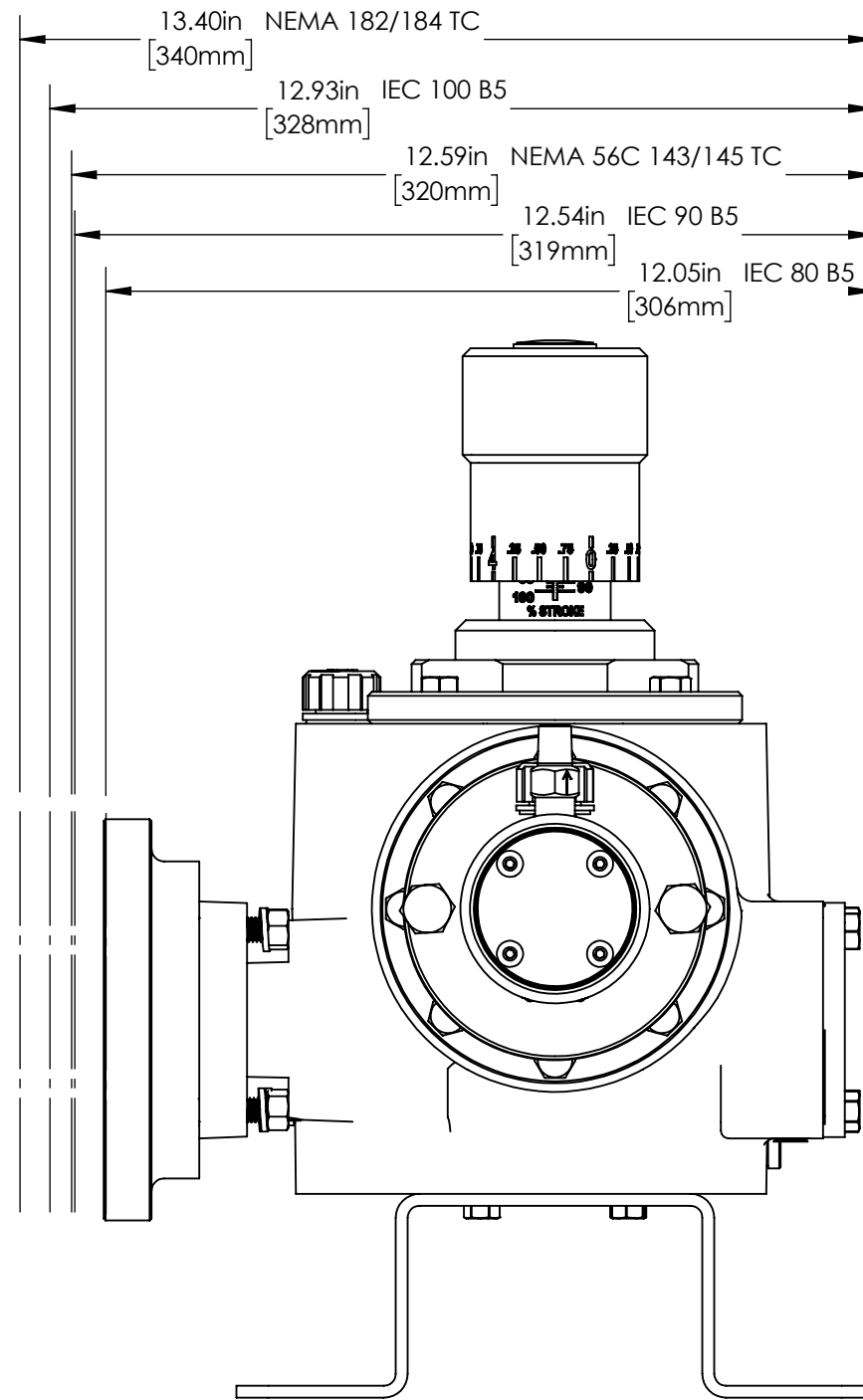
PROPRIETARY AND CONFIDENTIAL  
 THE INFORMATION CONTAINED HEREIN IS PROPRIETARY TO CHECKPOINT SYSTEMS AND SHALL NOT BE REPRODUCED OR DISCLOSED IN WHOLE OR IN PART OR USED FOR ANY PURPOSE EXCEPT WHEN SUCH USER POSSESSES DIRECT WRITTEN AUTHORIZATION FROM CHECKPOINT SYSTEMS



DWG. TITLE <b>SLA-LEAKLESS 3/8" - MANUAL HORIZONTAL ASSY</b>	
REV.	00
DRAWING NUMBER	CDDSLAPL06H
SIZE	B
SHEET 1 OF 2	

**CP CERTIFIED DIMENSIONAL DRAWING**

DATE	APPROVED
12/21/22	WRS



**MAX WIDTH DIMENSIONS OF EACH MOTOR FLANGE**

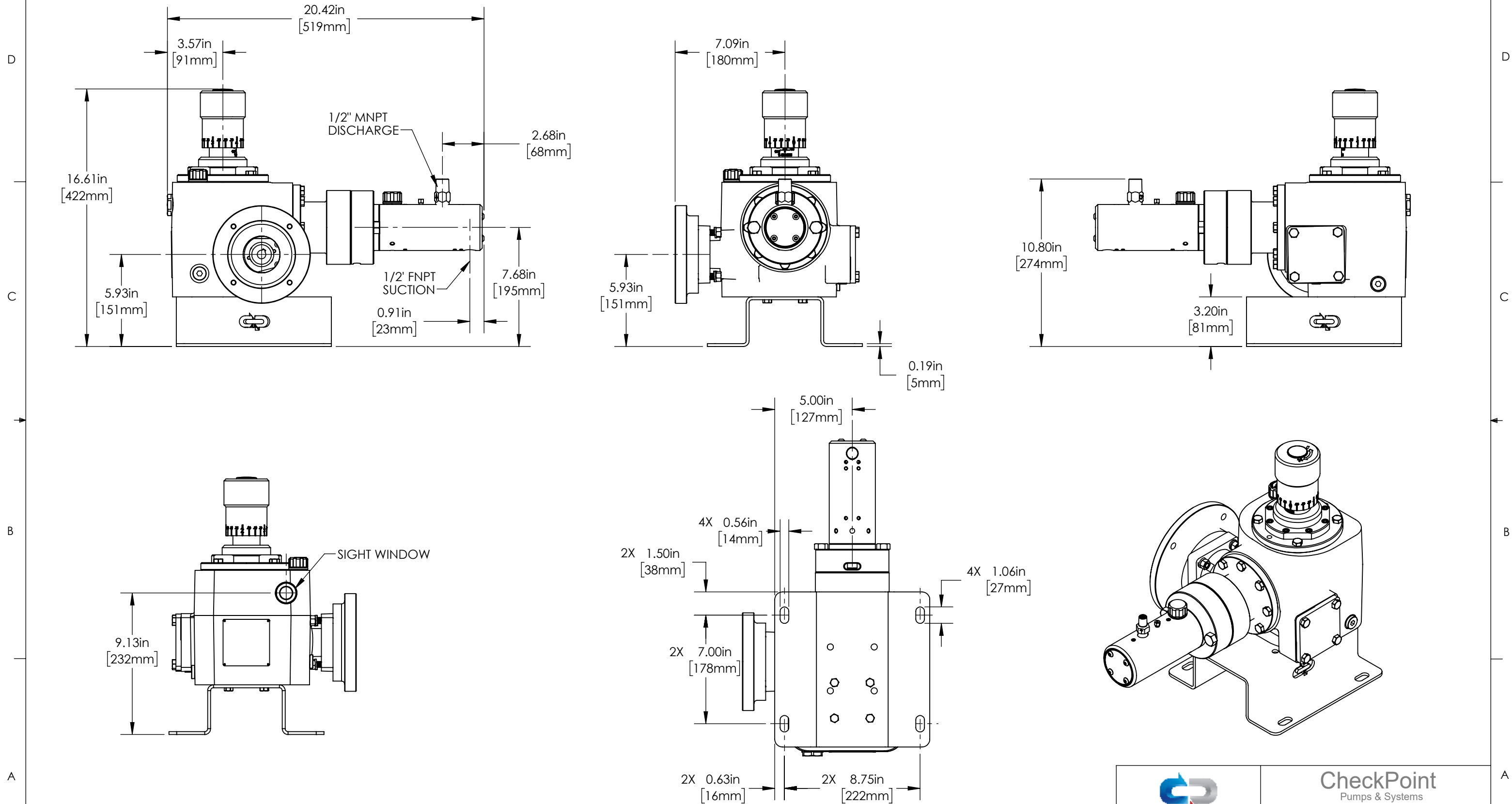
WEIGHT	82.2lb / 37.3kg
--------	-----------------

PROPRIETARY AND CONFIDENTIAL  
 THE INFORMATION CONTAINED HEREIN IS PROPRIETARY TO CHECKPOINT SYSTEMS AND SHALL NOT BE REPRODUCED OR DISCLOSED IN WHOLE OR IN PART OR USED FOR ANY PUPOSE EXCEPT WHEN SUCH USER POSSESSES DIRECT WRITTEN AUTHORIZATION FROM CHECKPOINT SYSTEMS

	<b>CheckPoint</b> Pumps & Systems	
	DWG. TITLE <b>SLA-LEAKLESS 3/8" - MANUAL HORIZONTAL ASSY</b>	
REV. <b>00</b>	DRAWING NUMBER <b>CDDSLAPL06H</b>	SIZE <b>B</b>
SHEET 2 OF 2		Page 3 of 3

**CP CERTIFIED DIMENSIONAL DRAWING**

DATE	APPROVED
12/21/22	WRS



WEIGHT	83lb / 37.6kg
--------	---------------

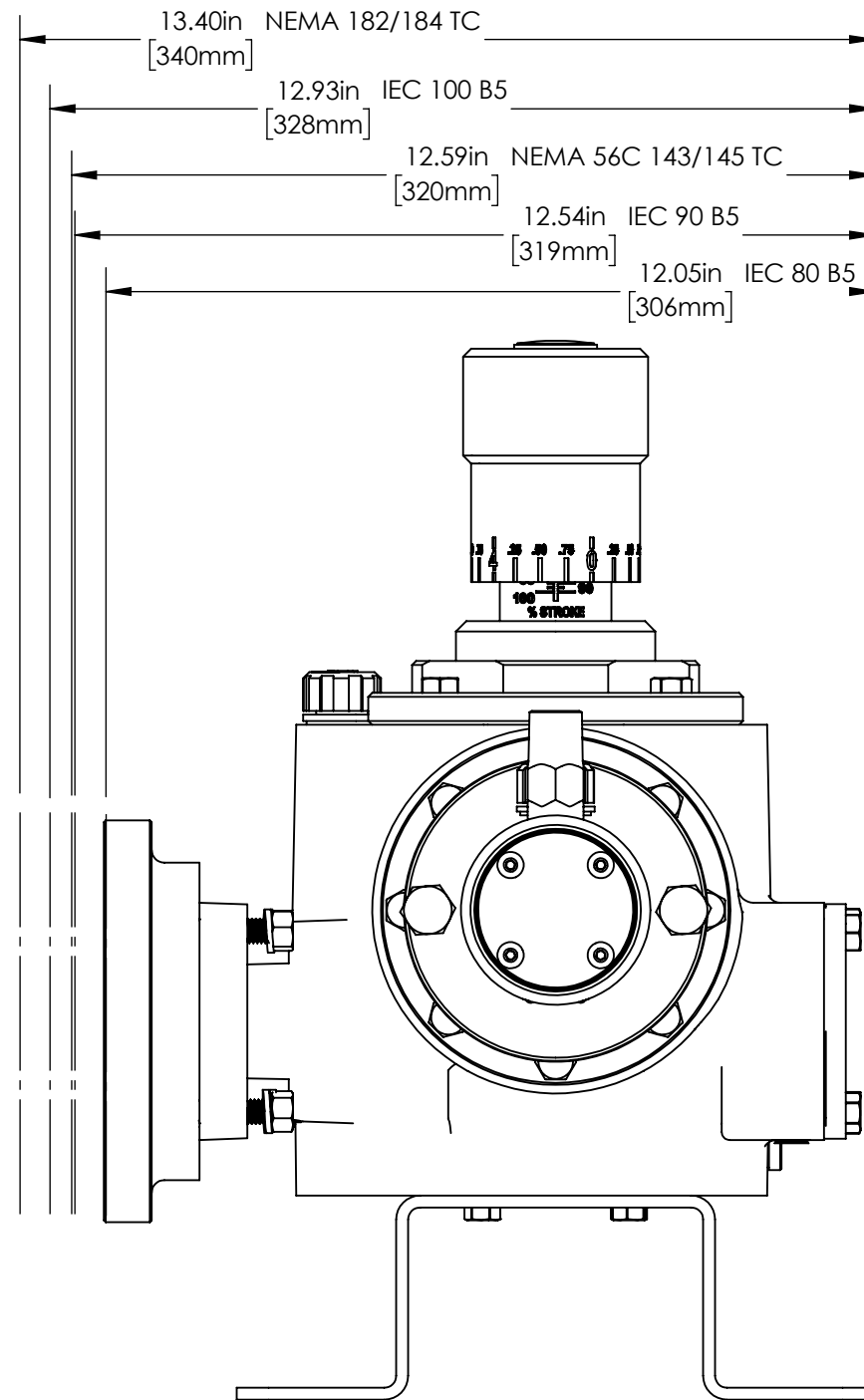
PROPRIETARY AND CONFIDENTIAL  
 THE INFORMATION CONTAINED HEREIN IS PROPRIETARY TO CHECKPOINT SYSTEMS AND SHALL NOT BE REPRODUCED OR DISCLOSED IN WHOLE OR IN PART OR USED FOR ANY PUPOSE EXCEPT WHEN SUCH USER POSSESSES DIRECT WRITTEN AUTHORIZATION FROM CHECKPOINT SYSTEMS



<b>CheckPoint</b> Pumps & Systems	
DWG. TITLE <b>SLA-LEAKLESS 1/2" - MANUAL HORIZONTAL ASSY</b>	
REV. <b>00</b>	DWG. NUMBER <b>CDDSLAPL08H</b>
SIZE <b>B</b>	SHEET 1 OF 2

**CP CERTIFIED DIMENSIONAL DRAWING**

DATE	APPROVED
12/21/22	WRS



**MAX WIDTH DIMENSIONS OF EACH MOTOR FLANGE**

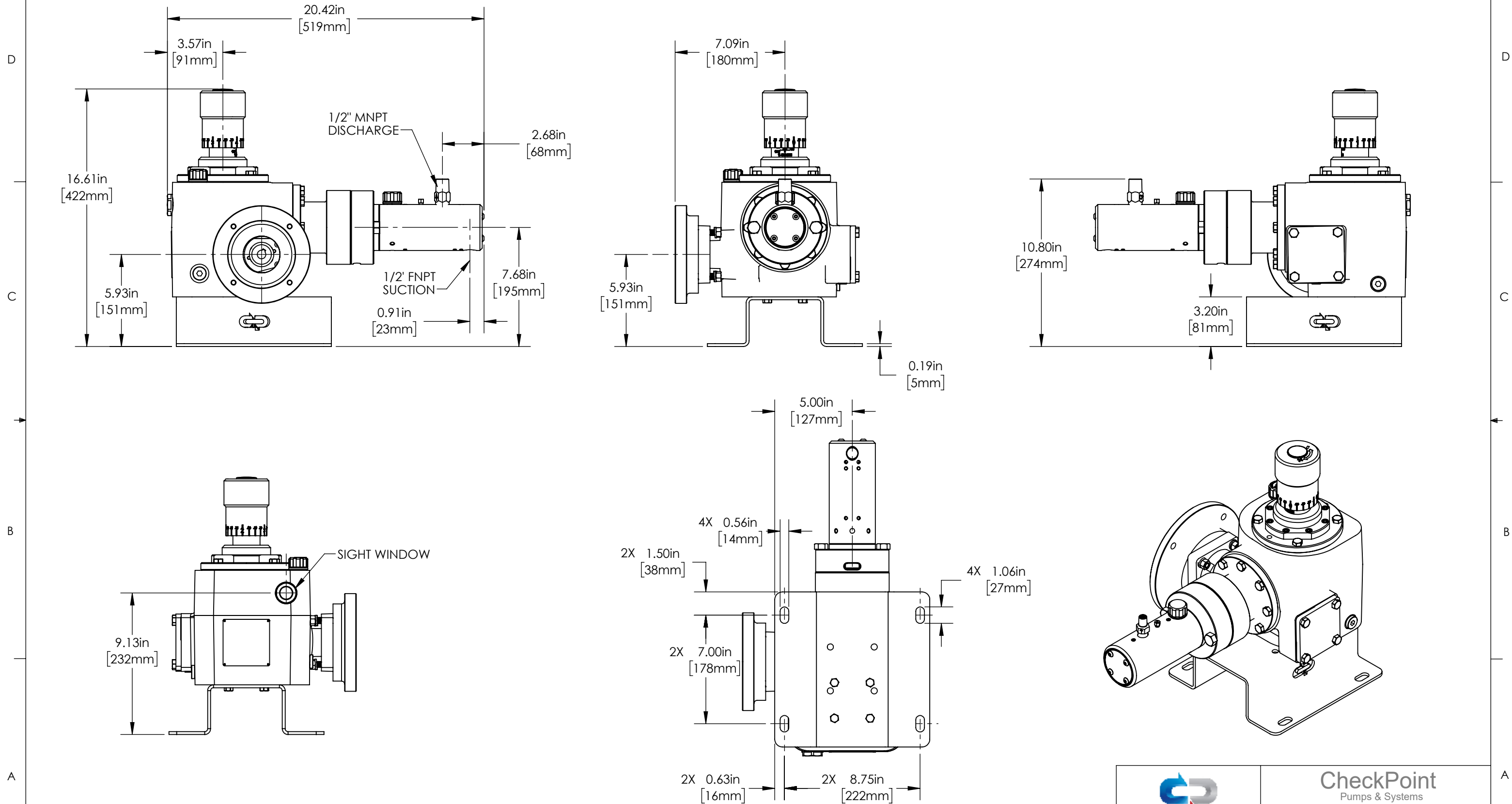
WEIGHT	83lb / 37.6kg
--------	---------------

PROPRIETARY AND CONFIDENTIAL  
 THE INFORMATION CONTAINED HEREIN IS PROPRIETARY TO CHECKPOINT SYSTEMS AND SHALL NOT BE REPRODUCED OR DISCLOSED IN WHOLE OR IN PART OR USED FOR ANY PUPOSE EXCEPT WHEN SUCH USER POSSESSES DIRECT WRITTEN AUTHORIZATION FROM CHECKPOINT SYSTEMS

<p>21356 MARION LANE                  MANDEVILLE, LA 70471 USA                  TEL 504.340.0770 -- FAX 888.217.6402</p>	<p><b>CheckPoint</b> Pumps &amp; Systems</p>	
	<p>DWG. TITLE  <b>SLA-LEAKLESS 1/2" - MANUAL HORIZONTAL ASSY</b></p>	
<p>REV.  <b>00</b></p>	<p>DRAWING NUMBER  <b>CDDSLAPL08H</b></p>	<p>SIZE  <b>B</b></p>
<p>SHEET 2 OF 2</p>		<p>Page 3 of 3</p>

**CP CERTIFIED DIMENSIONAL DRAWING**

DATE	APPROVED
12/21/22	WRS



WEIGHT	82.7lb / 37.5kg
--------	-----------------

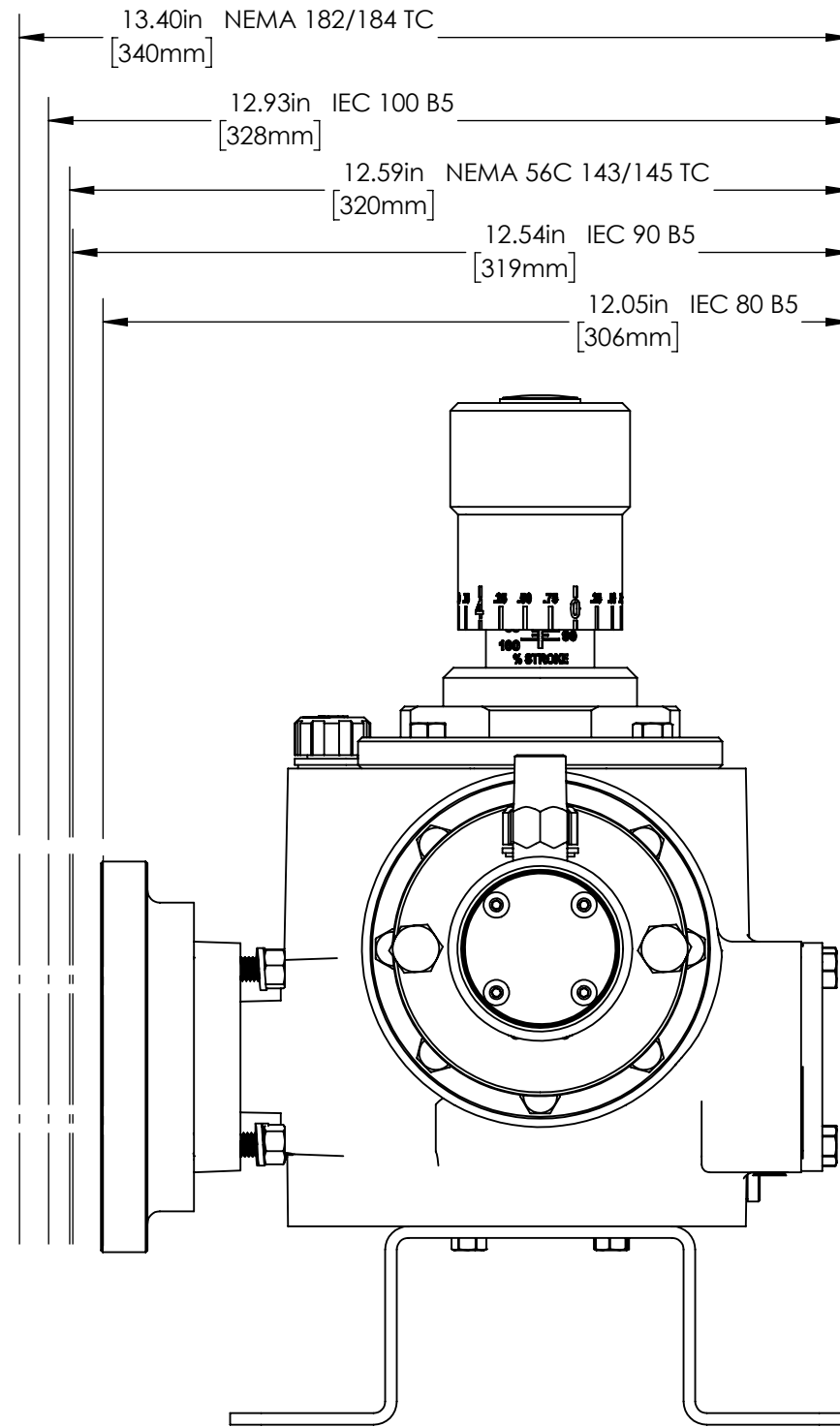
PROPRIETARY AND CONFIDENTIAL  
 THE INFORMATION CONTAINED HEREIN IS PROPRIETARY TO CHECKPOINT SYSTEMS AND SHALL NOT BE REPRODUCED OR DISCLOSED IN WHOLE OR IN PART OR USED FOR ANY PUPOSE EXCEPT WHEN SUCH USER POSSESSES DIRECT WRITTEN AUTHORIZATION FROM CHECKPOINT SYSTEMS



DWG. TITLE <b>SLA-LEAKLESS 3/4" - MANUAL HORIZONTAL ASSY</b>	
REV. 00	CDDSLAPL12H
DRAWING NUMBER	SHEET 1 OF 2
SIZE B	Page 2 of 3

**CP CERTIFIED DIMENSIONAL DRAWING**

DATE	APPROVED
12/21/22	WRS



**MAX WIDTH DIMENSIONS OF EACH MOTOR FLANGE**

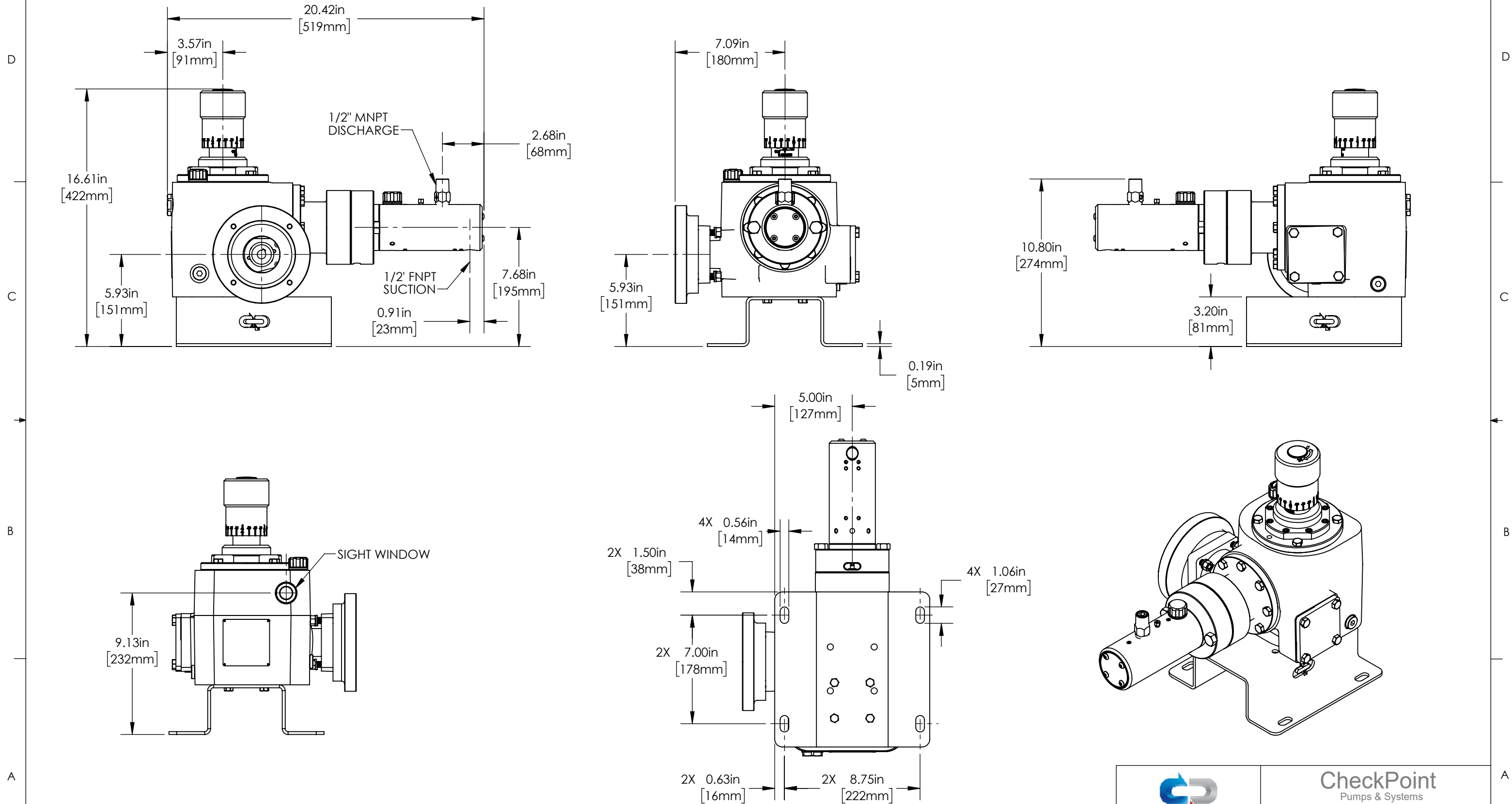
WEIGHT	82.7lb / 37.5kg
--------	-----------------

PROPRIETARY AND CONFIDENTIAL  
 THE INFORMATION CONTAINED HEREIN IS PROPRIETARY TO CHECKPOINT SYSTEMS AND SHALL NOT BE REPRODUCED OR DISCLOSED IN WHOLE OR IN PART OR USED FOR ANY PUPOSE EXCEPT WHEN SUCH USER POSSESSES DIRECT WRITTEN AUTHORIZATION FROM CHECKPOINT SYSTEMS

<p>21356 MARION LANE                  MANDEVILLE, LA 70471 USA                  TEL 504.340.0770 -- FAX 888.217.6402</p>	<p><b>CheckPoint</b> Pumps &amp; Systems</p>	
	<p>DWG. TITLE  <b>SLA-LEAKLESS 3/4" - MANUAL HORIZONTAL ASSY</b></p>	
<p>REV.  <b>00</b></p>	<p>DRAWING NUMBER  <b>CDDSLAPL12H</b></p>	<p>SIZE  <b>B</b></p>
<p>DRAWING NUMBER</p>		<p>SHEET 2 OF 2</p>

**CP CERTIFIED DIMENSIONAL DRAWING**

DATE	APPROVED
12/21/22	WRS



WEIGHT	82.4lb / 37.4kg
--------	-----------------

PROPRIETARY AND CONFIDENTIAL  
 THE INFORMATION CONTAINED HEREIN IS PROPRIETARY TO CHECKPOINT SYSTEMS AND SHALL NOT BE REPRODUCED OR DISCLOSED IN WHOLE OR IN PART OR USED FOR ANY PUPOSE EXCEPT WHEN SUCH USER POSSESSES DIRECT WRITTEN AUTHORIZATION FROM CHECKPOINT SYSTEMS

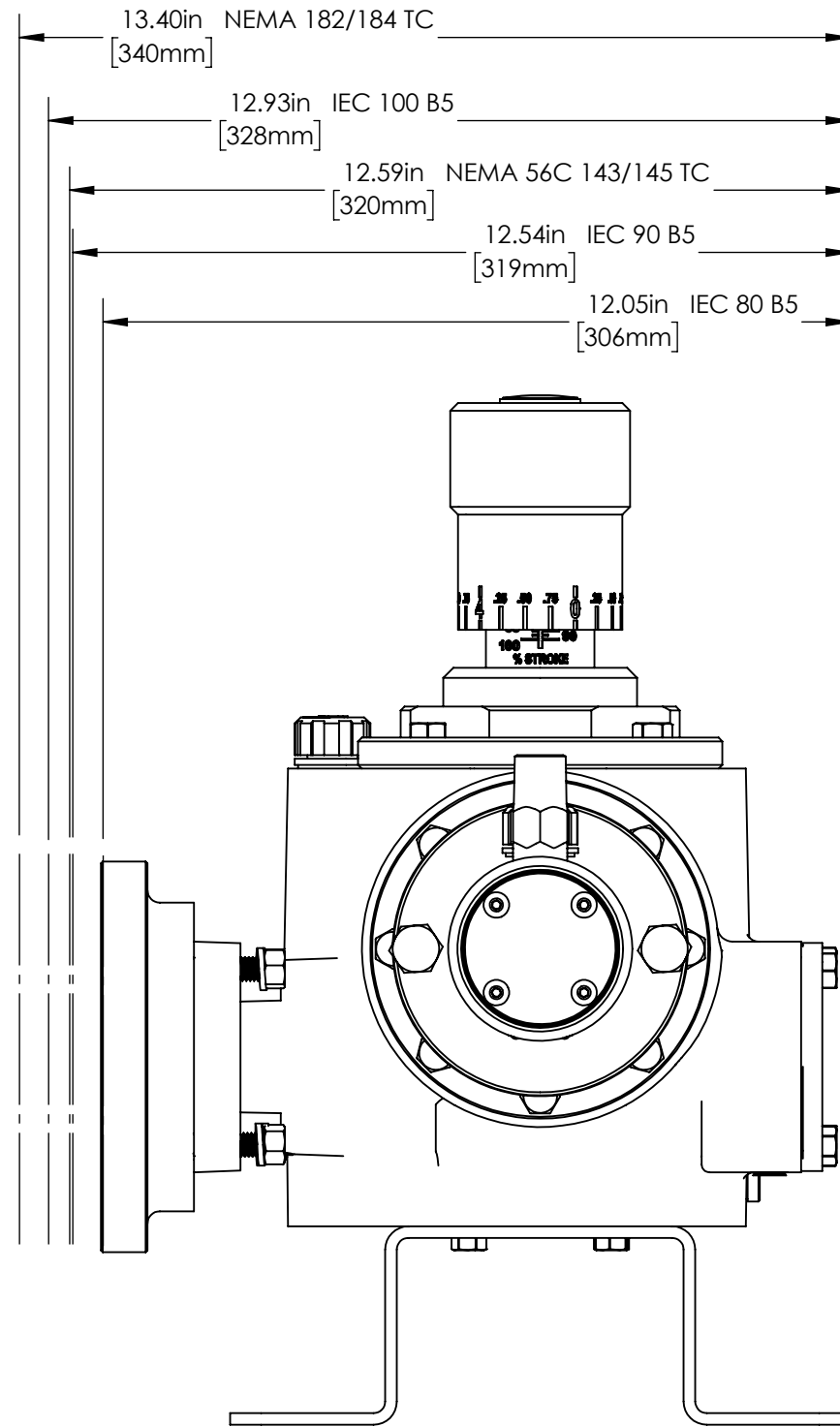


DWG. TITLE <b>SLA-LEAKLESS 1" - MANUAL HORIZONTAL ASSY</b>	
REV. 00	CDDSLAPL16H
DRAWING NUMBER	SHEET 1 OF 2
SIZE B	Page 2 of 3



**CP CERTIFIED DIMENSIONAL DRAWING**

DATE	APPROVED
12/21/22	WRS



**MAX WIDTH DIMENSIONS OF EACH MOTOR FLANGE**

WEIGHT	82.4lb / 37.4kg
--------	-----------------

PROPRIETARY AND CONFIDENTIAL  
 THE INFORMATION CONTAINED HEREIN IS PROPRIETARY TO CHECKPOINT SYSTEMS AND SHALL NOT BE REPRODUCED OR DISCLOSED IN WHOLE OR IN PART OR USED FOR ANY PUPOSE EXCEPT WHEN SUCH USER POSSESSES DIRECT WRITTEN AUTHORIZATION FROM CHECKPOINT SYSTEMS

 21356 MARION LANE MANDEVILLE, LA 70471 USA TEL 504.340.0770 -- FAX 888.217.6402	CheckPoint Pumps & Systems	
	DWG. TITLE SLA-LEAKLESS 1" - MANUAL HORIZONTAL ASSY	
REV. 00	CDDSLAPL16H	SIZE B
DRAWING NUMBER		SHEET 2 OF 2