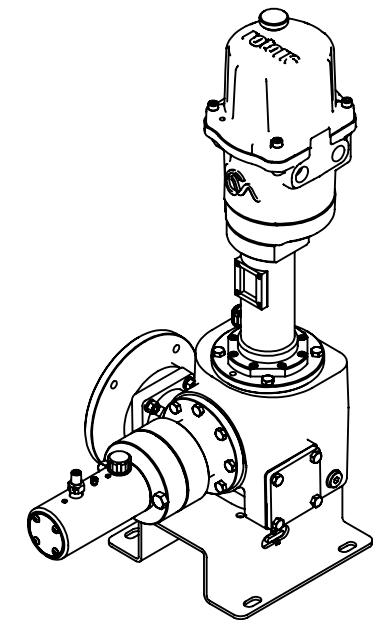
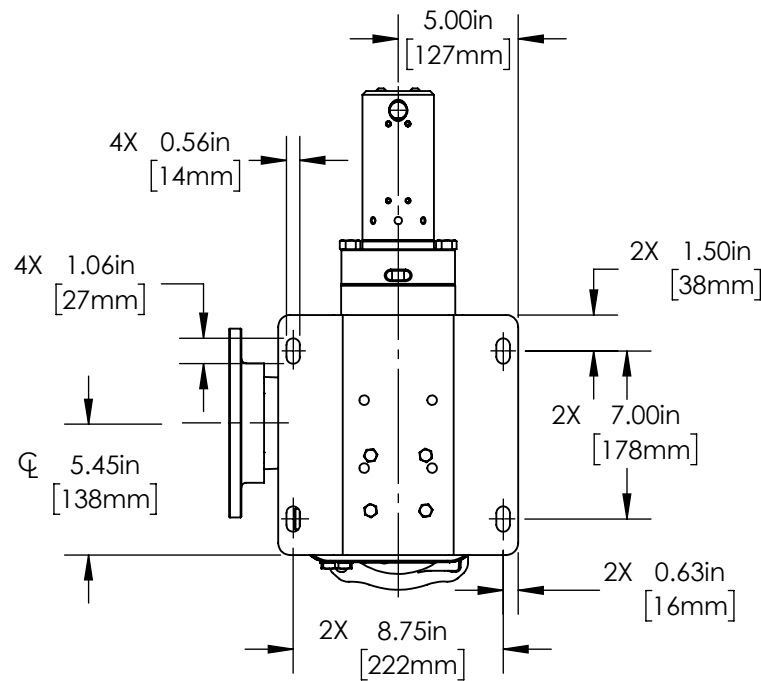
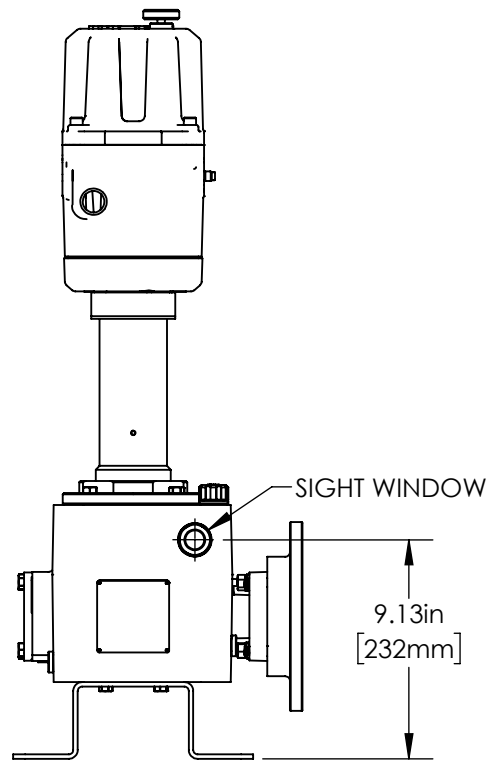
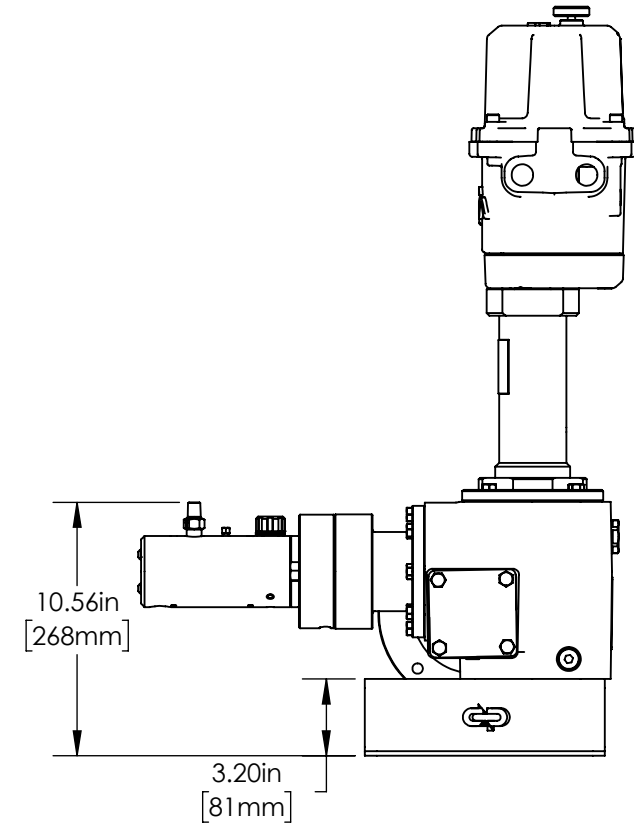
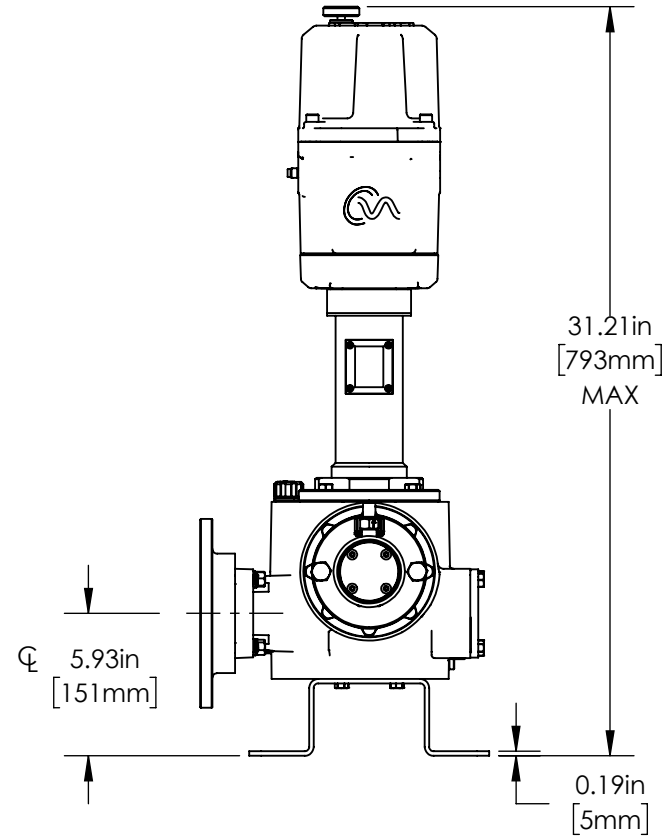
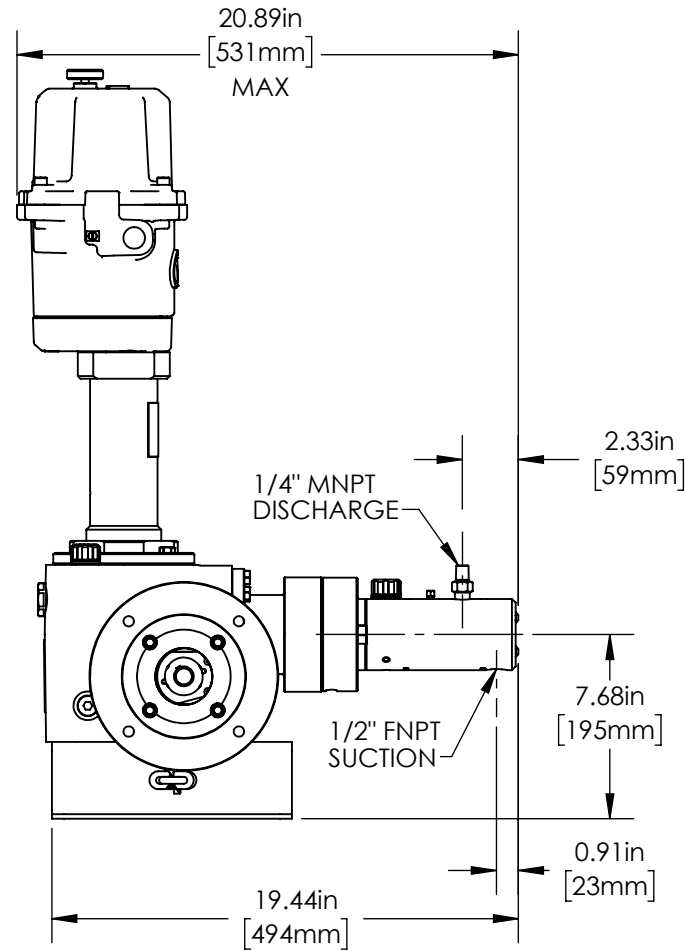




CP CERTIFIED DIMENSIONAL DRAWING

DATE	APPROVED
10/28/22	WRS



WEIGHT	208.3lb / 94.5kg
--------	------------------

PROPRIETARY AND CONFIDENTIAL

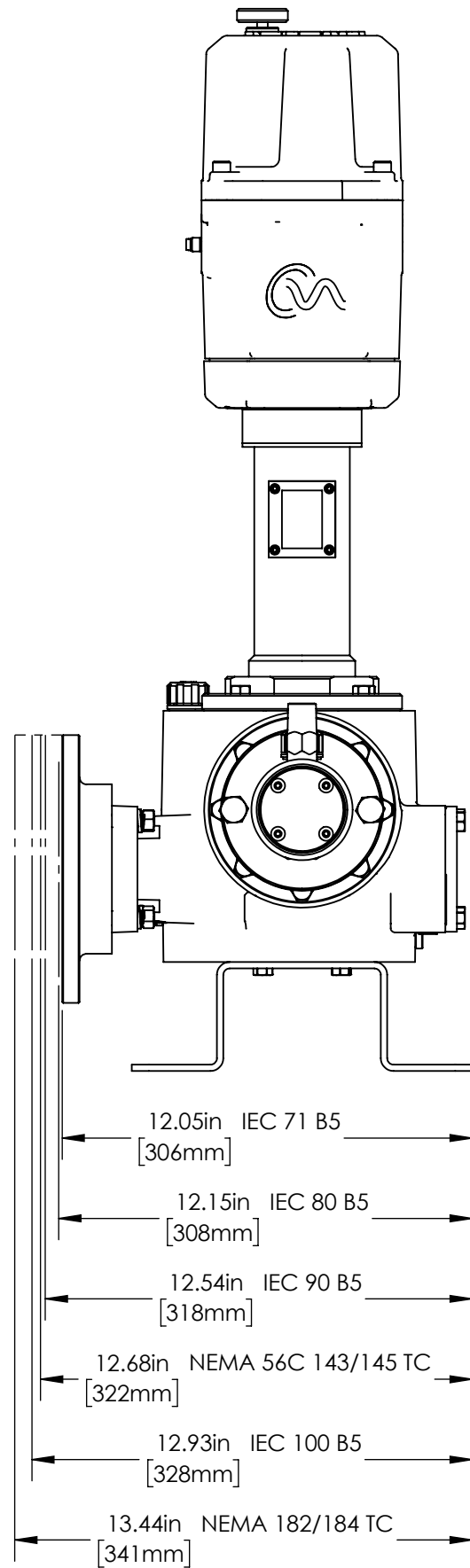
THE INFORMATION CONTAINED HEREIN IS PROPRIETARY TO CHECKPOINT SYSTEMS AND SHALL NOT BE REPRODUCED OR DISCLOSED IN WHOLE OR IN PART OR USED FOR ANY PURPOSE EXCEPT WHEN SUCH USER POSSESSES DIRECT WRITTEN AUTHORIZATION FROM CHECKPOINT SYSTEMS

21356 MARION LANE
MANDVILLE, LA 70471 USA
TEL 504.340.0770 - FAX 888.217.6402

DWG. TITLE SLA-LEAKLESS 0.375" - AUTO HORIZONTAL ASSY	
REV. 00	CDDSLAPL06A
DRAWING NUMBER	SHEET 1 OF 2

CP CERTIFIED DIMENSIONAL DRAWING

DATE	APPROVED
10/28/22	WRS



MAX WIDTH DIMENSIONS OF EACH MOTOR FLANGE

PROPRIETARY AND CONFIDENTIAL

THE INFORMATION CONTAINED HEREIN IS PROPRIETARY TO CHECKPOINT SYSTEMS AND SHALL NOT BE REPRODUCED OR DISCLOSED IN WHOLE OR IN PART OR USED FOR ANY PURPOSE EXCEPT WHEN SUCH USER POSSESSES DIRECT WRITTEN AUTHORIZATION FROM CHECKPOINT SYSTEMS



21356 MARION LANE
MANDVILLE, LA 70471 USA
TEL 504.340.0770 -- FAX
888.217.6402

CheckPoint
Pumps & Systems

DWG. TITLE
**SLA-LEAKLESS 0.375" - AUTO
HORIZONTAL ASSY**

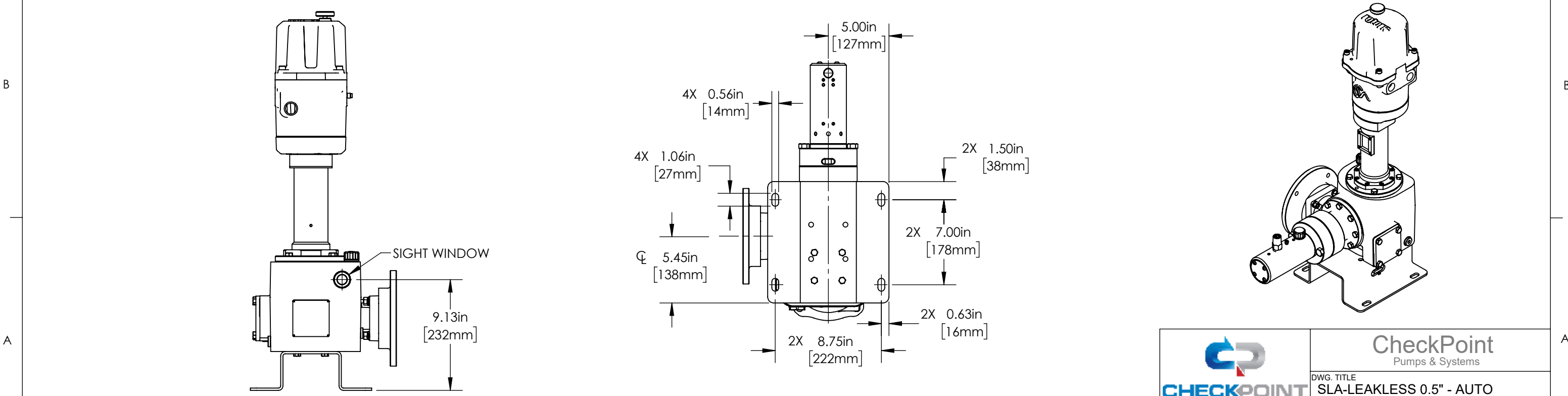
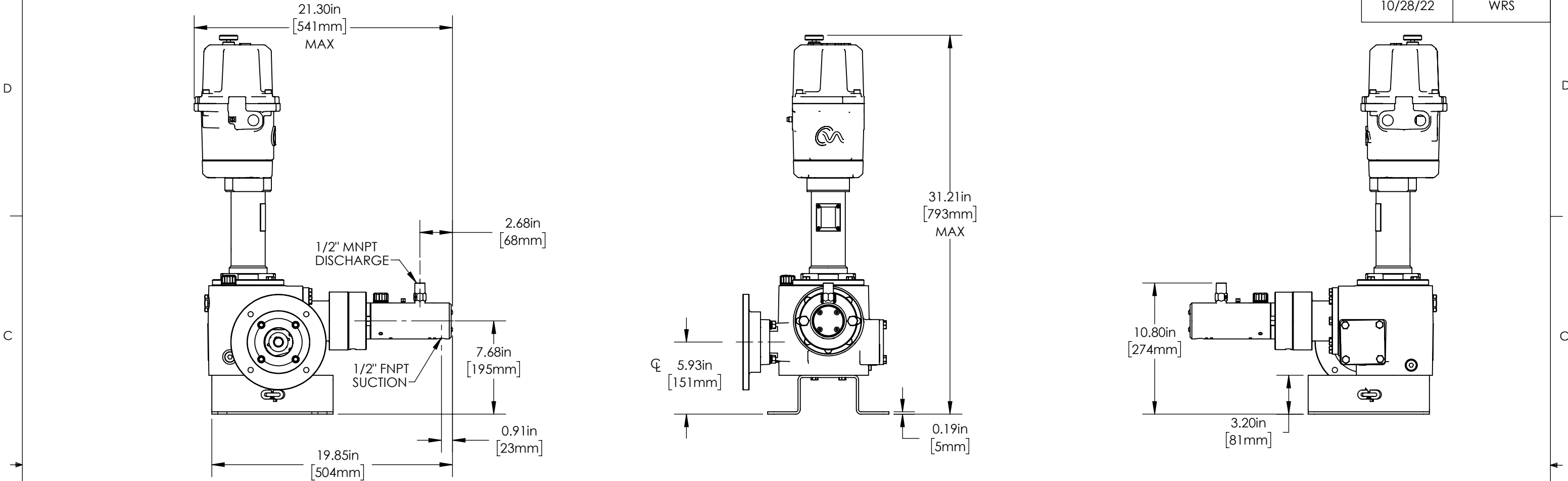
REV. 00	CDDSLAPL06A	SIZE B
-------------------	--------------------	------------------

DRAWING NUMBER SHEET 2 OF 2

WEIGHT	208.3lb / 94.5kg
--------	------------------

CP CERTIFIED DIMENSIONAL DRAWING

DATE	APPROVED
10/28/22	WRS



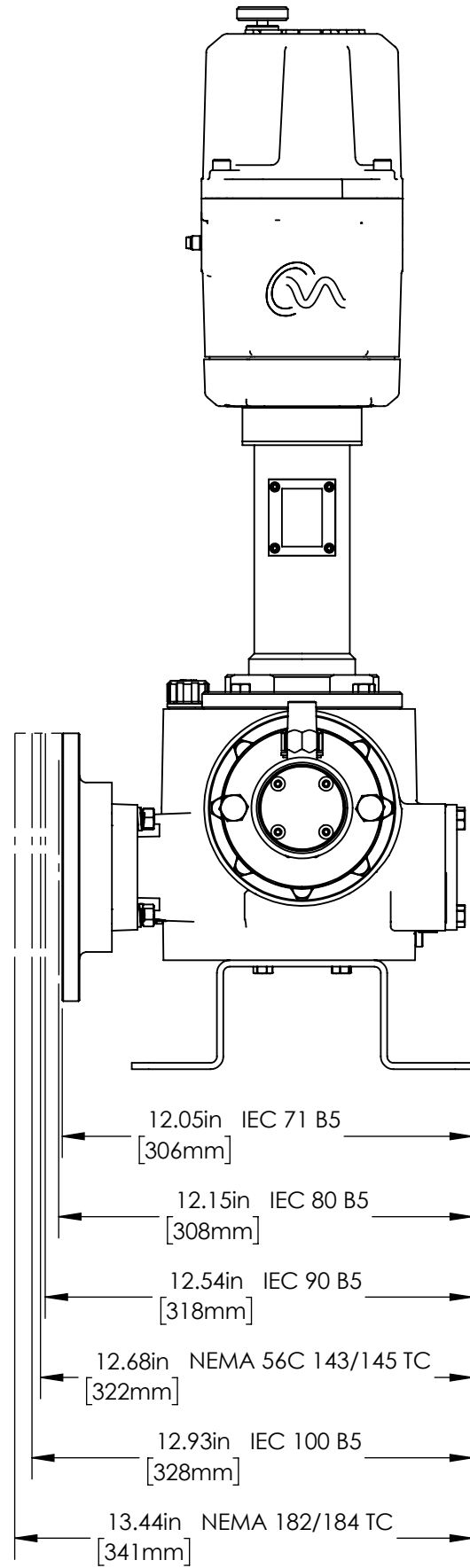
<p>21356 MARION LANE MANDVILLE, LA 70471 USA TEL 504.340.0770 - FAX 888.217.6402</p>	<p>CheckPoint Pumps & Systems</p>	
	<p>DWG. TITLE SLA-LEAKLESS 0.5" - AUTO HORIZONTAL ASSY</p>	
<p>REV. 00</p>	<p>CDDSLAPL08A</p>	<p>SIZE B</p>
<p>DRAWING NUMBER</p>		<p>SHEET 1 OF 2</p>

PROPRIETARY AND CONFIDENTIAL
THE INFORMATION CONTAINED HEREIN IS PROPRIETARY TO CHECKPOINT SYSTEMS AND SHALL NOT BE REPRODUCED OR DISCLOSED IN WHOLE OR IN PART OR USED FOR ANY PUPOSE EXCEPT WHEN SUCH USER POSSESSES DIRECT WRITTEN AUTHORIZATION FROM CHECKPOINT SYSTEMS

WEIGHT	205lb / 93kg
--------	--------------

CP CERTIFIED DIMENSIONAL DRAWING

DATE	APPROVED
10/28/22	WRS



MAX WIDTH DIMENSIONS OF EACH MOTOR FLANGE

PROPRIETARY AND CONFIDENTIAL

THE INFORMATION CONTAINED HEREIN IS PROPRIETARY TO CHECKPOINT SYSTEMS AND SHALL NOT BE REPRODUCED OR DISCLOSED IN WHOLE OR IN PART OR USED FOR ANY PURPOSE EXCEPT WHEN SUCH USER POSSESSES DIRECT WRITTEN AUTHORIZATION FROM CHECKPOINT SYSTEMS



21356 MARION LANE
MANDVILLE, LA 70471 USA
TEL 504.340.0770 -- FAX
888.217.6402

CheckPoint
Pumps & Systems

DWG. TITLE
**SLA-LEAKLESS 0.5" - AUTO
HORIZONTAL ASSY**

REV. 00	CDDSLAPL08A	SIZE B
-------------------	--------------------	------------------

DRAWING NUMBER SHEET 2 OF 2

WEIGHT	205lb / 93kg
--------	--------------

CP/DWG-ENG-007 REV. 01 EFF. DATE: 01/11/2023

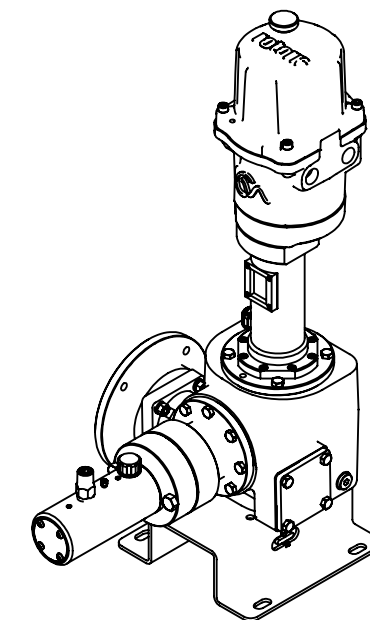
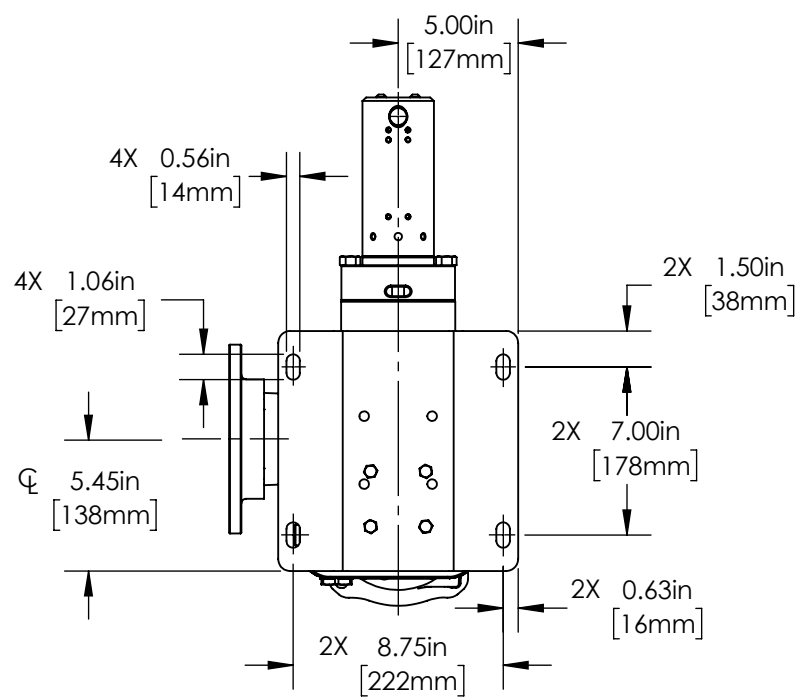
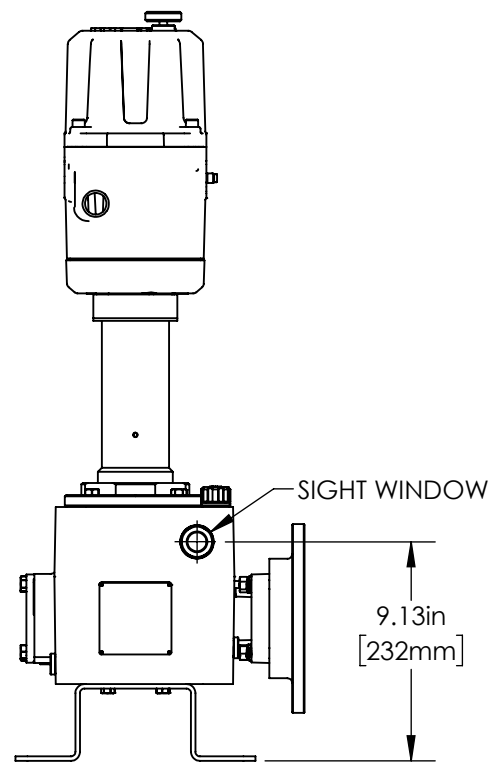
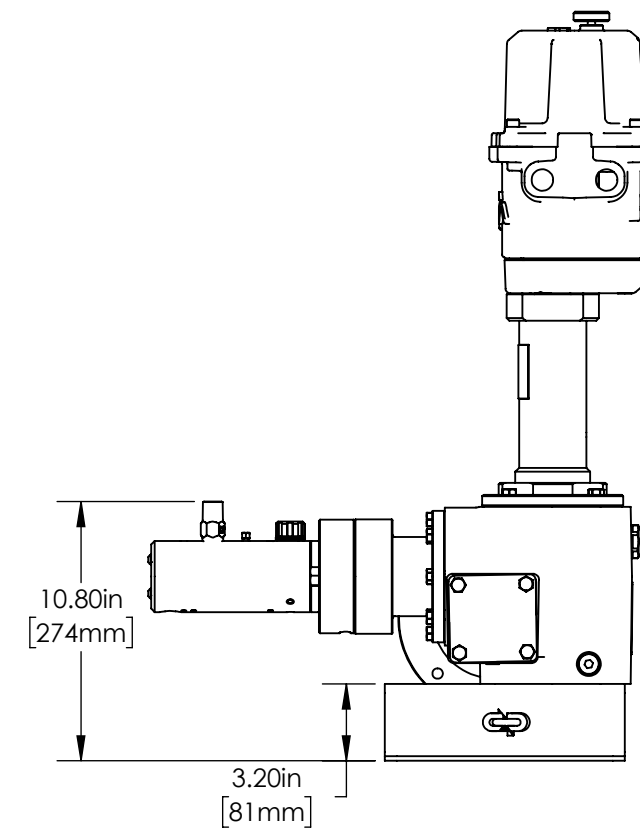
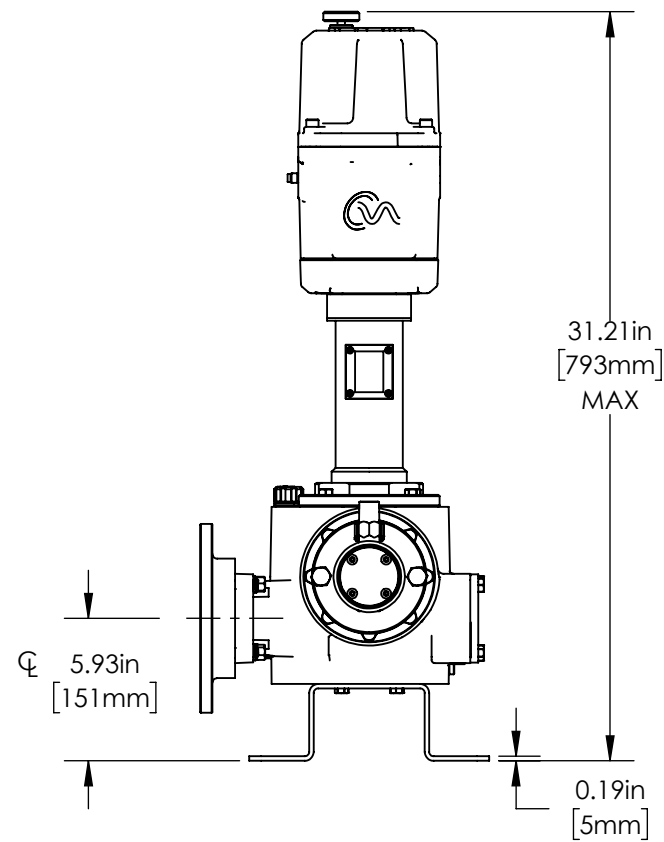
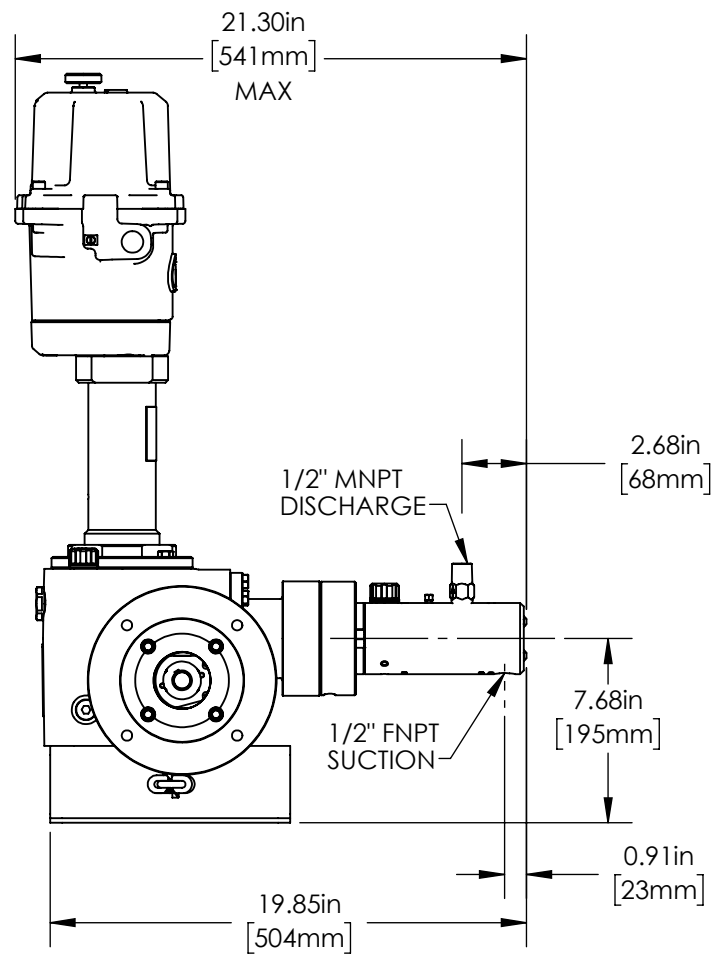
Page 3 of 3

CP CERTIFIED DIMENSIONAL DRAWING

DATE	APPROVED
10/28/22	WRS

D
C
B
A

D
C
B
A



WEIGHT	205lb / 93kg
--------	--------------

CP/DWG-ENG-008 REV. 01 EFF. DATE: 01/11/2023

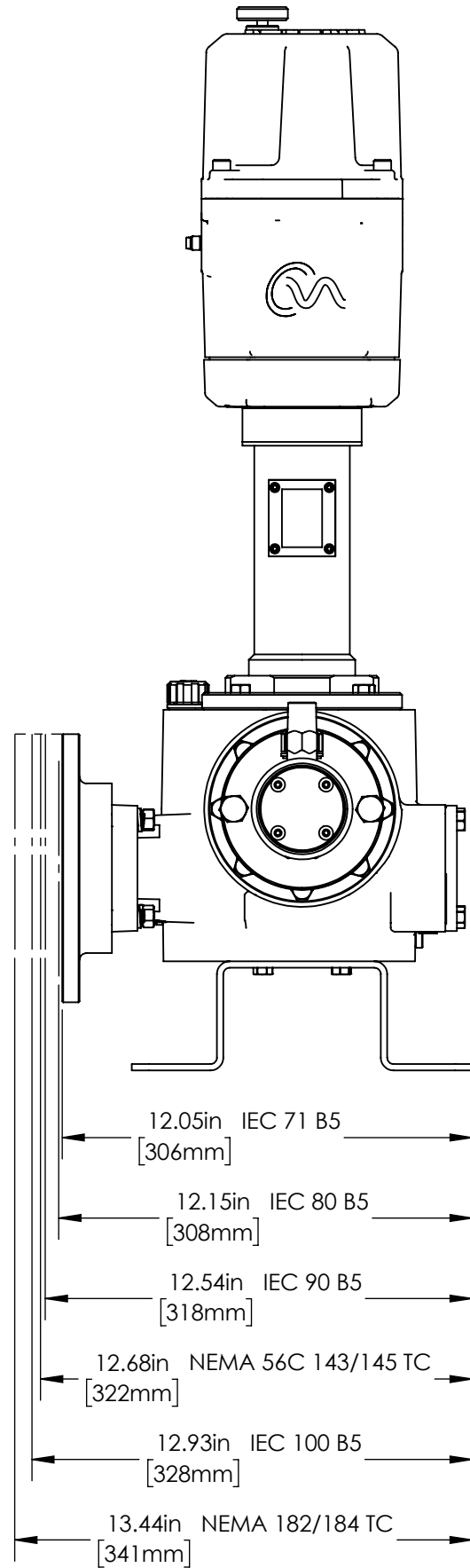
PROPRIETARY AND CONFIDENTIAL
 THE INFORMATION CONTAINED HEREIN IS PROPRIETARY TO CHECKPOINT SYSTEMS AND SHALL NOT BE REPRODUCED OR DISCLOSED IN WHOLE OR IN PART OR USED FOR ANY PURPOSE EXCEPT WHEN SUCH USER POSSESSES DIRECT WRITTEN AUTHORIZATION FROM CHECKPOINT SYSTEMS

21356 MARION LANE
 MANDEVILLE, LA 70471 USA
 TEL 504.340.0770 - FAX 888.217.6402

DWG. TITLE SLA-LEAKLESS 0.75" - AUTO HORIZONTAL ASSY	
REV. 00	CDDSLAPL12A
DRAWING NUMBER	SHEET 1 OF 2

CP CERTIFIED DIMENSIONAL DRAWING

DATE	APPROVED
10/28/22	WRS



MAX WIDTH DIMENSIONS OF EACH MOTOR FLANGE

PROPRIETARY AND CONFIDENTIAL

THE INFORMATION CONTAINED HEREIN IS PROPRIETARY TO CHECKPOINT SYSTEMS AND SHALL NOT BE REPRODUCED OR DISCLOSED IN WHOLE OR IN PART OR USED FOR ANY PURPOSE EXCEPT WHEN SUCH USER POSSESSES DIRECT WRITTEN AUTHORIZATION FROM CHECKPOINT SYSTEMS



21356 MARION LANE
MANDVILLE, LA 70471 USA
TEL 504.340.0770 -- FAX
888.217.6402

CheckPoint
Pumps & Systems

DWG. TITLE
**SLA-LEAKLESS 0.75" - AUTO
HORIZONTAL ASSY**

REV. **00** **CDDSLAPL12A**

SIZE
B

DRAWING NUMBER

SHEET 2 OF 2

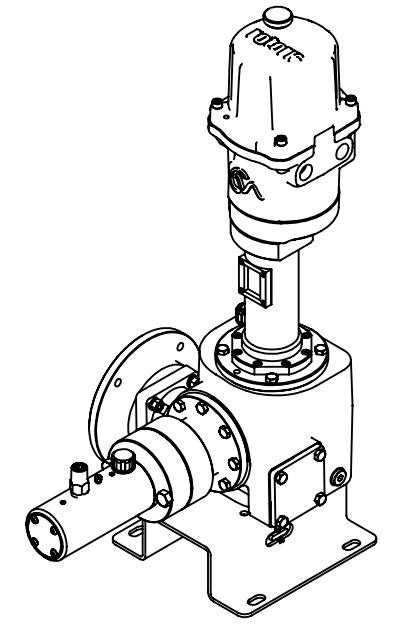
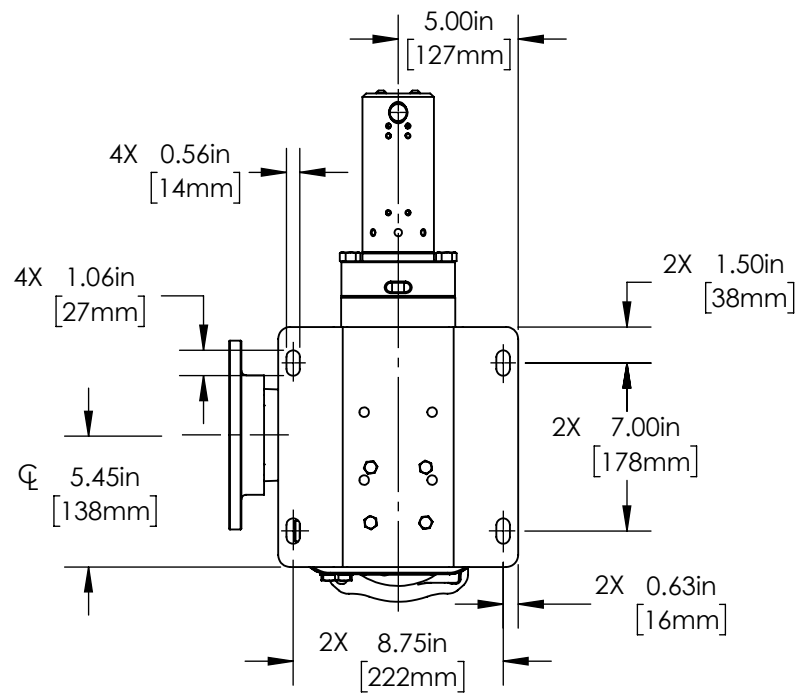
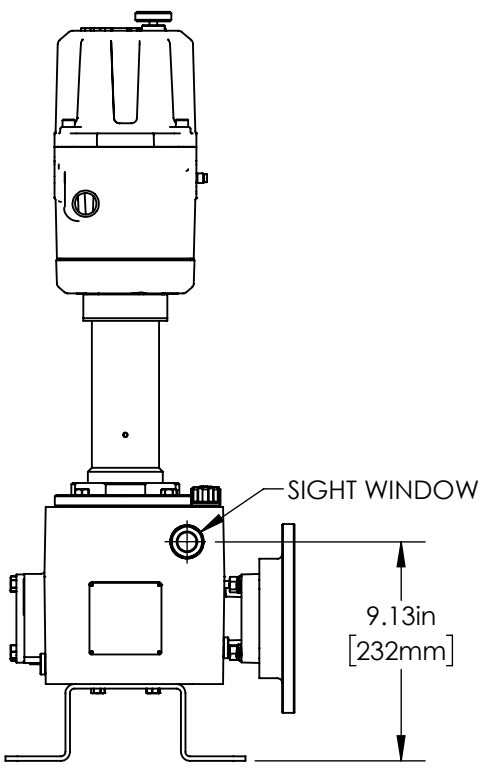
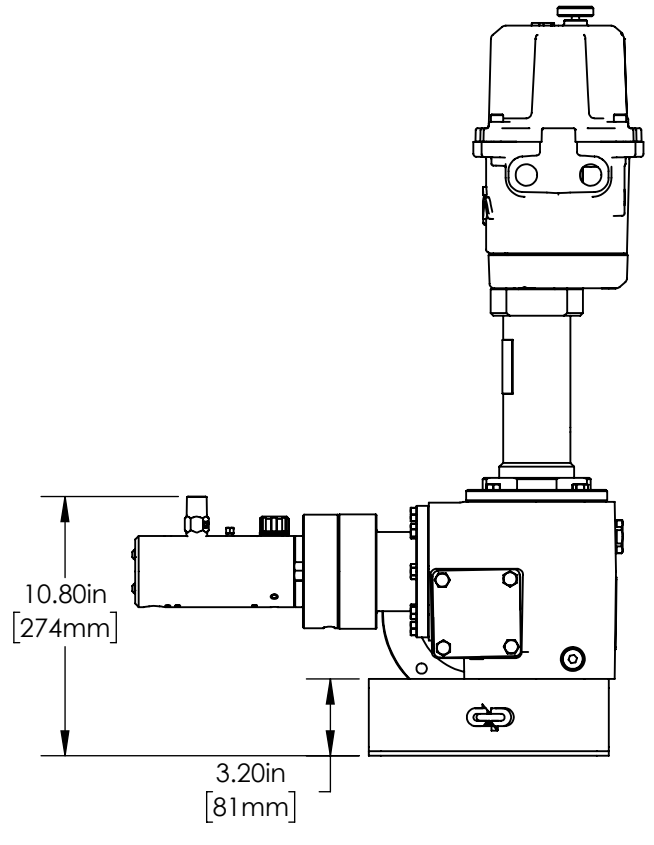
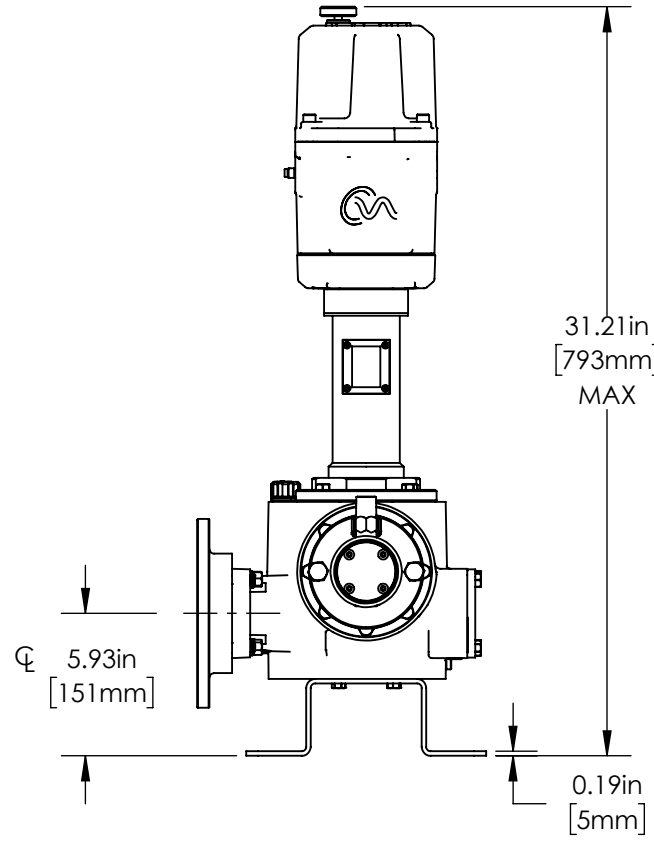
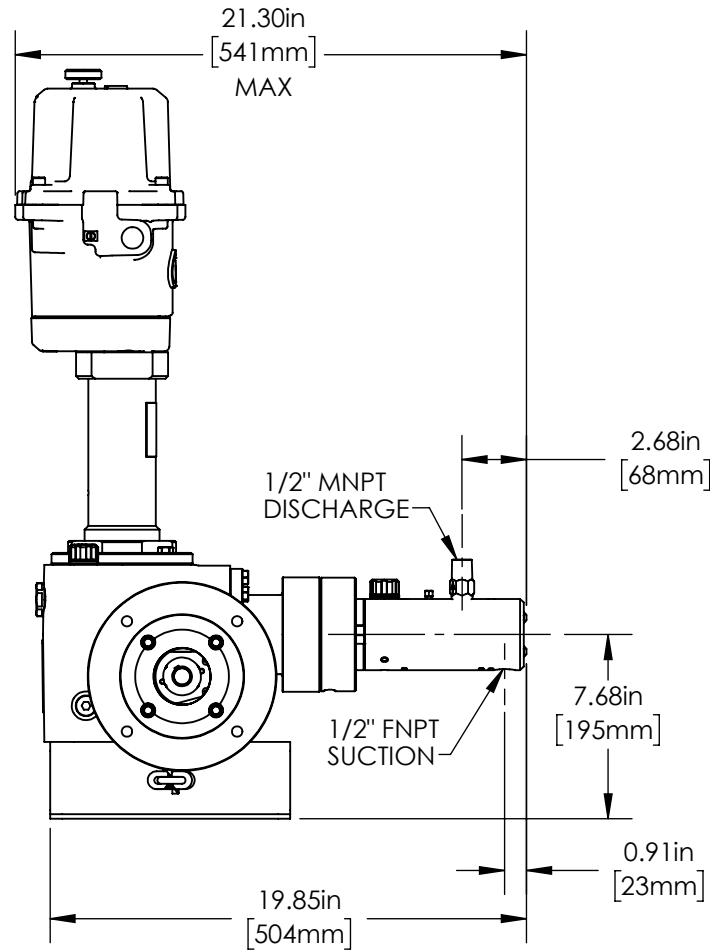
WEIGHT 205lb / 93kg

CP/DWG-ENG-008 REV. 01 EFF. DATE: 01/11/2023

Page 3 of 3

CP CERTIFIED DIMENSIONAL DRAWING

DATE	APPROVED
10/28/22	WRS



WEIGHT	204.4lb / 92.7kg
--------	------------------

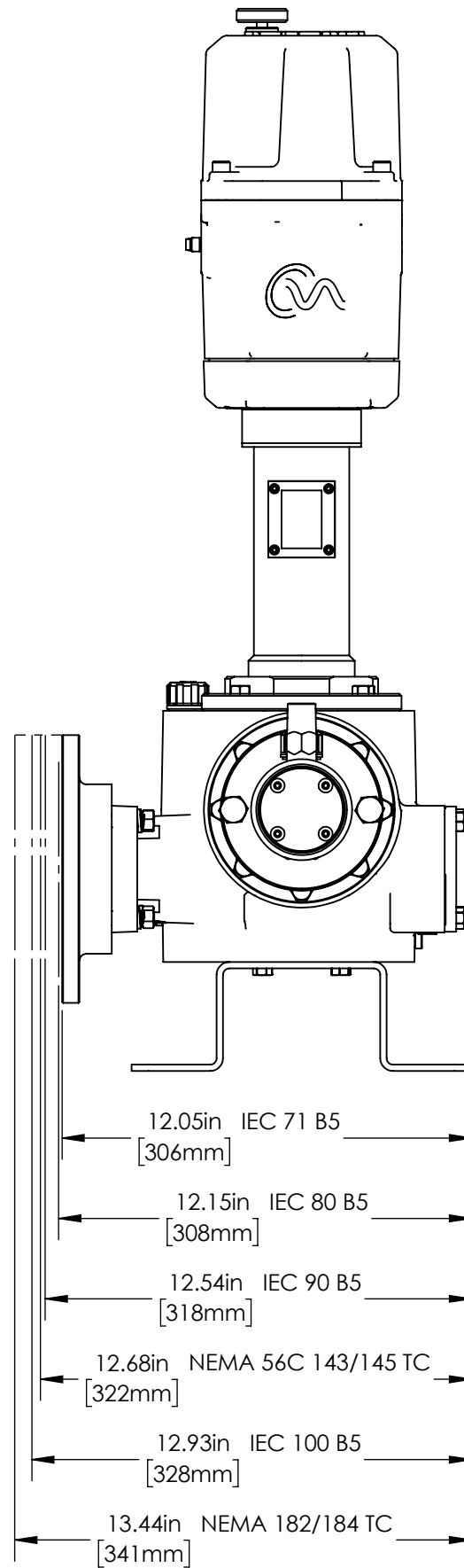
PROPRIETARY AND CONFIDENTIAL
 THE INFORMATION CONTAINED HEREIN IS PROPRIETARY TO CHECKPOINT SYSTEMS AND SHALL NOT BE REPRODUCED OR DISCLOSED IN WHOLE OR IN PART OR USED FOR ANY PUPOSE EXCEPT WHEN SUCH USER POSSESSES DIRECT WRITTEN AUTHORIZATION FROM CHECKPOINT SYSTEMS



DWG. TITLE SLA-LEAKLESS 1" - AUTO HORIZONTAL ASSY	
REV. 00	CDDSLAPL16A
DRAWING NUMBER	SHEET 1 OF 2

CP CERTIFIED DIMENSIONAL DRAWING

DATE	APPROVED
10/28/22	WRS



MAX WIDTH DIMENSIONS OF EACH MOTOR FLANGE

PROPRIETARY AND CONFIDENTIAL

THE INFORMATION CONTAINED HEREIN IS PROPRIETARY TO CHECKPOINT SYSTEMS AND SHALL NOT BE REPRODUCED OR DISCLOSED IN WHOLE OR IN PART OR USED FOR ANY PURPOSE EXCEPT WHEN SUCH USER POSSESSES DIRECT WRITTEN AUTHORIZATION FROM CHECKPOINT SYSTEMS



21356 MARION LANE
MANDVILLE, LA 70471 USA
TEL 504.340.0770 - FAX
888.217.6402

CheckPoint
Pumps & Systems

DWG. TITLE
**SLA-LEAKLESS 1" - AUTO
HORIZONTAL ASSY**

REV. **00** **CDDSLAPL16A**

SIZE
B

DRAWING NUMBER

SHEET 2 OF 2

WEIGHT 204.4lb / 92.7kg