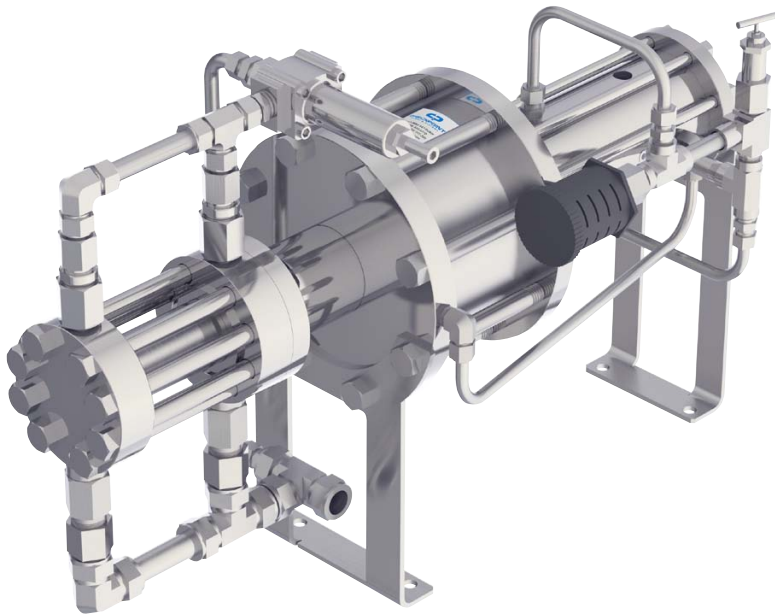


Series 8400 Pneumatic Pump



PUMP CATEGORY

Type: Plunger
Control: Cycle Speed
Stroke: 4 in (102 mm) Fixed

FLOW RATE

0.83 - 585 USG/H (3.14 - 2,214.47 L/H)

PRESSURE

0 - 20,000 PSIG (0 - 1,379 BARG)

SUPERIOR DESIGN

- Durable, High-Quality Materials
- No Springs or Diaphragms
- Accurate and Repeatable Injection
- Quick Maintenance and Low Downtime
- High Return on Investment

CHEMICAL RESISTANCE

Proprietary, high-quality seal materials enable CheckPoint pumps to provide unparalleled chemical resistance. Wetted components are available in an array of materials. Chemical applications include, but are not limited to:

- Scavengers (H₂S, O₂, CO₂)
- Hydrate Inhibitors (MeOH, MEG, LDHI)
- Foamers and Defoamers
- Corrosion, Scale, and Paraffin Inhibitors
- Clarifiers, Biocides, Bleaches, and Acids

ZERO EMISSIONS

CheckPoint offers standard integrated gas recovery capable of 170 PSIG (11.7 BARG) exhaust backpressure.

WARRANTY

CheckPoint guarantees 40 months of material and workmanship.

MODEL	FLOW RATE (MINIMUM) USG/H (L/H)	FLOW RATE (MAXIMUM) USG/H (L/H)	WORKING PRESSURE (MAXIMUM) PSIG (BARG)	PISTON DIAMETER IN (MM)	PLUNGER DIAMETER IN (MM)	DIMENSIONS L X W X H IN (MM)	WEIGHT LB (KG)	SUCTION CONNECTION	DISCHARGE CONNECTION
8408	0.83 (3.14)	11.8 (44.67)	20,000 (1,379)	8 (203.2)	1/2 (12.7)	31 (787) X 15.12 (384) X 21.17 (538)	186 (84.3)	1/2" MNPT	3/8" MP AC
8412	3.0 (11.36)	42.5 (160.88)	20,000 (1,379)	8 (203.2)	3/4 (19.2)	34.03 (864) X 15.12 (384) X 21.17 (538)	222 (100.7)	3/4" Tube	3/8" MP AC
8416	7 (26.50)	75 (283.91)	12,750 (879)	8 (203.2)	1 (25.4)	38.74 (984) X 15.12 (384) X 21.99 (559)	222 (100.7)	3/4" Tube	3/8" MP AC
8428	19 (71.92)	245 (927.43)	4,000 (276)	8 (203.2)	1-3/4 (44.5)	34.03 (864) X 15.28 (388) X 22.97 (583)	223 (101)	1" Tube	3/4" FNPT
8440	40 (151.42)	585 (2,214.47)	2,075 (143)	8 (203.2)	2-1/2 (63.5)	34.03 (864) X 15.12 (384) X 22.97 (583)	226 (102.5)	1" Tube	3/4" FNPT

Tabular data should be used for quick reference only. See performance curves for accurate pump selection.



Series 8400 Pneumatic Pump

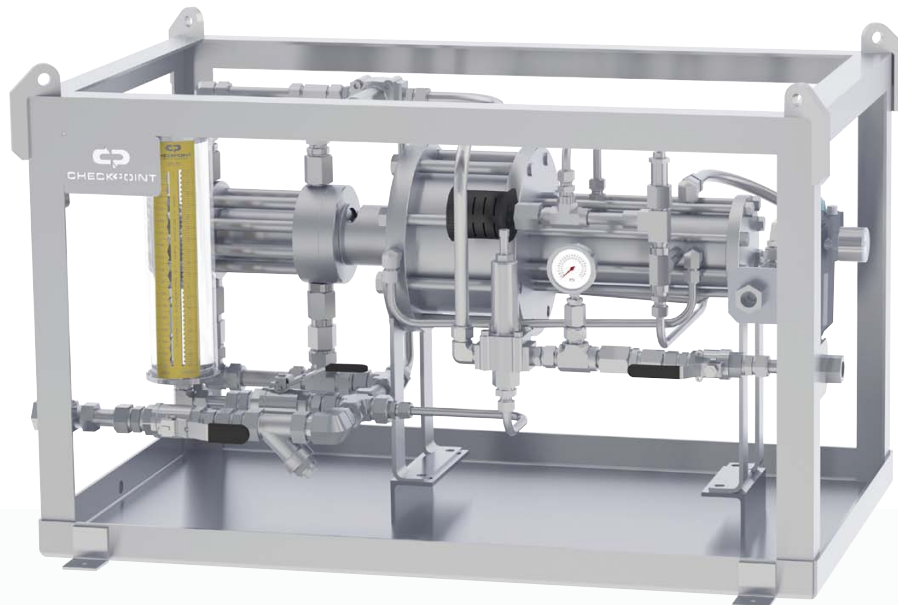


From the isolated chemical head to the switching valve to the materials of construction, CheckPoint's **Series 8400** pump was developed for continuous, accurate, and reliable injection in harsh offshore and remote locations. No compromises were made. We designed this pump for vital, mission-critical chemicals like methanol, drag reducer, and other expensive, hazardous, and corrosive production compounds.

In order to meet a wide variety of chemical compatibility needs, wetted parts are available in an array of materials, such as 316 SS, Hastelloy C-276, Duplex 2205, Super Duplex 2507, ceramic and titanium, and seals are available in Viton, HNBR, FKM, and FFKM. All construction materials are compatible with sour gas according to NACE MRO175 and ISO 15156. CheckPoint pumps do not contain any springs and have fewer moving parts than any other pneumatic pump in the industry, resulting in minimal wear, effective maintenance, and ultimately an increased life span.

Our pneumatic pumps can recover exhaust gas, even under significant backpressure. This unique gas recovery system enables processes to reuse drive gas after it has powered the pump. Consider the environmental benefits, as well as the cost savings, achieved by rerouting spent drive gas to the suction side of a gas compressor. This exclusive feature aids in lowering gas emissions while powering thermoelectric generators, feeding catalytic heaters, and even running within enclosures while venting externally.

We recommend "Plug & Play" injection packages (as pictured below) as an optimum solution to efficiently and effectively integrate chemical injection into your process. CheckPoint has engineered, manufactured, and sourced high-quality components which, combined in a package with our pumps, maximize product life and optimize productivity. We also offer custom system design and technical services to meet specialty product requirements. CheckPoint will create a solution that meets your specific chemical injection needs, from concept to completion.



www.cppumps.com • sales@cppumps.com