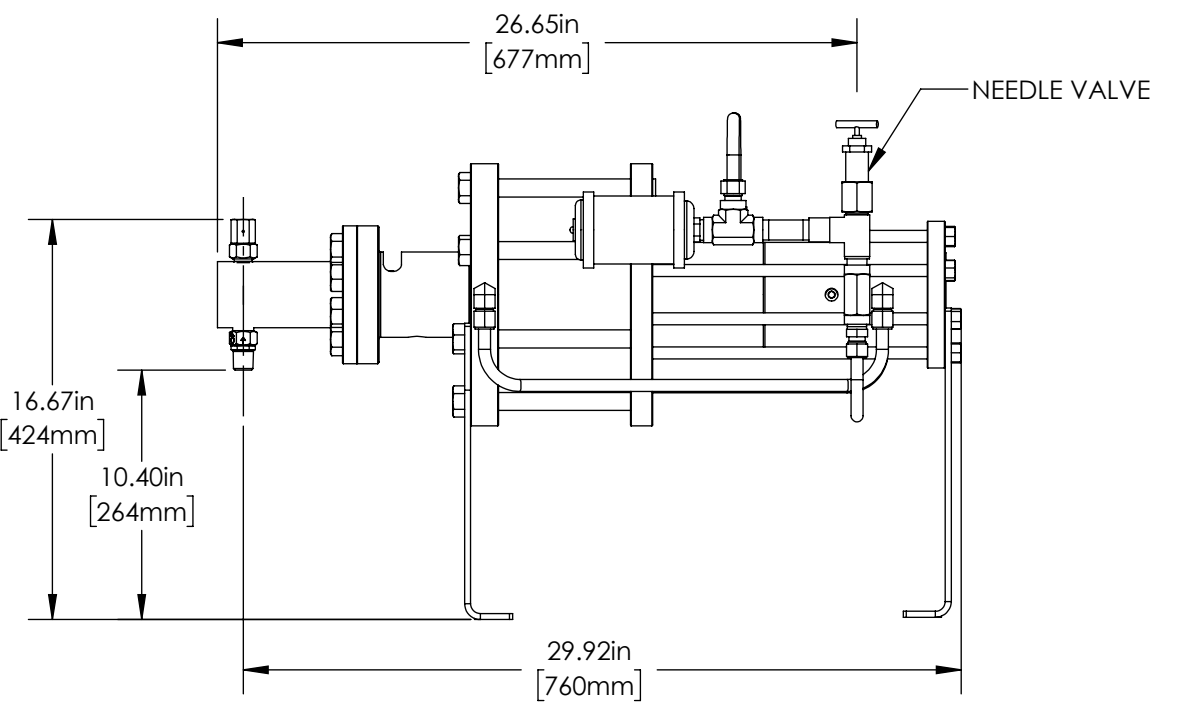
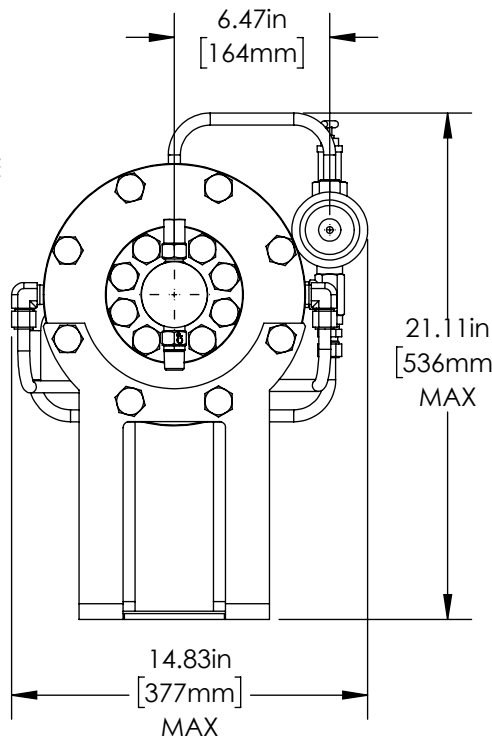
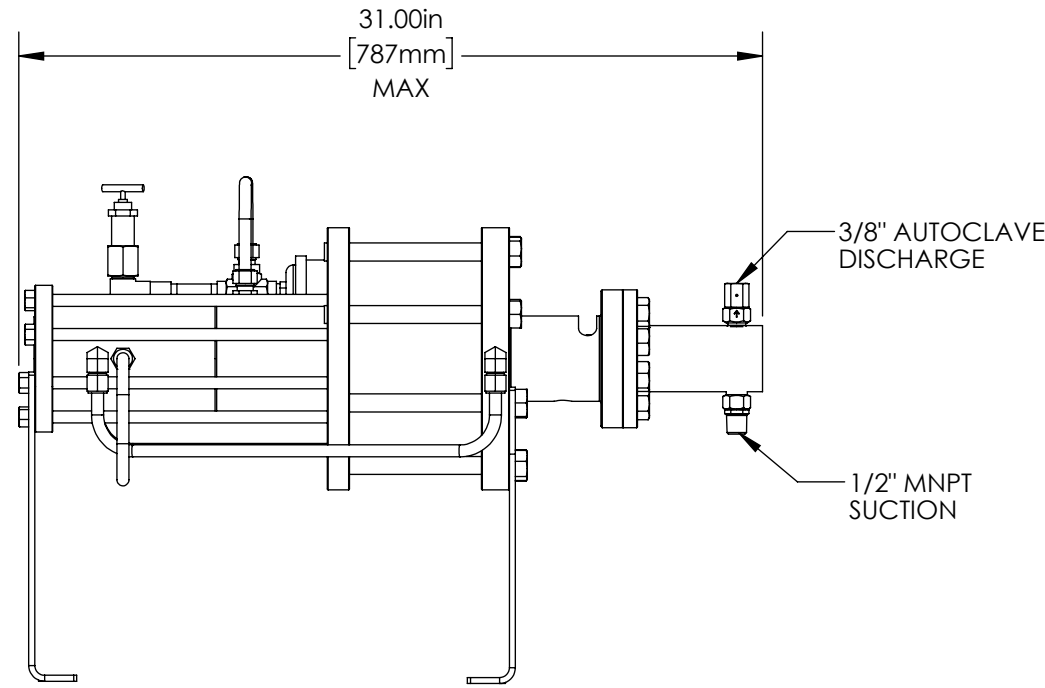
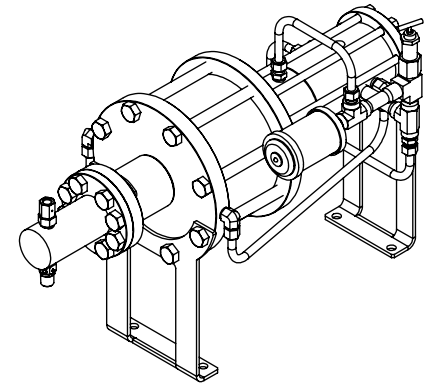
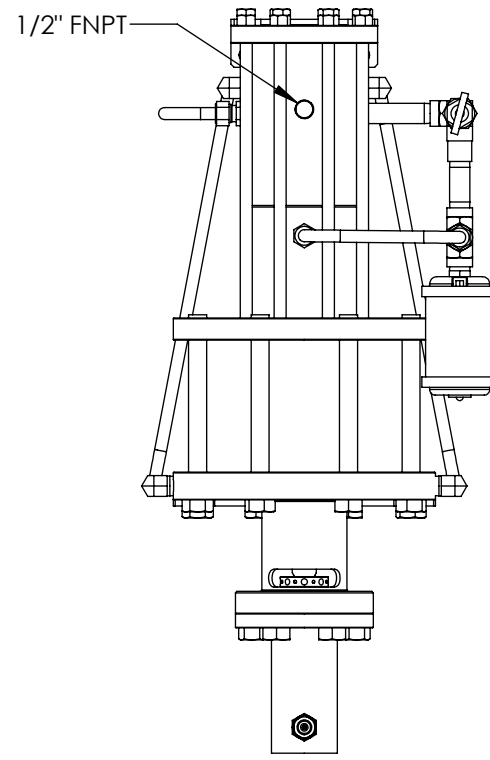
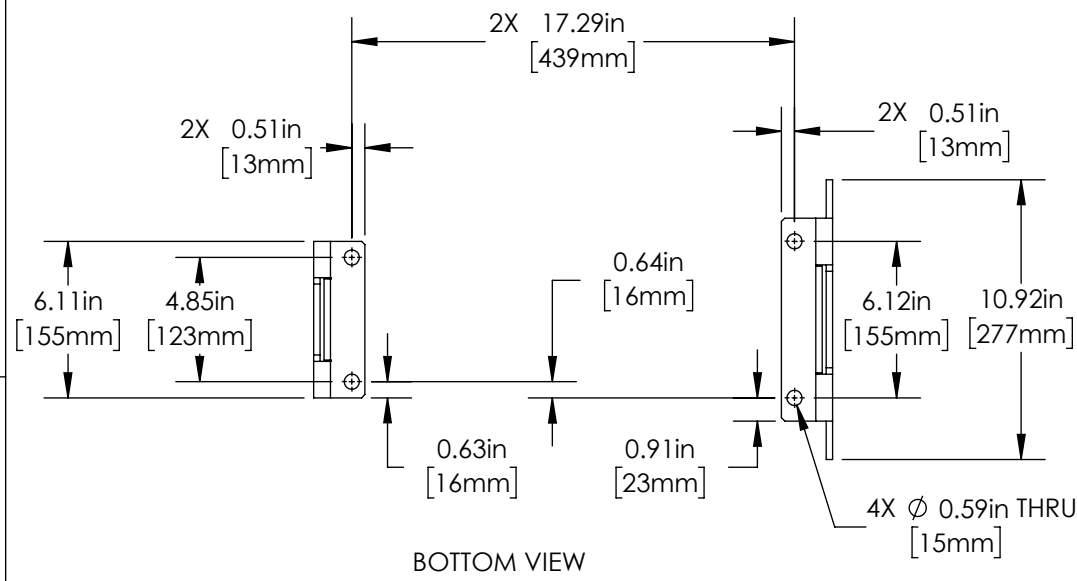


DATE	APPROVED
MAR-07-25	JF



MARKETING DRAWING

CheckPoint
Pumps & Systems



DWG. TITLE
P8400 ASSEMBLY -1/2"
TOP LEVEL ASSEMBLY

REV	000	P8408C6Q3	SIZE B
-----	-----	-----------	------------------

WEIGHT 186.4 lb / 84.55 kg

PROPRIETARY AND CONFIDENTIAL
THE INFORMATION CONTAINED HEREIN IS PROPRIETARY TO CHECKPOINT SYSTEMS AND SHALL NOT BE REPRODUCED OR DISCLOSED IN WHOLE OR IN PART OR USED FOR ANY PURPOSE EXCEPT WHEN SUCH USER POSSESSES DIRECT WRITTEN AUTHORIZATION FROM CHECKPOINT SYSTEMS

P8408C6H3 - CERAMIC - HNBR

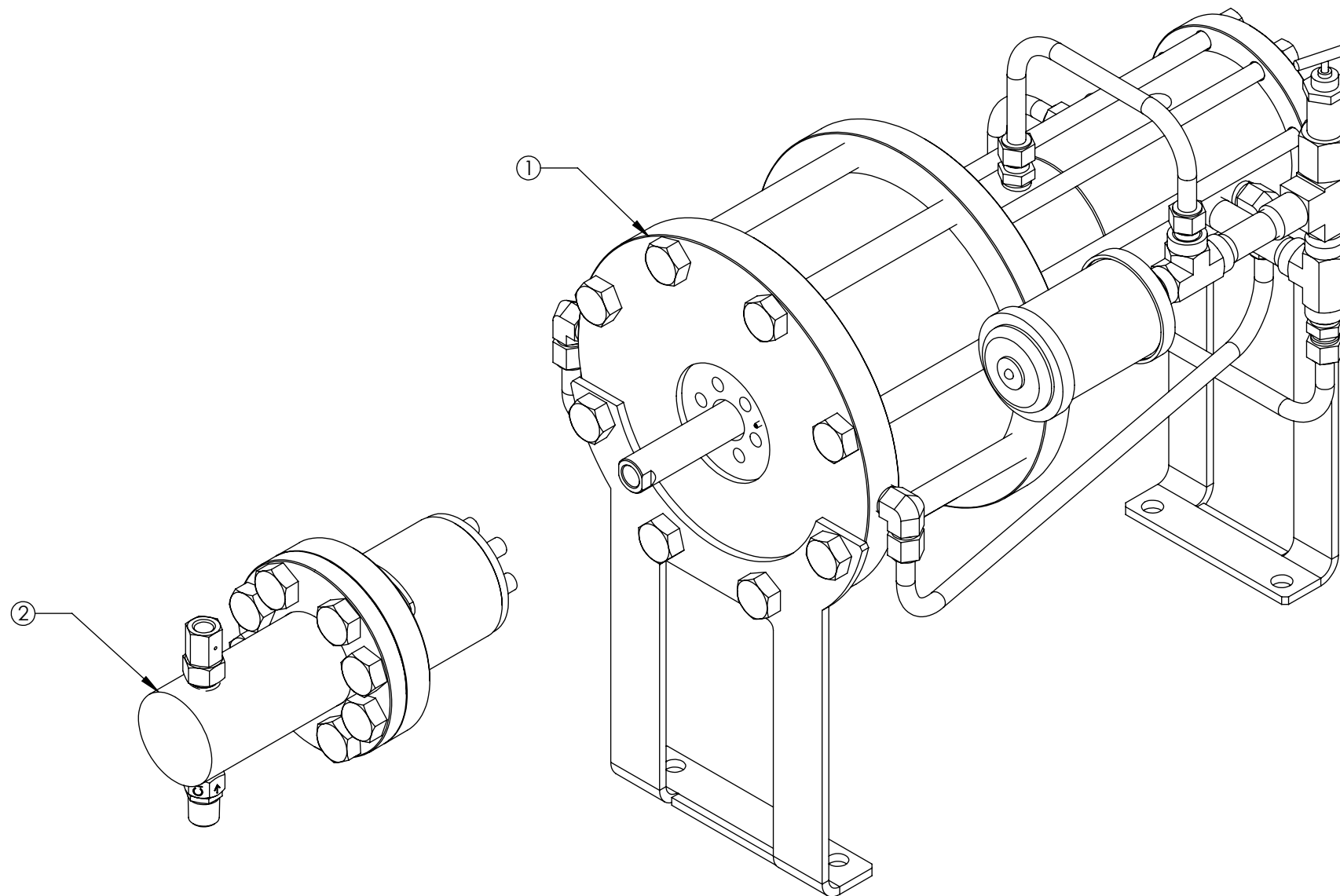
ITEM NO.	NUMBER	DESCRIPTION
1	P84MSA1	
2	W58D308CNHNP3H6	W58 WET END ASSY

P8408C6Q3 - CERAMIC - FKM

ITEM NO.	NUMBER	DESCRIPTION
1	P84MSA1	
2	W58D308CNQPN3Q6	W58 WET END ASSY

P8408C6F3 - CERAMIC - FFKM

ITEM NO.	NUMBER	DESCRIPTION
1	P84MSA1	
2	W58D308CNFPN3F6	W58 WET END ASSY



NOTE: SERIAL NUMBER PLATE / ATTACH SCREWS NOT SHOWN

MARKETING DRAWING

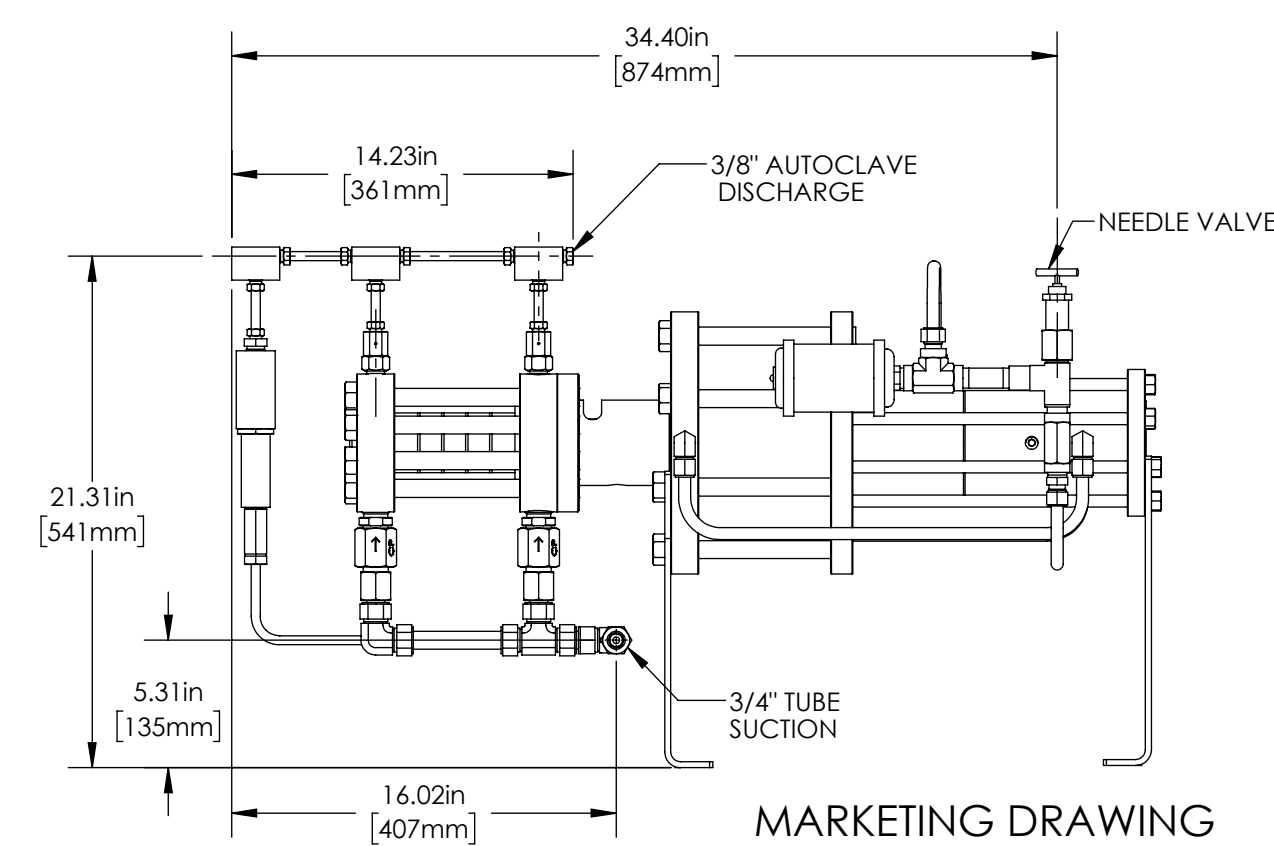
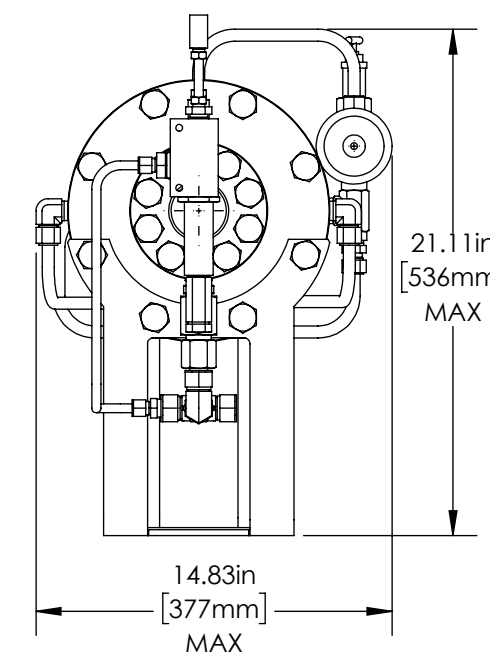
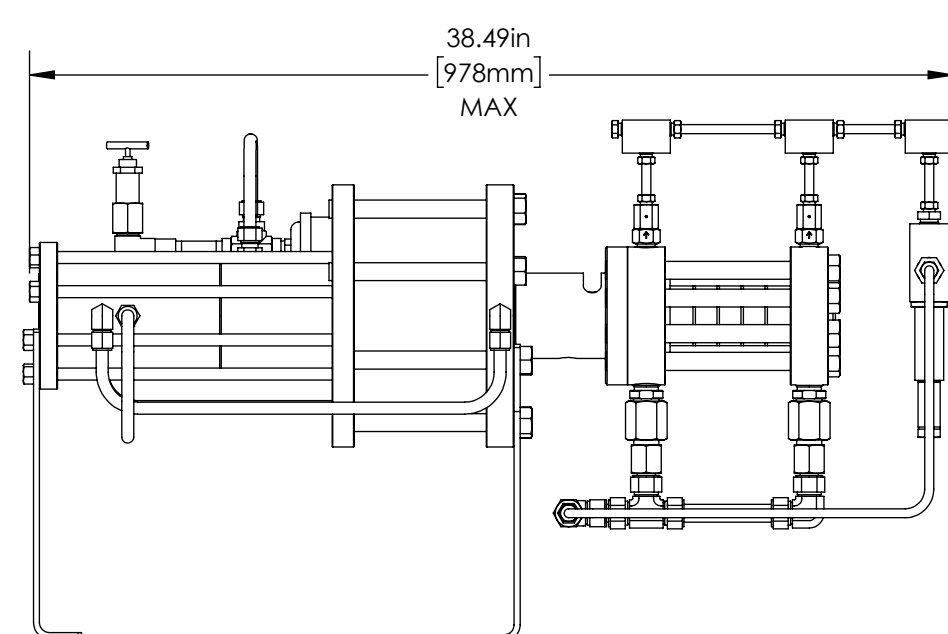
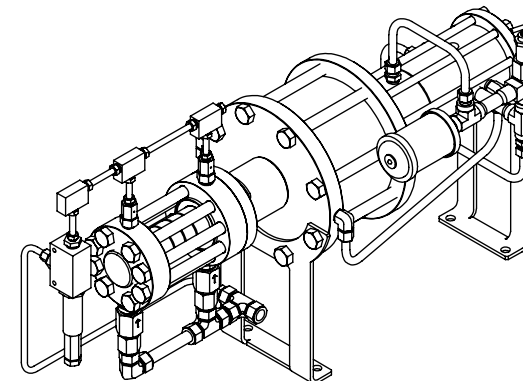
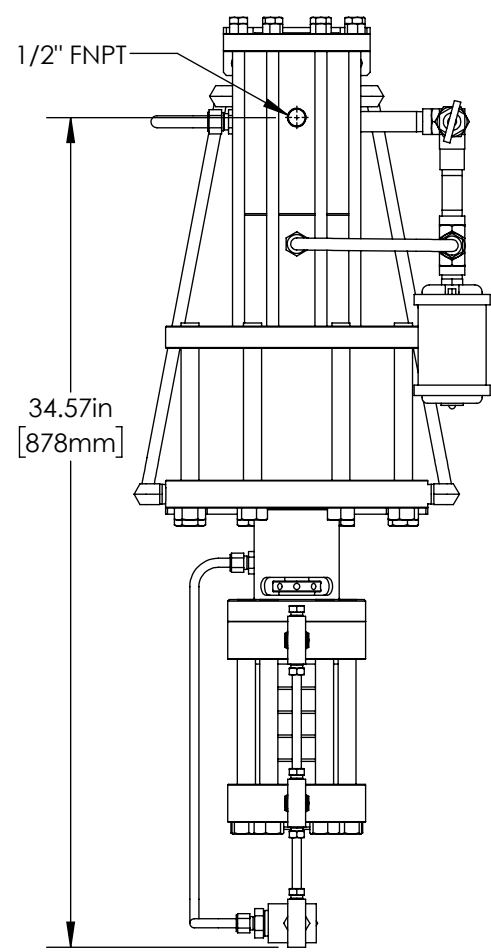
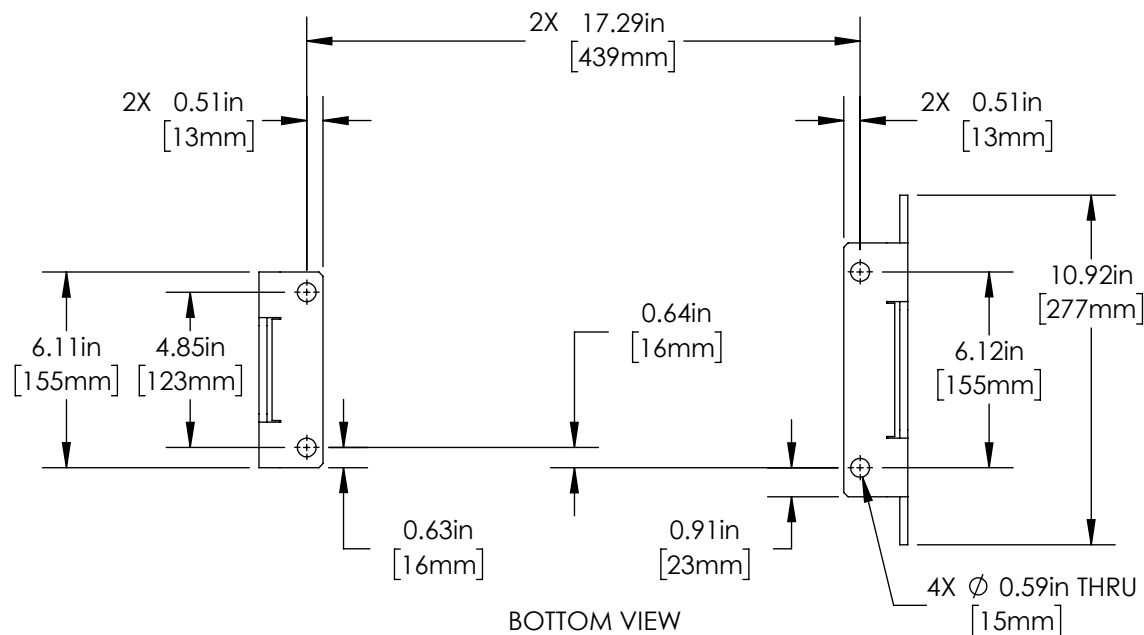
CheckPoint
Pumps & Systems



DWG. TITLE P8400 ASSEMBLY -1/2" TOP LEVEL ASSEMBLY		REV 000	P8408C6Q3	SIZE B
DRAWING NUMBER			SHEET 2 OF 2	

PROPRIETARY AND CONFIDENTIAL
THE INFORMATION CONTAINED HEREIN IS PROPRIETARY TO CHECKPOINT SYSTEMS AND SHALL NOT BE REPRODUCED OR DISCLOSED IN WHOLE OR IN PART OR USED FOR ANY PUPOSE EXCEPT WHEN SUCH USER POSSESSES DIRECT WRITTEN AUTHORIZATION FROM CHECKPOINT SYSTEMS

DATE	APPROVED
MAR-07-25	JF



WEIGHT	220.5 lb / 100 kg
--------	-------------------

PROPRIETARY AND CONFIDENTIAL
 THE INFORMATION CONTAINED HEREIN IS PROPRIETARY TO CHECKPOINT SYSTEMS AND SHALL NOT BE REPRODUCED OR DISCLOSED IN WHOLE OR IN PART OR USED FOR ANY PURPOSE EXCEPT WHEN SUCH USER POSSESSES DIRECT WRITTEN AUTHORIZATION FROM CHECKPOINT SYSTEMS



CheckPoint Pumps & Systems	
DWG. TITLE P8400 ASSEMBLY- 3/4" TOP LEVEL ASSEMBLY	
REV 002	P8412CNQ3
DRAWING NUMBER	
SHEET 1 OF 2	

SIZE
B

P8412CNH3 - CERAMIC - HNBR

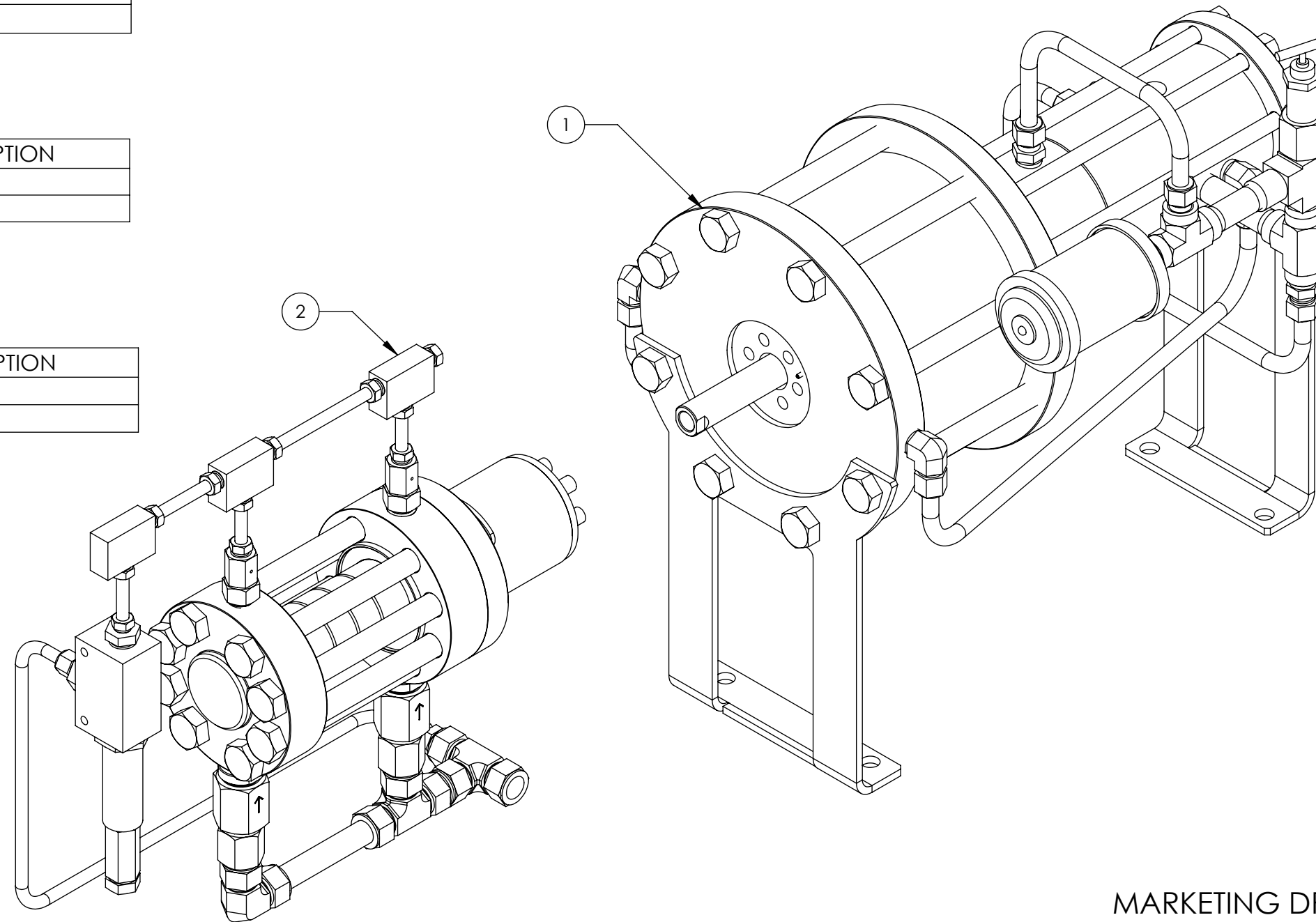
ITEM NO.	NUMBER	DESCRIPTION
1	P84MSA1	8400 MOTOR
2	W84MN12CAHPN3H6	P84 WET END ASSY

P8412CNQ3 - CERAMIC - FKM

ITEM NO.	NUMBER	DESCRIPTION
1	P84MSA1	8400 MOTOR
2	W84MN12CAQPN3Q6	P84 WET END ASSY

P8412CNF3 - CERAMIC - FFKM

ITEM NO.	NUMBER	DESCRIPTION
1	P84MSA1	8400 MOTOR
2	W84MN12CAFPN3F6	P84 WET END ASSY



NOTE: SERIAL NUMBER PLATE / ATTACH SCREWS NOT SHOWN

MARKETING DRAWING

CheckPoint
Pumps & Systems



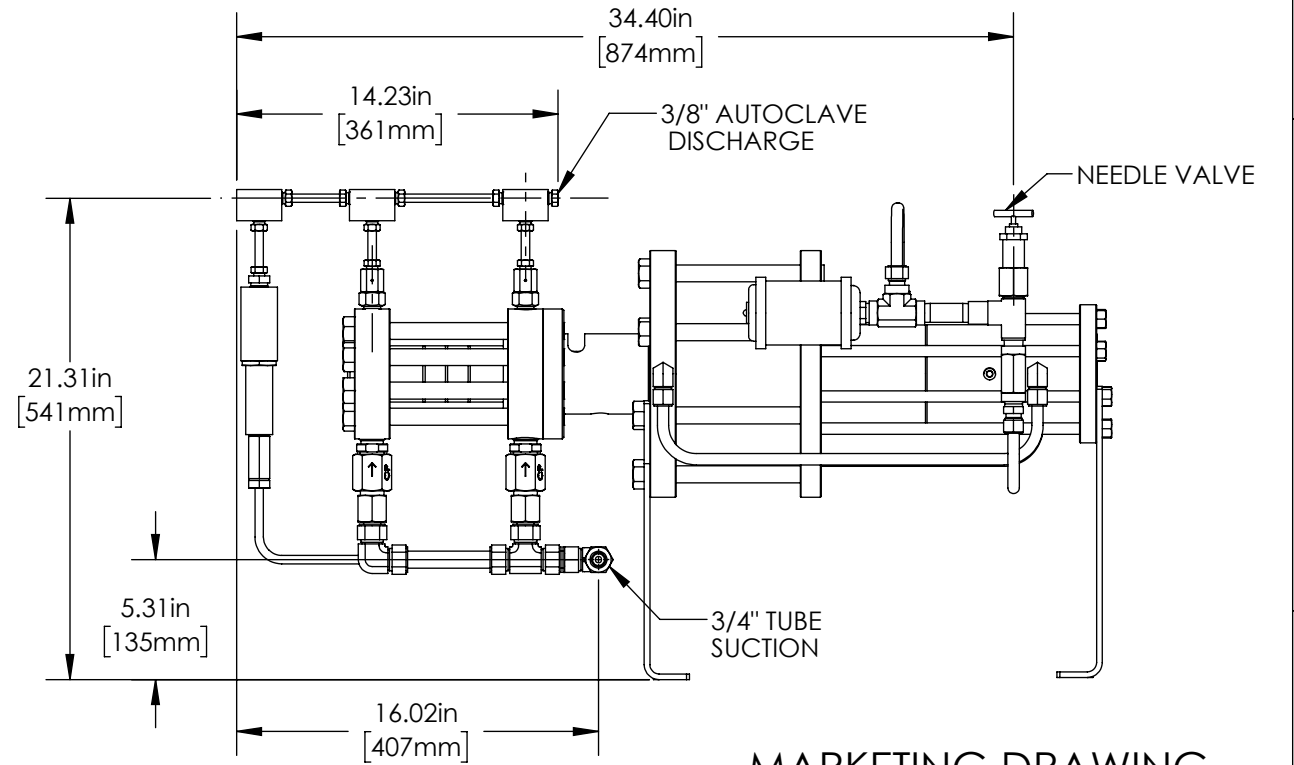
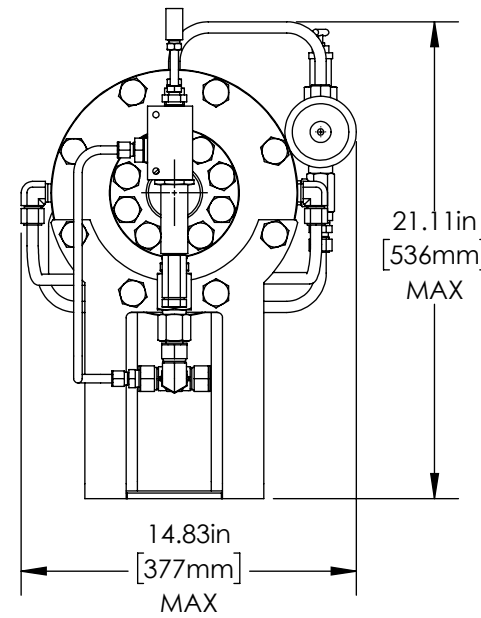
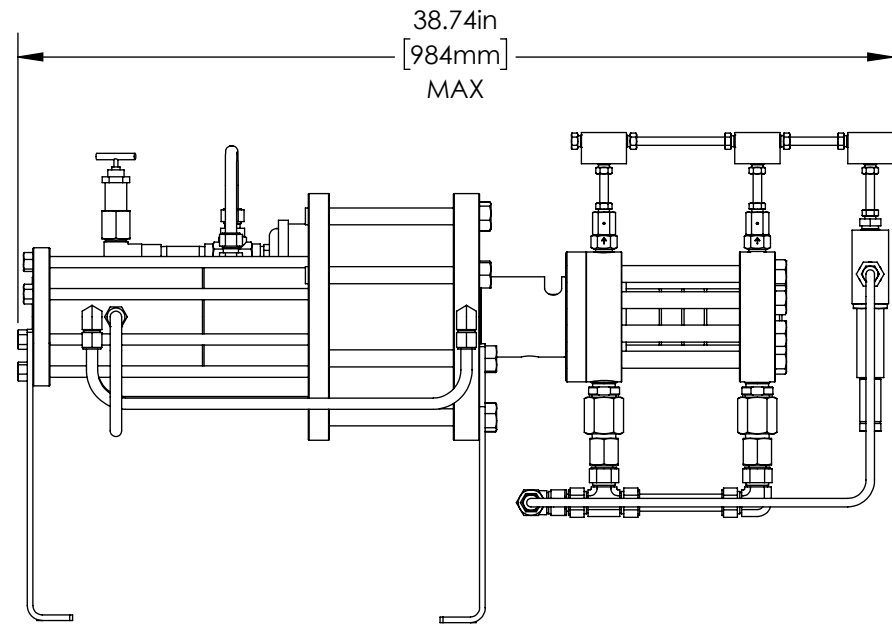
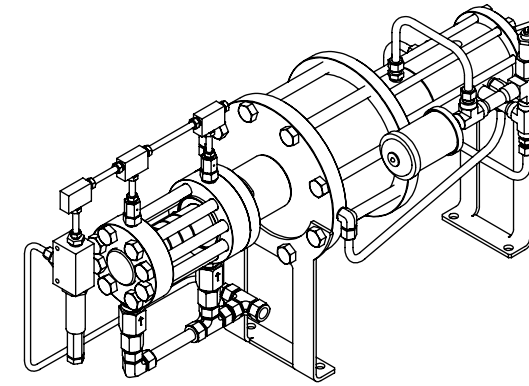
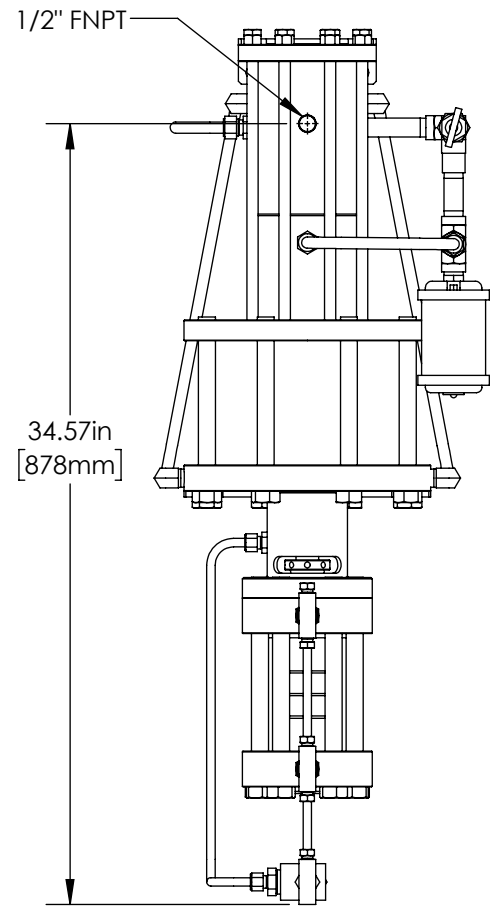
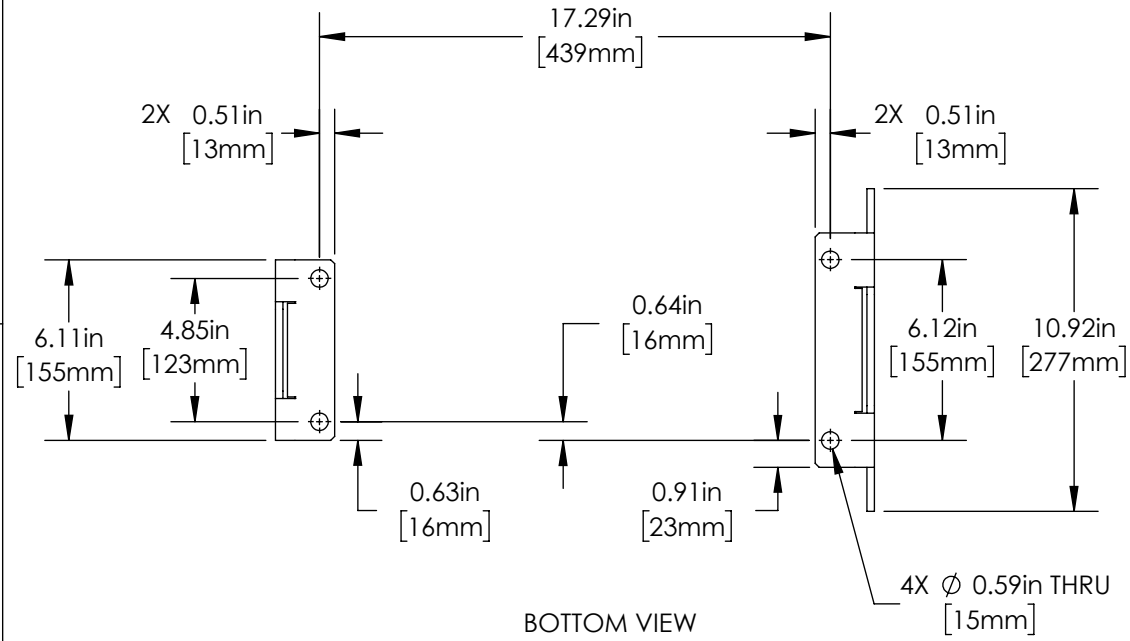
DWG. TITLE
P8400 ASSEMBLY- 3/4"
TOP LEVEL ASSEMBLY

REV 002	P8412CNQ3	SIZE B
-------------------	------------------	------------------

PROPRIETARY AND CONFIDENTIAL
THE INFORMATION CONTAINED HEREIN IS PROPRIETARY TO CHECKPOINT SYSTEMS AND SHALL NOT BE REPRODUCED OR DISCLOSED IN WHOLE OR IN PART OR USED FOR ANY PUPOSE EXCEPT WHEN SUCH USER POSSESSES DIRECT WRITTEN AUTHORIZATION FROM CHECKPOINT SYSTEMS

DRAWING NUMBER SHEET 2 OF 2

DATE	APPROVED
MAR-07-25	JF



MARKETING DRAWING



CheckPoint Pumps & Systems		DWG. TITLE P8400 ASSEMBLY- 1" TOP LEVEL ASSEMBLY	SIZE B
REV 002	P8416CNQ3	DRAWING NUMBER	SHEET 1 OF 2

WEIGHT	220.5 lb / 100 kg
--------	-------------------

PROPRIETARY AND CONFIDENTIAL
THE INFORMATION CONTAINED HEREIN IS PROPRIETARY TO CHECKPOINT SYSTEMS AND SHALL NOT BE REPRODUCED OR DISCLOSED IN WHOLE OR IN PART OR USED FOR ANY PURPOSE EXCEPT WHEN SUCH USER POSSESSES DIRECT WRITTEN AUTHORIZATION FROM CHECKPOINT SYSTEMS

P8416CNH3 - CERAMIC - HNBR

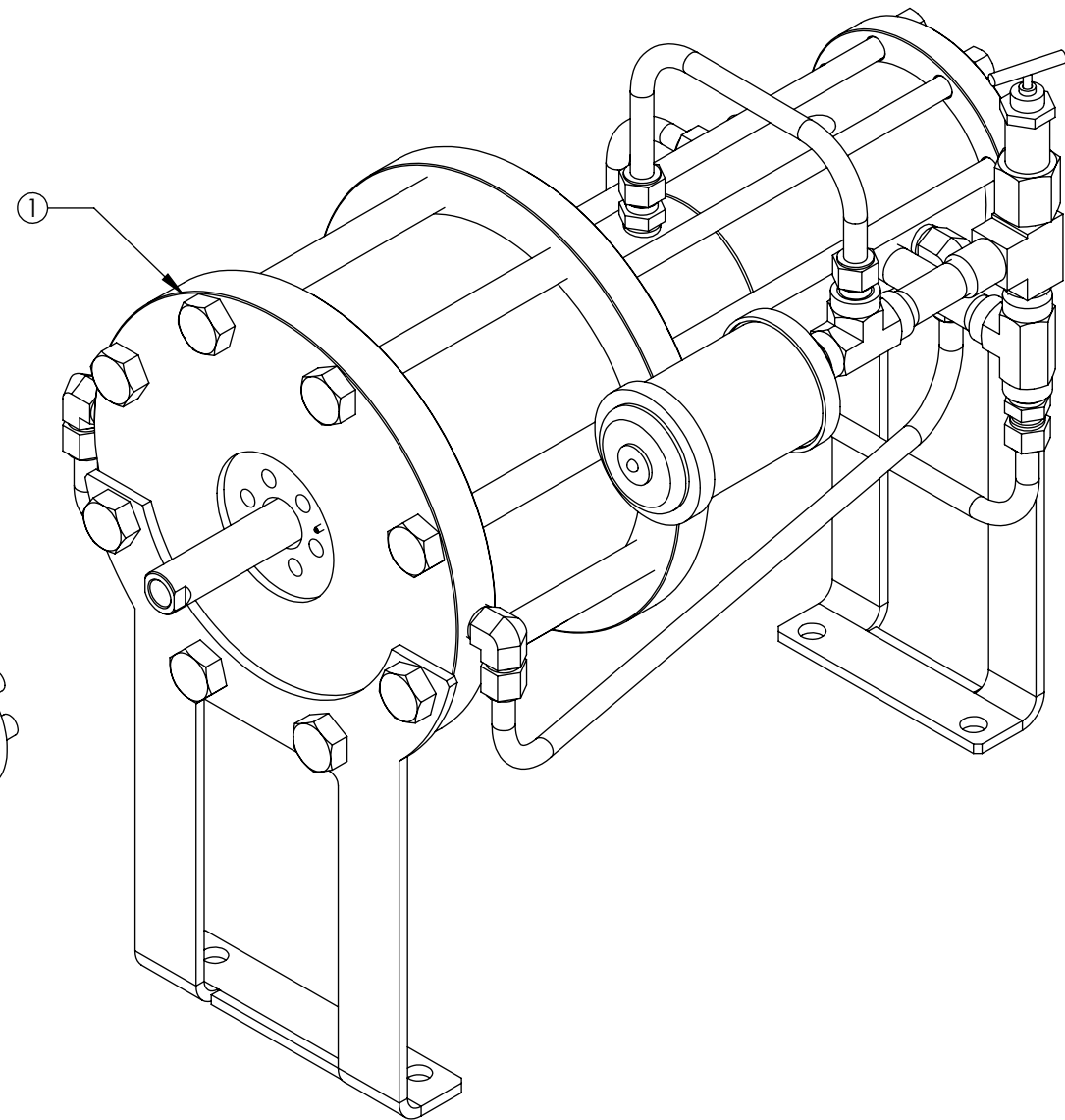
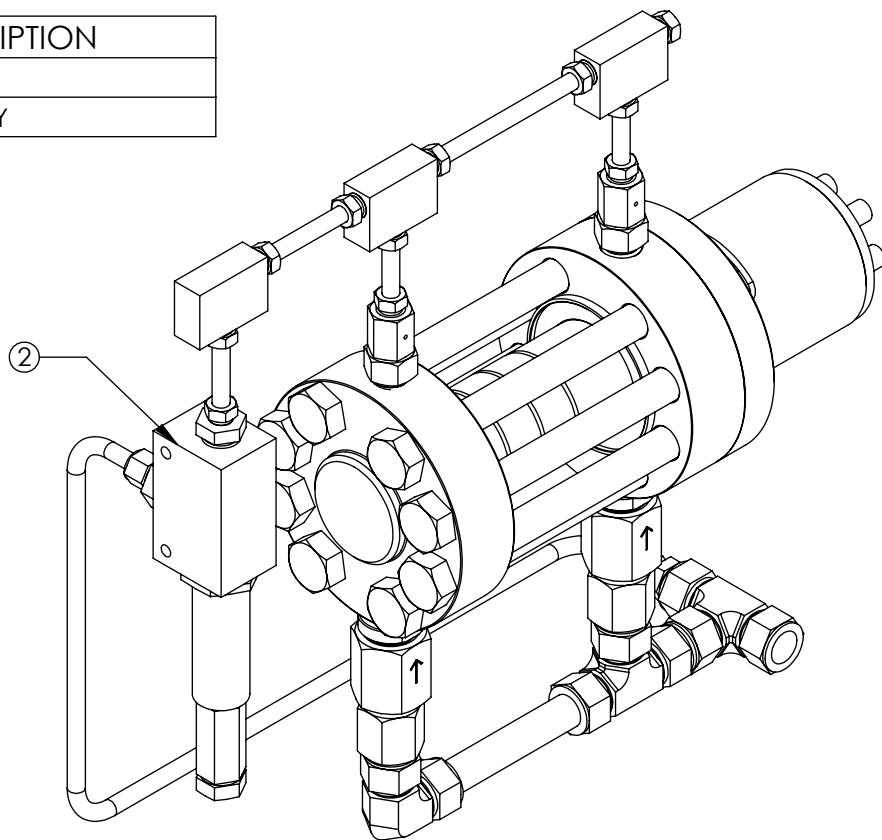
ITEM NO.	NUMBER	DESCRIPTION
1	P84MSA1	8400 MOTOR
2	W84MN16CAHPN3H6	P84 WET END ASSY

P8416CNQ3 - CERAMIC - FKM

ITEM NO.	NUMBER	DESCRIPTION
1	P84MSA1	8400 MOTOR
2	W84MN16CAQPN3Q6	P84 WET END ASSY

P8416CNF3 - CERAMIC - FFKM

ITEM NO.	NUMBER	DESCRIPTION
1	P84MSA1	8400 MOTOR
2	W84MN16CAFPN3F6	P84 WET END ASSY



NOTE: SERIAL NUMBER PLATE / ATTACH SCREWS NOT SHOWN

MARKETING DRAWING

CheckPoint
Pumps & Systems



DWG. TITLE		REV	SIZE
P8400 ASSEMBLY- 1" TOP LEVEL ASSEMBLY			
002	P8416CNQ3		B
DRAWING NUMBER			SHEET 2 OF 2

PROPRIETARY AND CONFIDENTIAL
THE INFORMATION CONTAINED HEREIN IS PROPRIETARY TO CHECKPOINT SYSTEMS AND SHALL NOT BE REPRODUCED OR DISCLOSED IN WHOLE OR IN PART OR USED FOR ANY PUPOSE EXCEPT WHEN SUCH USER POSSESSES DIRECT WRITTEN AUTHORIZATION FROM CHECKPOINT SYSTEMS