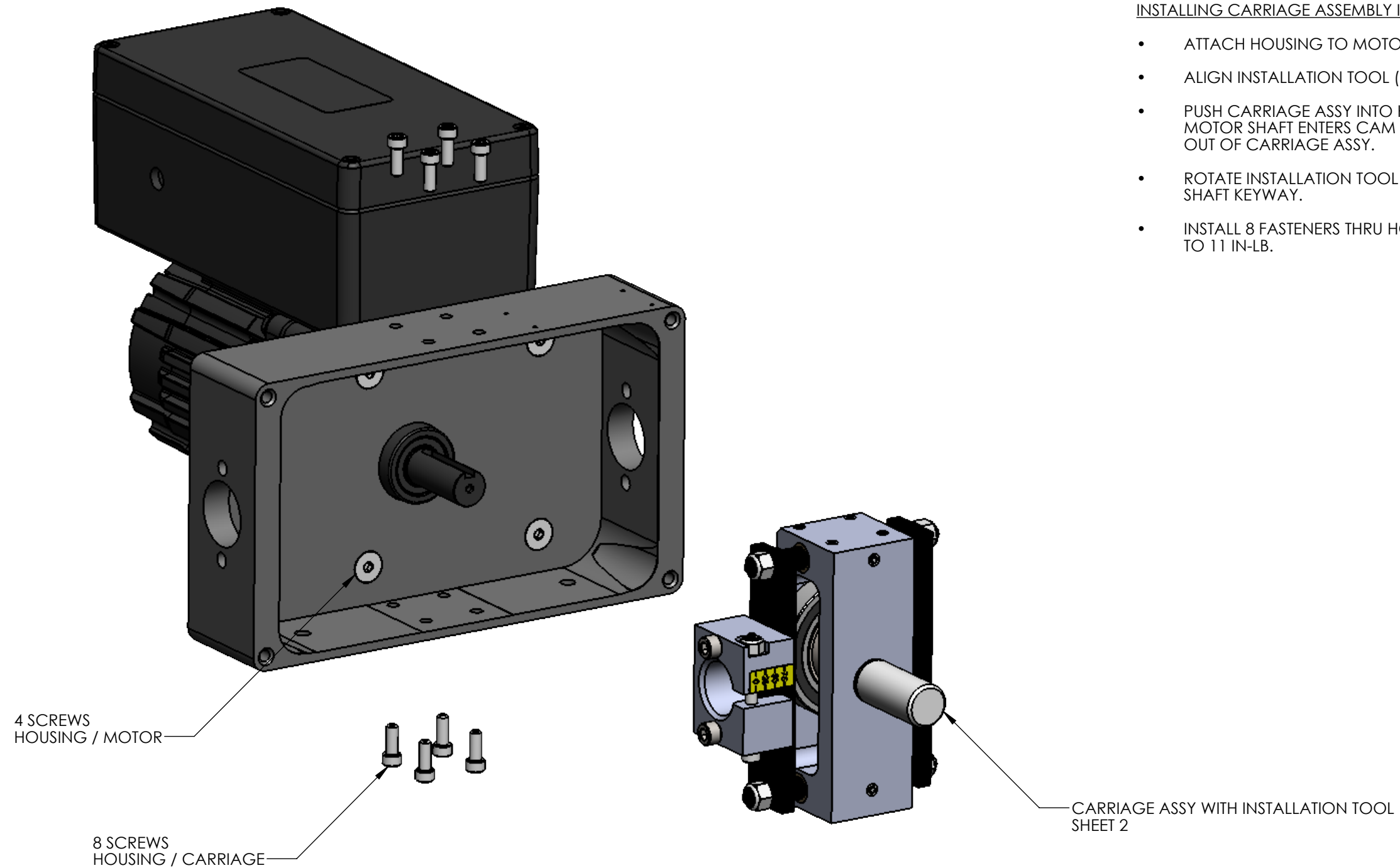


SERIES ATP MOTOR INSTALL DRAWING

NOTE:
WHILE THE INSTALLATION TOOL IS NOT REQUIRED TO INSTALL THE MOTOR INTO THE PUMP IT MAKES THE OPERATION MUCH EASIER BY KEEPING THE CAM AND THRUST WASHER ALIGNED. REMOVING THE CARRIAGE ASSEMBLY FROM THE HOUSING MAKES INSTALLING THE INSTALLATION TOOL MUCH EASIER .


INSTALLING CARRIAGE ASSEMBLY INTO HOUSING

- ATTACH HOUSING TO MOTOR USING 4 FLAT HEAD SCREWS
- ALIGN INSTALLATION TOOL (IN CARRIAGE ASSY) WITH MOTOR SHAFT.
- PUSH CARRIAGE ASSY INTO HOUSING AND ONTO SHAFT. AS THE MOTOR SHAFT ENTERS CAM THE INSTALLATION TOOL WILL BE PUSHED OUT OF CARRIAGE ASSY.
- ROTATE INSTALLATION TOOL TO ALIGN KEY (LOCATED IN CAM) TO SHAFT KEYWAY.
- INSTALL 8 FASTENERS THRU HOUSING INTO CARRIAGE ASSY. TORQUE TO 11 IN-LB.

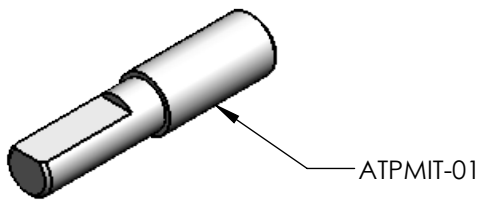
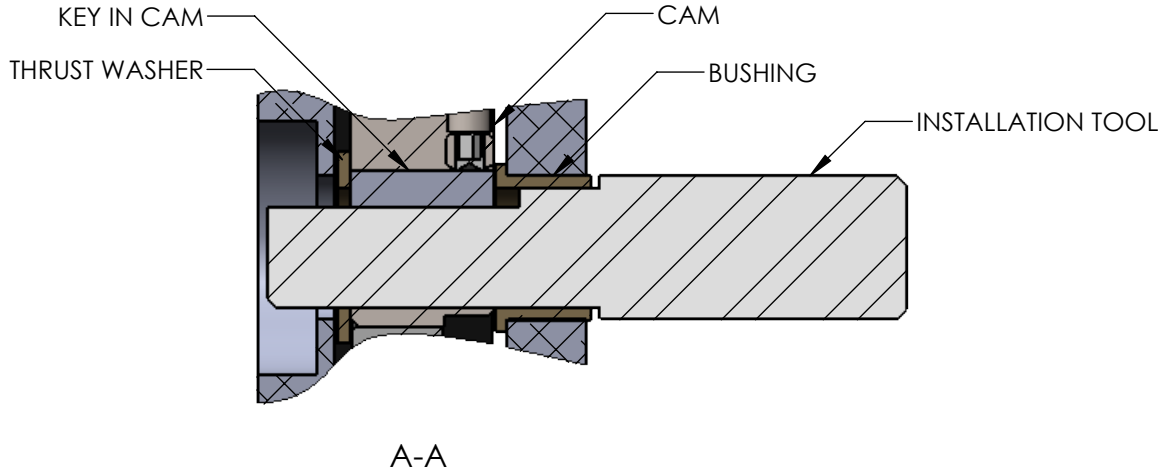
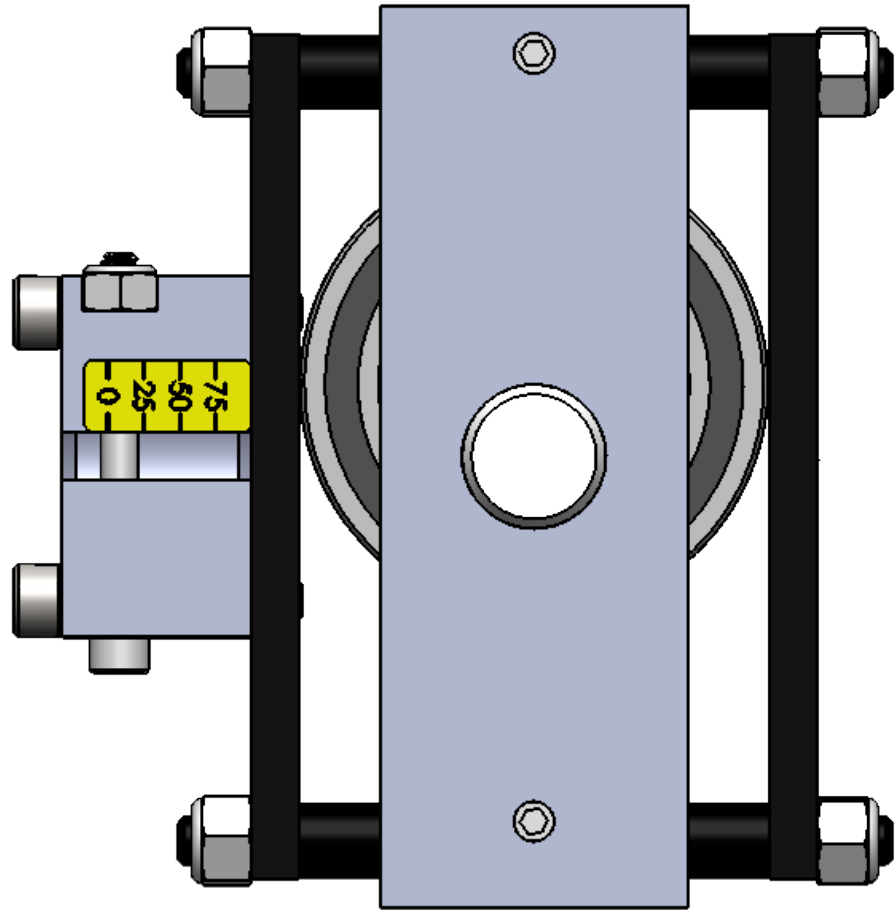


PROPRIETARY AND CONFIDENTIAL
THE INFORMATION CONTAINED HEREIN IS PROPRIETARY TO CHECKPOINT SYSTEMS AND SHALL NOT BE REPRODUCED OR DISCLOSED IN WHOLE OR IN PART OR USED FOR ANY PURPOSE EXCEPT WHEN SUCH USER POSSESSES DIRECT WRITTEN AUTHORIZATION FROM CHECKPOINT SYSTEMS

-- DO NOT SCALE DRAWING --

| | | | |
|---|---------------|---|--|
| DOC EFF - 3/10/2019 | | CheckPoint Pumps & Systems | |
|  | | DWG. TITLE MOTOR INSTALL DRAWING ATP PUMP | |
| REV 00 | MKT-MTR INSTL | SIZE B | |
| DRAWING NUMBER | | SHEET 1 OF 2 | |

SERIES ATP MOTOR INSTALL DRAWING



INSTALLATION TOOL IN CARRIAGE ASSEMBLY

MOTOR INSTALLATION TOOL

PROPRIETARY AND CONFIDENTIAL
 THE INFORMATION CONTAINED HEREIN IS PROPRIETARY TO CHECKPOINT SYSTEMS AND SHALL NOT BE REPRODUCED OR DISCLOSED IN WHOLE OR IN PART OR USED FOR ANY PURPOSE EXCEPT WHEN SUCH USER POSSESSES DIRECT WRITTEN AUTHORIZATION FROM CHECKPOINT SYSTEMS

-- DO NOT SCALE DRAWING --

| | | | |
|---------------------|---------------|--|--|
| DOC EFF - 3/10/2019 | | | |
| | | DWG. TITLE MOTOR INSTALL DRAWING ATP PUMP | |
| REV 00 | MKT-MTR INSTL | SIZE B | |
| DRAWING NUMBER | | SHEET 2 OF 2 | |