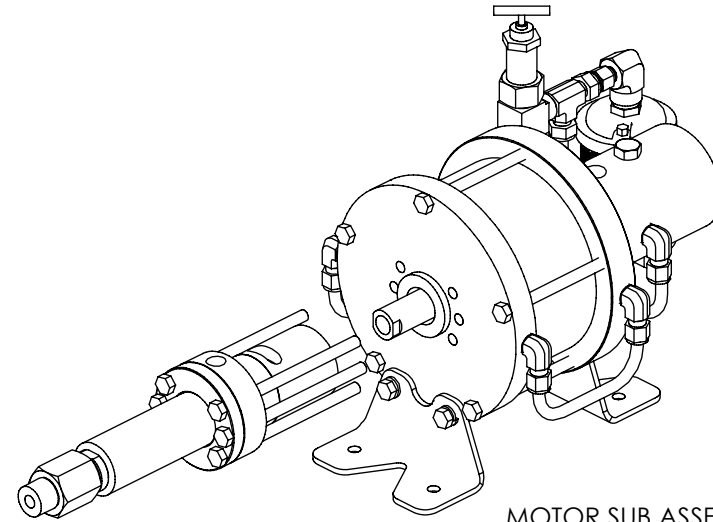
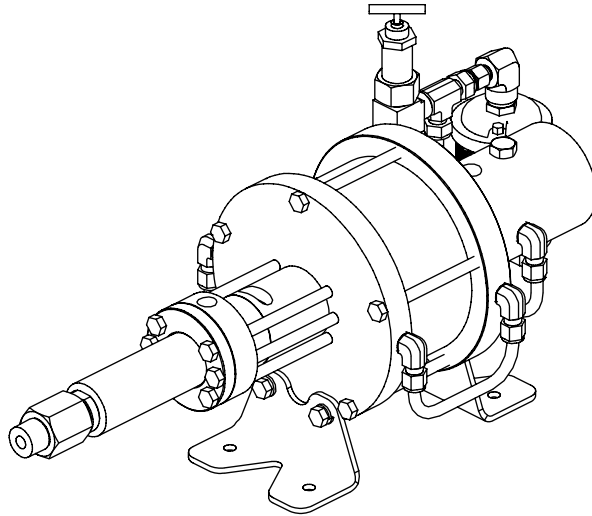
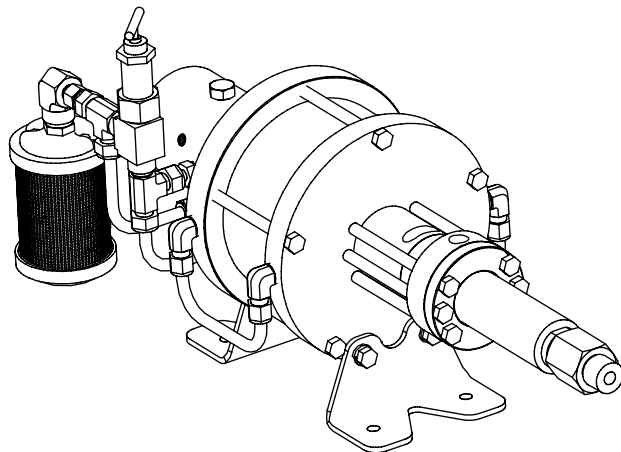


Call your CheckPoint representative  
about pre-assembled rebuild kits  
+1 (504) 340-0770



MOTOR SUB ASSEMBLY

WET END  
SHEET 2



-- DO NOT SCALE DRAWING --

FOR REFERENCE ONLY  
CONTROLLED BY PDM



**CheckPoint**  
Pumps & Systems

DWG. TITLE

6212 PUMP ASSY - 3/4"  
DOUBLE ACTING

REV.

002

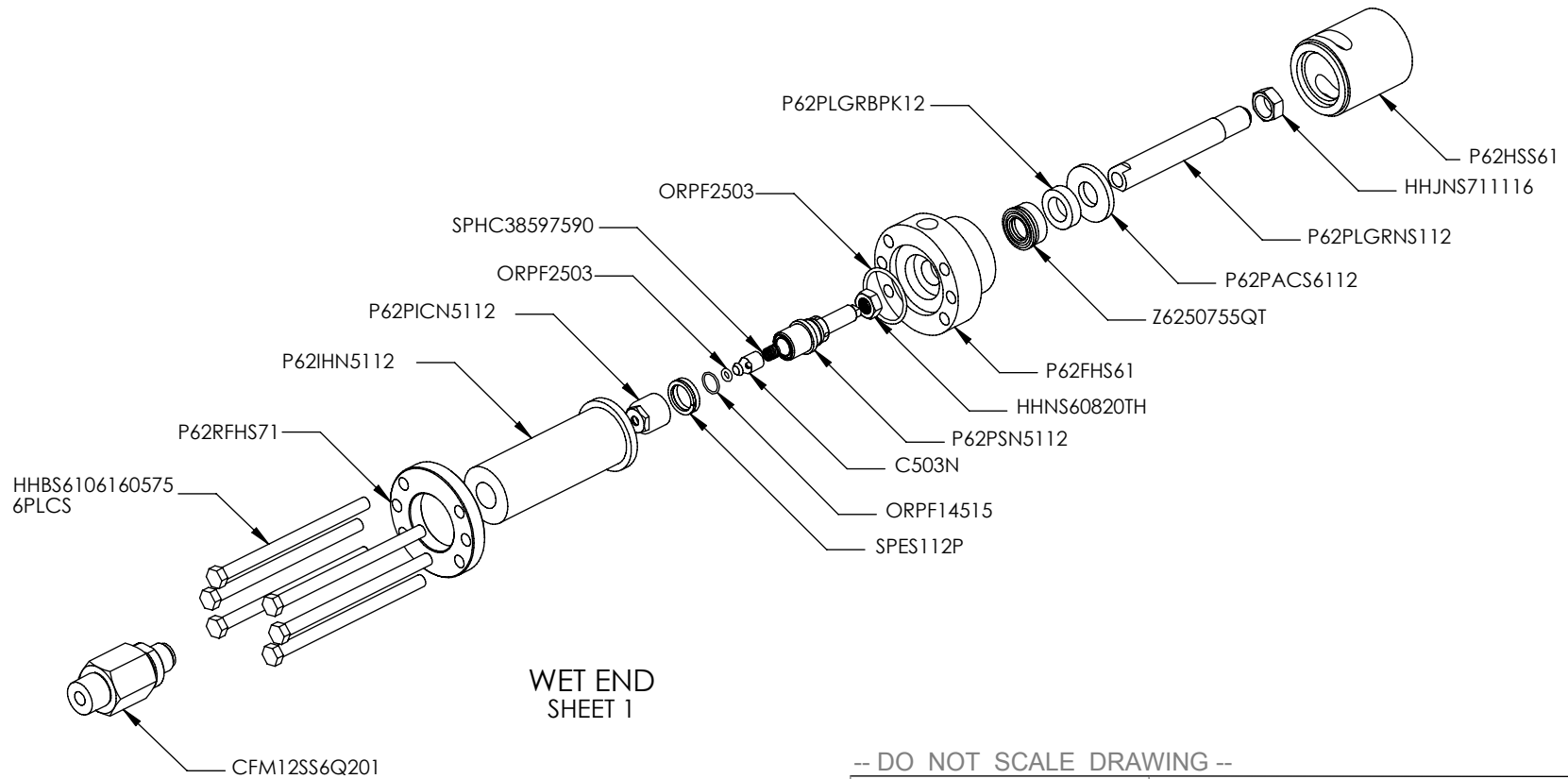
ASSY #

P6212NNQ3

SIZE

A

DRAWING NUMBER



-- DO NOT SCALE DRAWING --

FOR REFERENCE ONLY  
CONTROLLED BY PDM



**CheckPoint**  
Pumps & Systems

DWG. TITLE  
6212 PUMP ASSY - 3/4"  
DOUBLE ACTING


REV.	ASSY #
002	P6212NNQ3

SIZE
A

DRAWING NUMBER

BILL OF MATERIALS			
PART NUMBER	DESCRIPTION	QTY.	MATERIAL CODE
C503N	POPPET	1	XL
CFM12SS6Q201	SUCTION CHECK ASSY	1	N/A
HHBS6106160575	HEAD BOLT	6	S6
HHJNS711116	JAM NUT	1	S7
HHNS60820TH	JAM NUT	1	S6
ORPF0403	O RING	1	PF
ORPF14515	O RING	1	PF
ORPF2503	O RING	1	PF
P62FHS61	HEAD FLANGE	1	S6
P62HSS61	SPACER	1	S6
P62FHS61	HEAD FLANGE	1	S6
P62HSS61	SPACER	1	S6
P62IHN5112	HEAD	1	XL
P62MSA1	MOTOR ASSY	1	N/A
P62PACS6112	SEAL RETAINER	1	S6
P62PICN5112	PISTON CAP	1	XL
P62PLGRBPK12	PLUNGER BUSHING	1	PK
P62PLGRNS112	PLUNGER HEAD - 3/4 IN	1	XWL
P62PSN5112	PISTON SCREW	1	XL
P62RFHS71	RETAINING RING	1	S7
SPES112P	PISTON SEAL	1	PK/PF/TC
SPHC38597590	POPPET SPRING	1	HC
Z6250755QT	PACKING	1	PK/PF/TC

-- DO NOT SCALE DRAWING --

FOR REFERENCE ONLY CONTROLLED BY PDM		<b>CheckPoint</b> Pumps & Systems	
		DWG. TITLE <b>6212 PUMP ASSY - 3/4" DOUBLE ACTING</b>	
REV. <b>002</b>	ASSY # <b>P6212NNQ3</b>	SIZE <b>A</b>	
DRAWING NUMBER		PAGE 3 OF 4	

MATERIAL CODES		
MATERIAL	CODE	Temperature (°C) Min/Max
304 Stainless Steel	S4	N/A
316 Stainless Steel	S6	N/A
17-4 PH Stainless Steel - HH 1150	S7	N/A
420 Stainless Steel	S0	N/A
5052 Aluminum	0	N/A
6061 Aluminum	A6	N/A
Acetal	AC	-40/149
AFLAS ®	AF	-
Buna-N ®	BU	-40/121
Ceramic - Everwear™	CE	N/A
Ceramic - NBD200™	CN	N/A
DELRIN	DL	-40/149
Duplex 2205	D4	N/A
Super Duplex 2507	D5	N/A
Elgiloy ®	EL	N/A
FKM	PF	-20/200
303 Stainless Steel	S3	N/A
FFKM	FK	-1/287
Hastelloy C276	HC	N/A
HNBR	HN	-52/149
Iron	FE	N/A
Low Carbon Steel	ST	N/A
Monel ®	MO	N/A
PVC	PV	Max +140
PEEK	PK	-73/288
Teflon ® - Bronze Filled	TB	-268/288
Teflon ® - Carbon Filled	TC	-268/288
Teflon ® - Glass Filled	TG	-268/288
Teflon ® - Mineral Filled	TM	-268/288
Teflon ® - Polyimide Filled	TP	-268/288
Teflon ® - Virgin Filled	TF	-268/232
Titanium	TI	N/A
Ultra High Molecular Weight Polyethylene (UHMWPE)	UH	-268/288
Urethane	UR	-53/104
Viton ®	VI	-23/232
XWL	XL	N/A