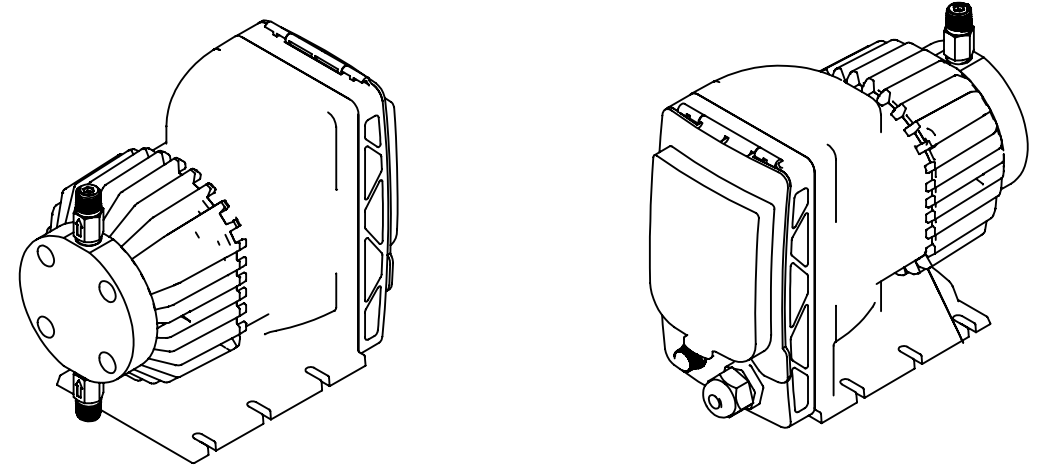
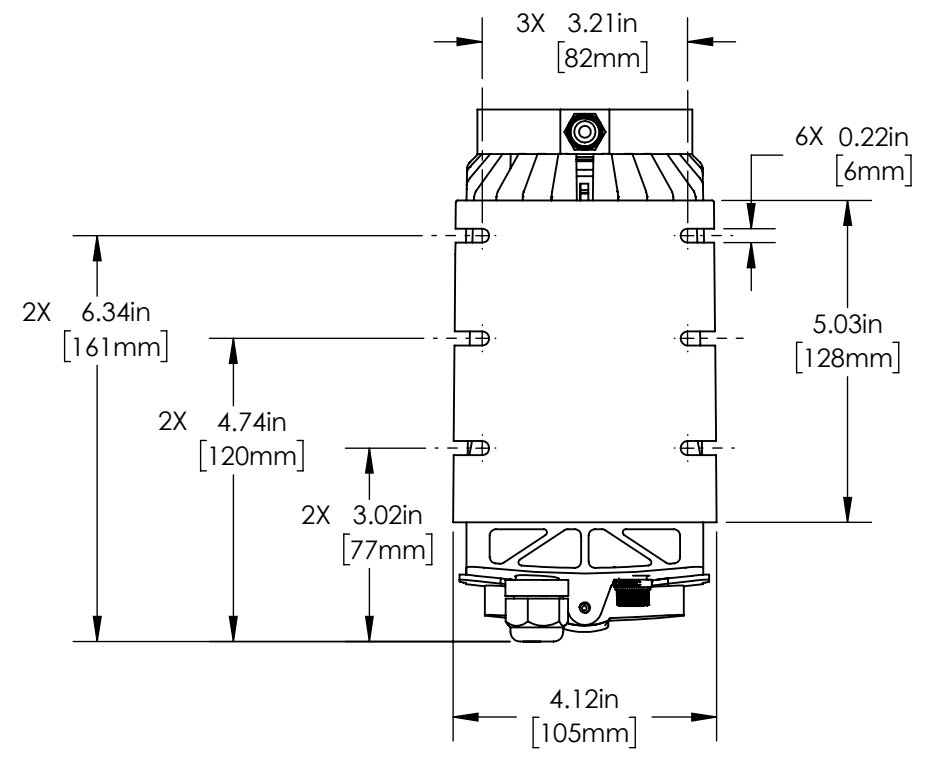
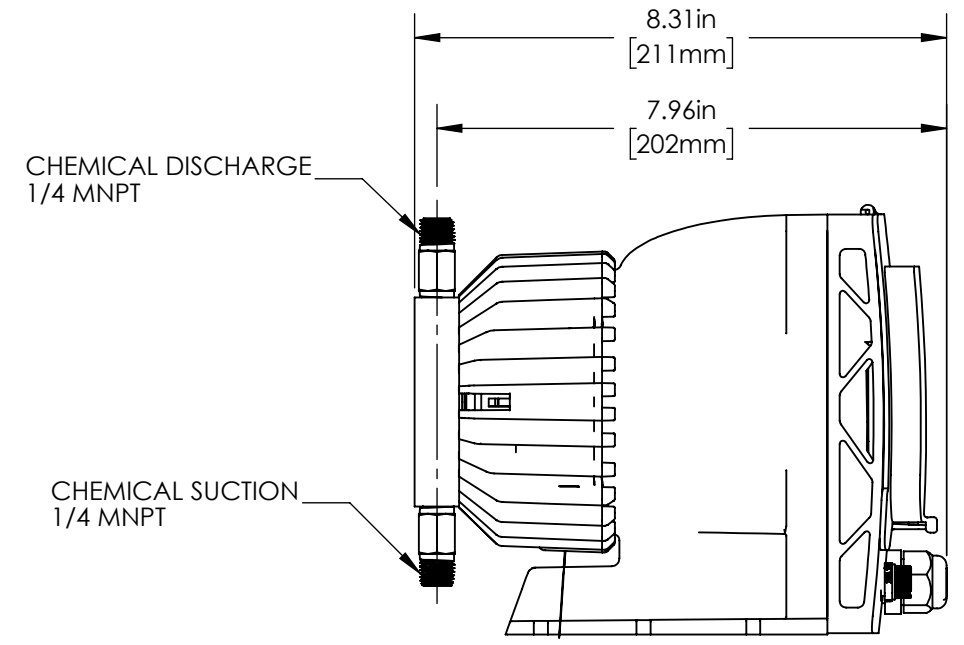
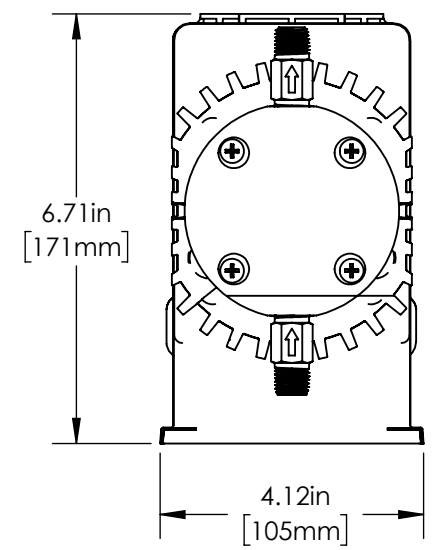


REVISIONS		
REV	DATE	APPROVED
A	04/03/18	WRS



CheckPoint
Pumps & Systems

DWG. TITLE
**SERIES S
ELECTRIC PUMP**

S1X072SCTA10

DRAWING NUMBER

SIZE
B

SHEET 1 OF 2

PROPRIETARY AND CONFIDENTIAL
THE INFORMATION CONTAINED HEREIN IS PROPRIETARY TO CHECKPOINT SYSTEMS AND SHALL NOT BE REPRODUCED OR DISCLOSED IN WHOLE OR IN PART OR USED FOR ANY PUPOSE EXCEPT WHEN SUCH USER POSSESSES DIRECT WRITTEN AUTHORIZATION FROM CHECKPOINT SYSTEMS