

-- DO NOT SCALE DRAWING --

FOR REFERENCE ONLY
CONTROLLED BY PDM



CheckPoint
Pumps & Systems

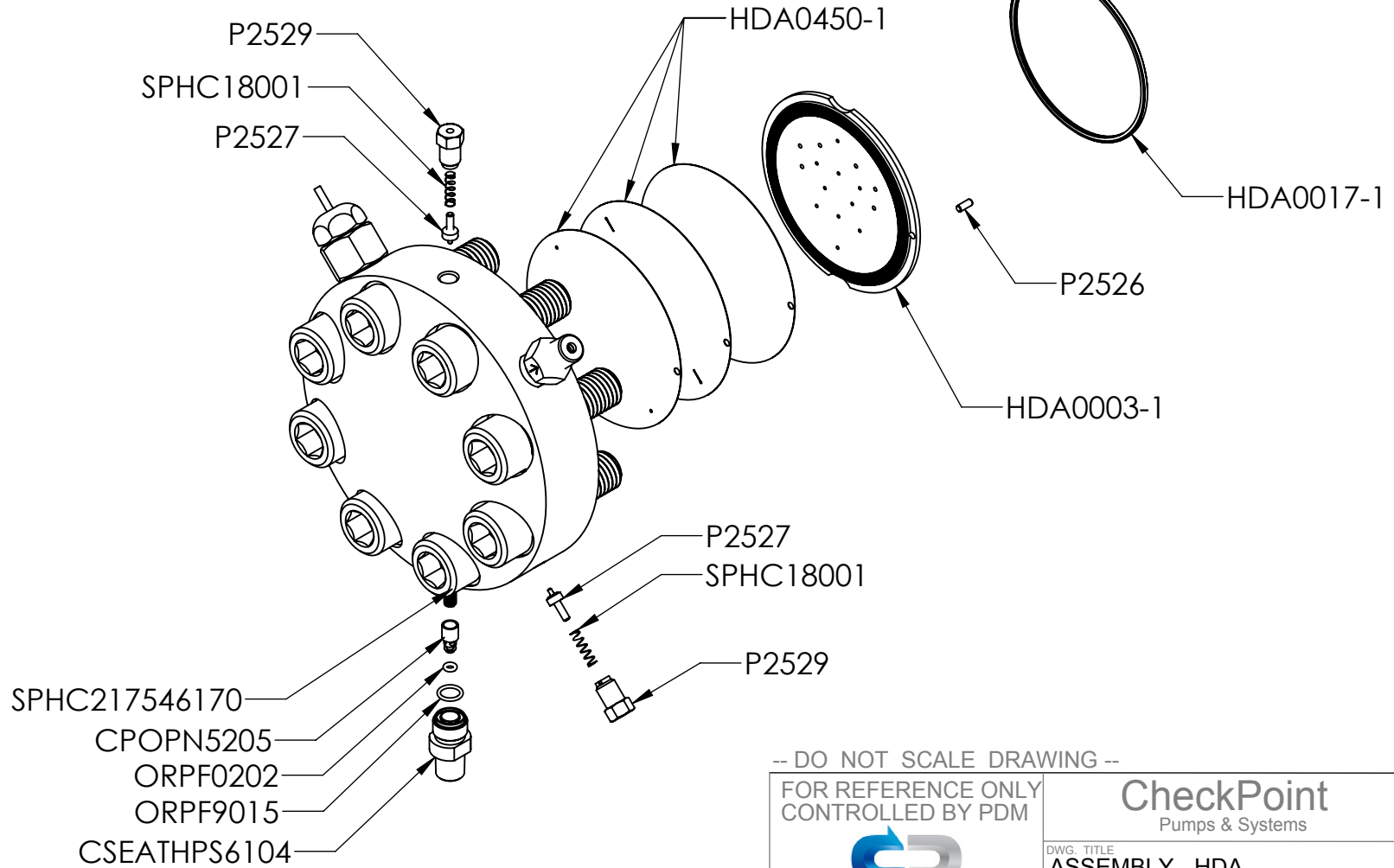
DWG. TITLE
**ASSEMBLY - HDA
10mm CERAMIC**

REV.
-.03

HDA10LTDCTT

SIZE
A

DRAWING NUMBER



-- DO NOT SCALE DRAWING --

FOR REFERENCE ONLY
CONTROLLED BY PDM

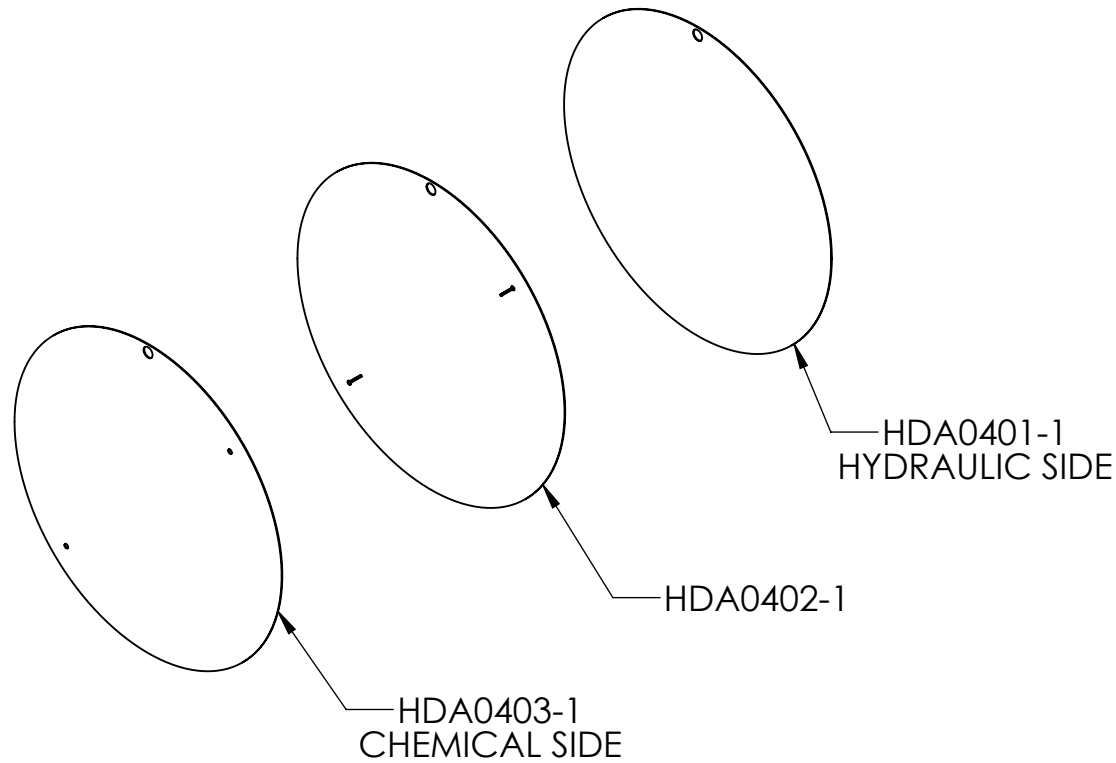


CheckPoint
Pumps & Systems

DWG. TITLE
**ASSEMBLY - HDA
CHEMICAL HEAD SUB ASSY**

REV. -.03	HDA10LTDCTT	SIZE A
---------------------	--------------------	------------------

DRAWING NUMBER



-- DO NOT SCALE DRAWING --

FOR REFERENCE ONLY
CONTROLLED BY PDM

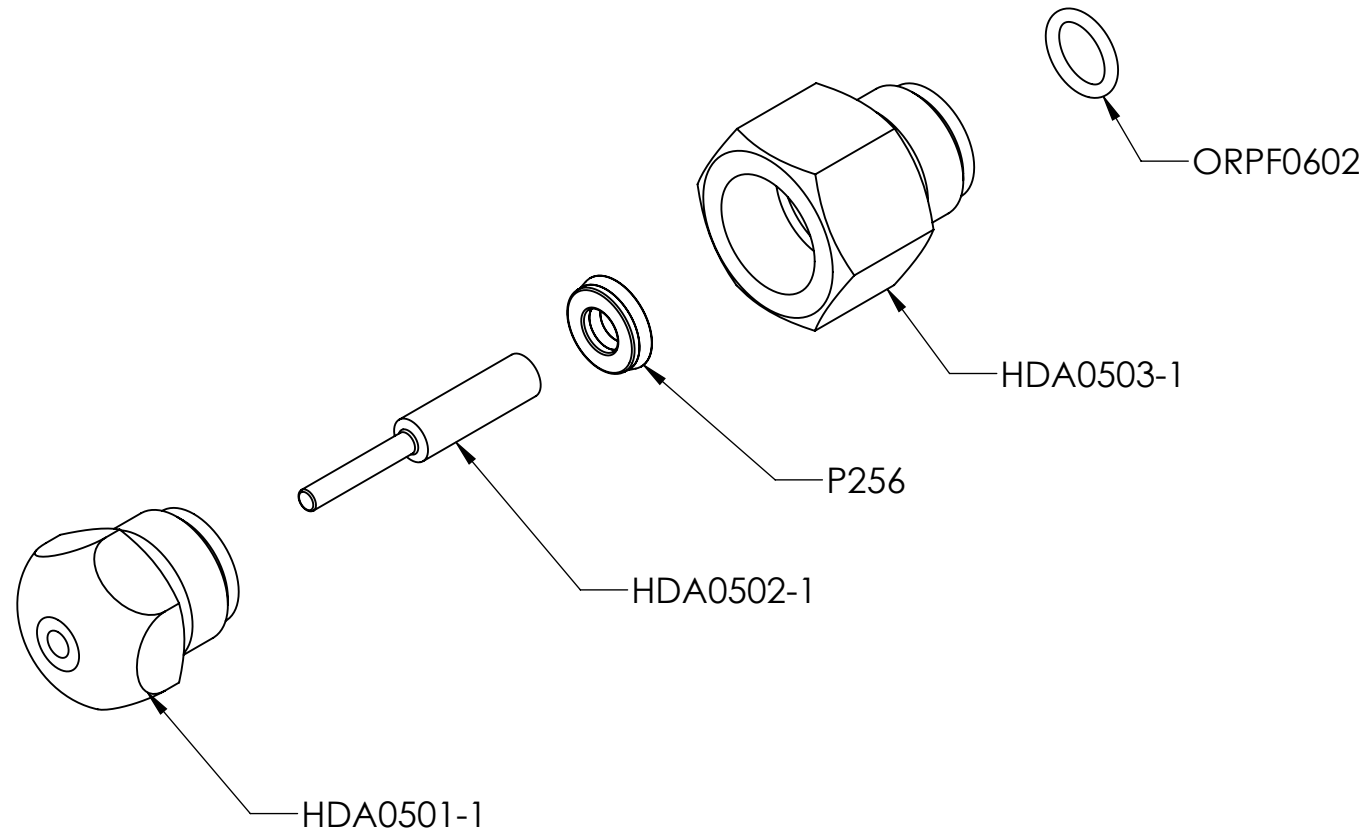


CheckPoint
Pumps & Systems

DWG. TITLE
**ASSEMBLY - HDA
METALLIC DIAPHRAGMS**

REV.	-02	HDA0450-1	SIZE A
------	-----	-----------	-----------

DRAWING NUMBER



-- DO NOT SCALE DRAWING --

FOR REFERENCE ONLY
CONTROLLED BY PDM

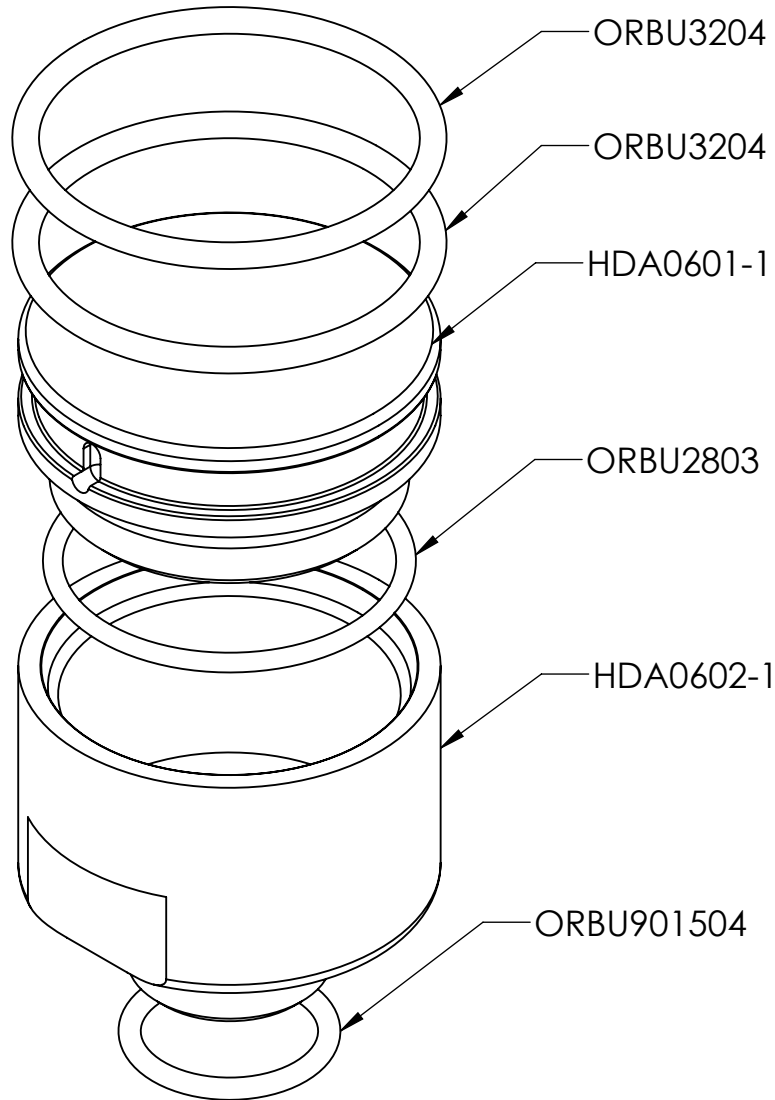


CheckPoint
Pumps & Systems

DWG. TITLE
**ASSEMBLY - LEAK DETECTION
TATTLE TALE**

REV. -01	HDA0550-1	SIZE A
-------------	-----------	-----------

DRAWING NUMBER



-- DO NOT SCALE DRAWING --

FOR REFERENCE ONLY
CONTROLLED BY PDM

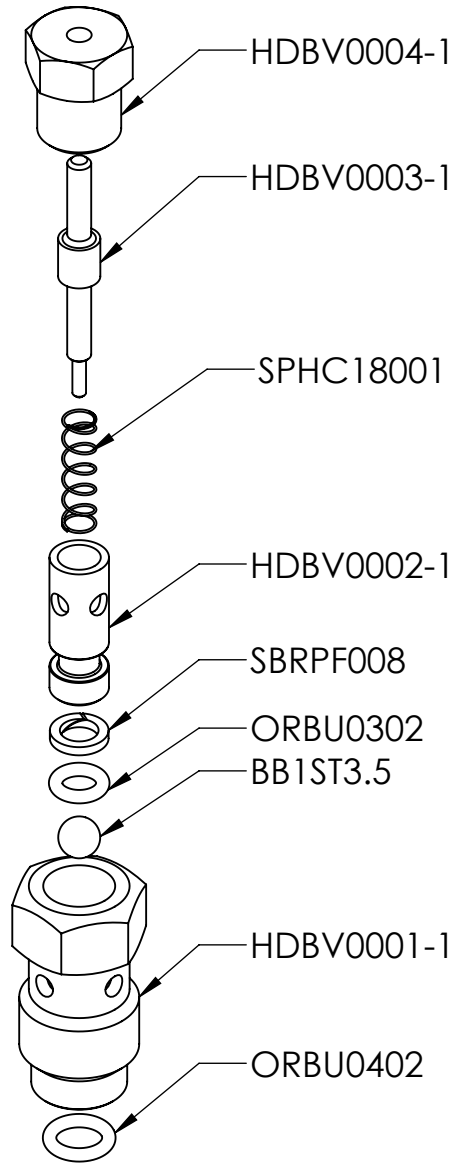


CheckPoint
Pumps & Systems

DWG. TITLE
**ASSEMBLY - HDA
HYDRAULIC RESERVOIR**

REV. -.02	HDA0650-1	SIZE A
---------------------	------------------	------------------

DRAWING NUMBER



-- DO NOT SCALE DRAWING --

FOR REFERENCE ONLY
CONTROLLED BY PDM



CheckPoint
Pumps & Systems

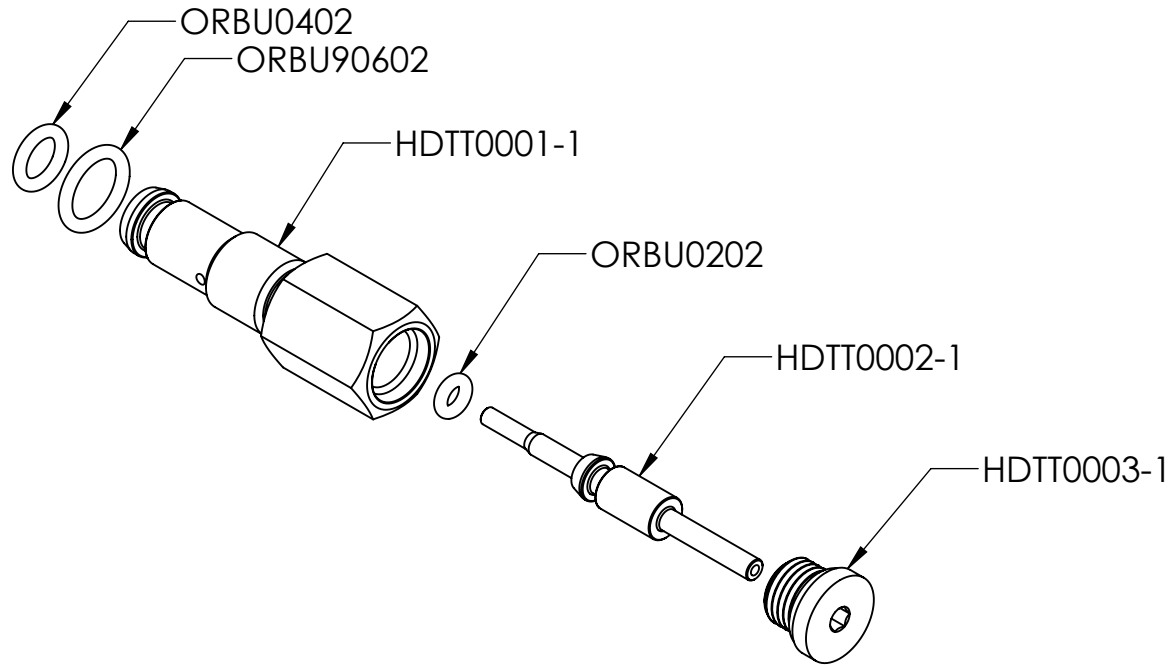
DWG. TITLE
ASSEMBLY - BURP VALVE

REV.
-.04

HDBV0100-1

SIZE
A

DRAWING NUMBER



-- DO NOT SCALE DRAWING --

FOR REFERENCE ONLY
CONTROLLED BY PDM

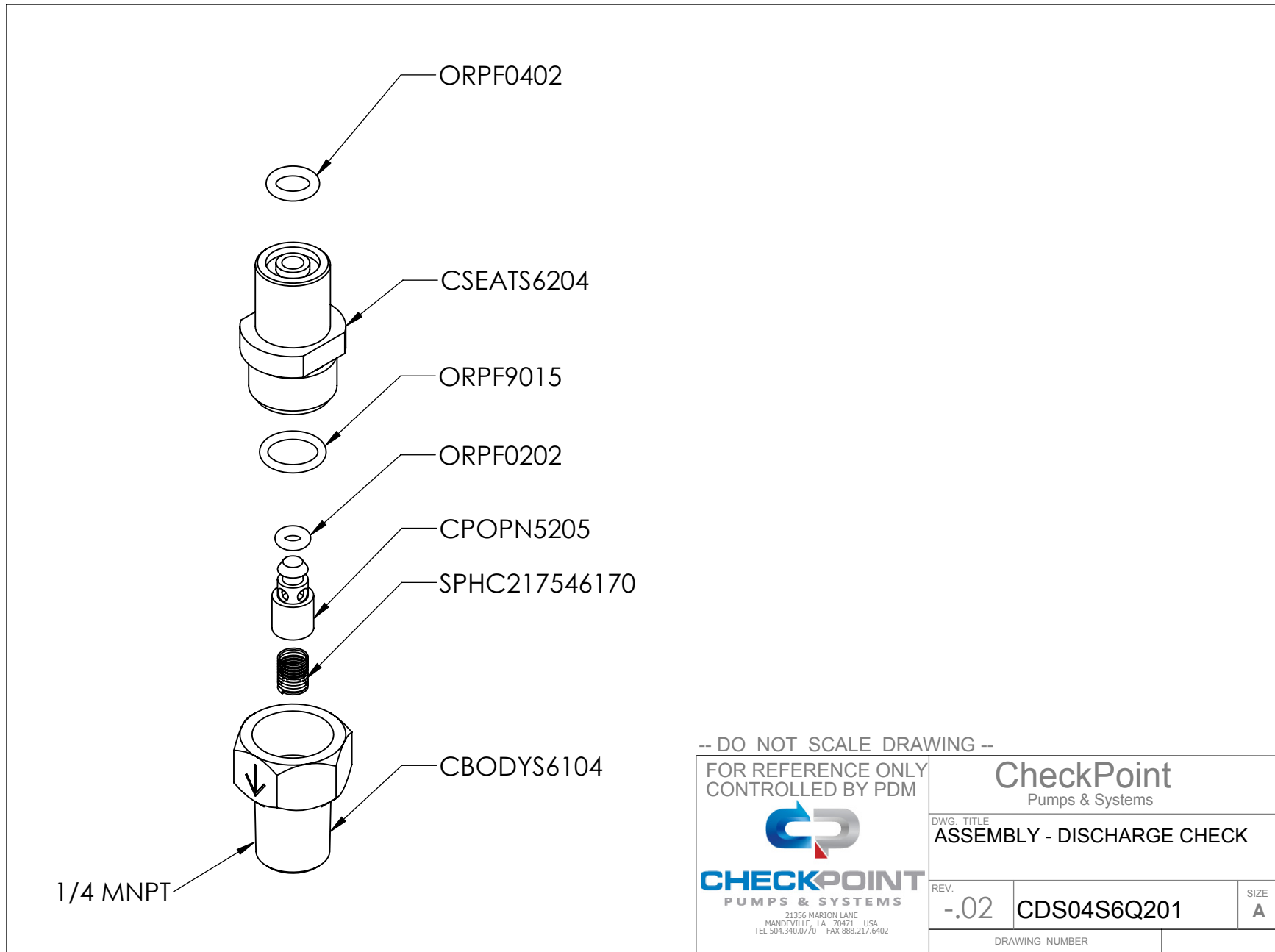


CheckPoint
Pumps & Systems



DWG. TITLE
ASSEMBLY - IRV TATTLE TALE

REV.	-.02	HDTT0100-1	SIZE A
------	------	------------	-----------

DRAWING NUMBER



-- DO NOT SCALE DRAWING --

FOR REFERENCE ONLY CONTROLLED BY PDM		 CheckPoint Pumps & Systems	
 21356 MARION LANE MANDEVILLE, LA 70471 USA TEL 504.340.0770 -- FAX 888.217.6402		DWG. TITLE ASSEMBLY - DISCHARGE CHECK	
REV.	-02	CDS04S6Q201	SIZE A
DRAWING NUMBER			