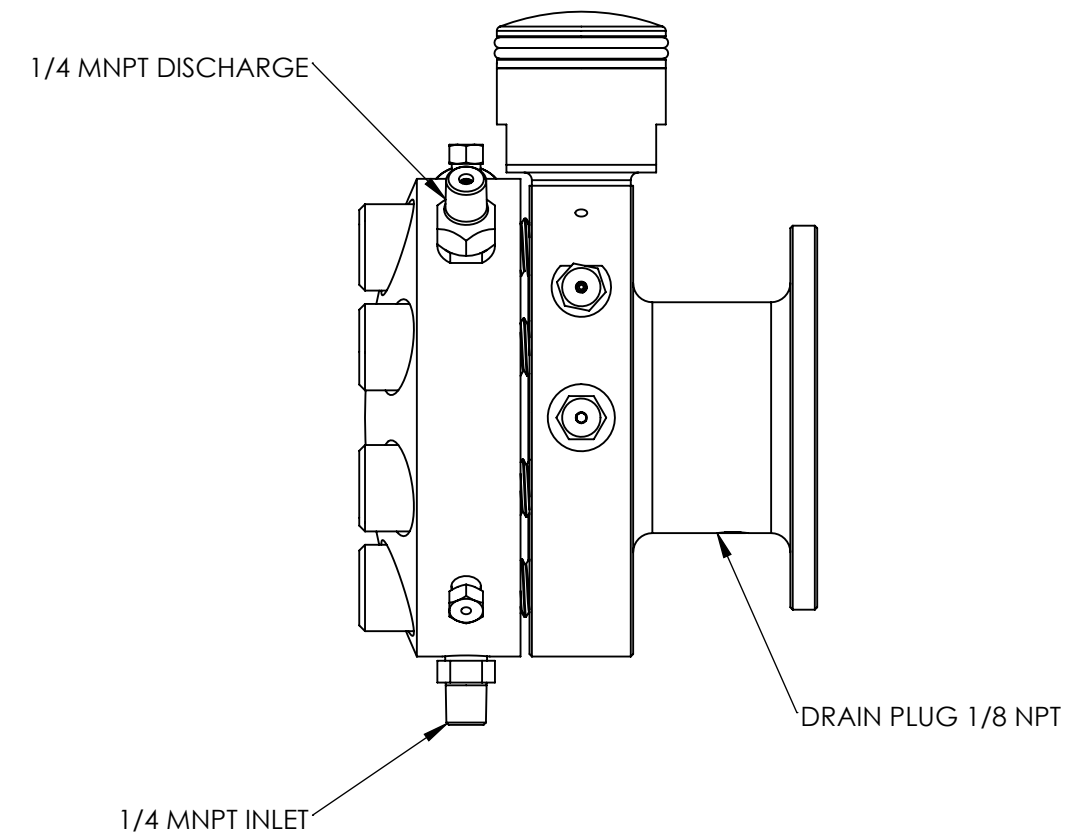
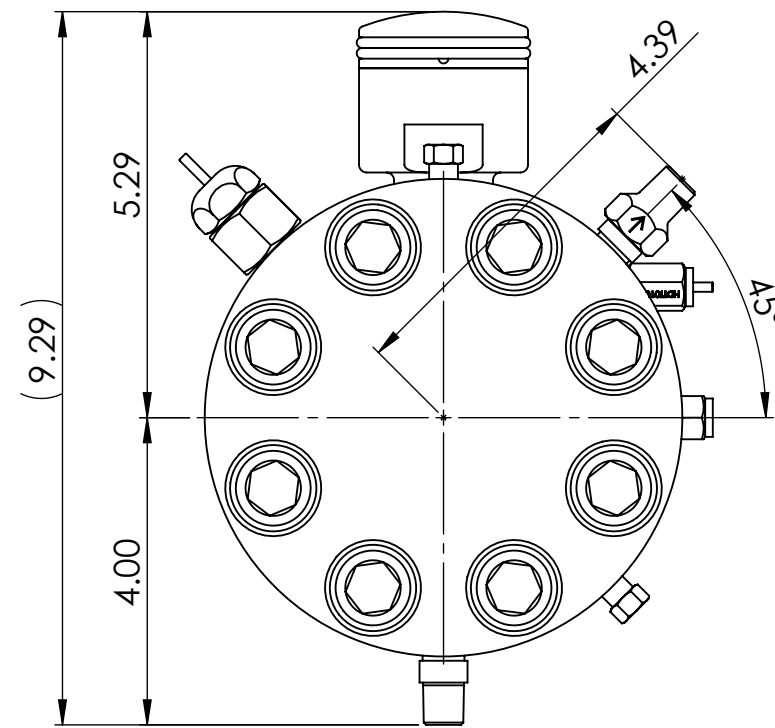
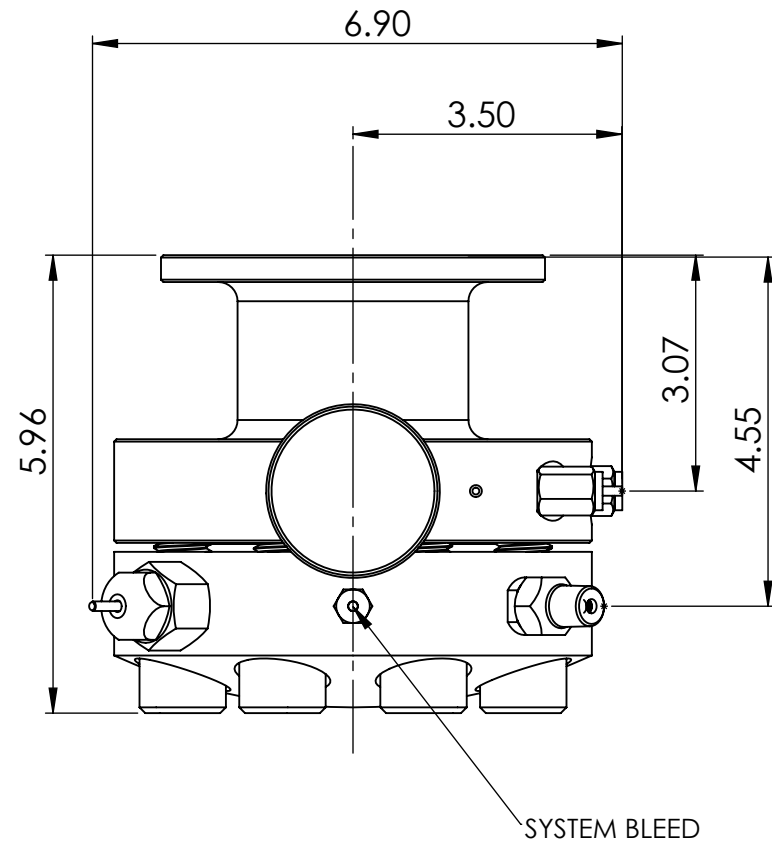
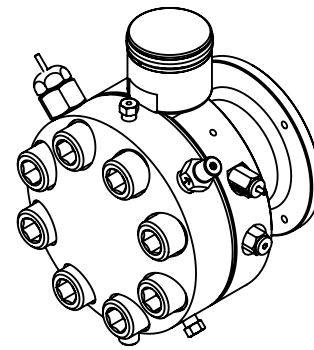


8 7 6 5 4 3 2 1

REVISIONS			
REV	DESCRIPTION	DATE	APPROVED
A	INITIAL RELEASE	3/29/2017	WRS

CP CERTIFIED DIMENSIONAL DRAWING



WEIGHT 29.4lb/13.3kg

PROPRIETARY AND CONFIDENTIAL

THE INFORMATION CONTAINED HEREIN IS PROPRIETARY TO CHECKPOINT SYSTEMS AND SHALL NOT BE REPRODUCED OR DISCLOSED IN WHOLE OR IN PART OR USED FOR ANY PUPOSE EXCEPT WHEN SUCH USER POSSESSES DIRECT WRITTEN AUTHORIZATION FROM CHECKPOINT SYSTEMS

21356 MARION LANE
MANDVILLE, LA 70471 USA
TEL 504.340.0770 - FAX 888.217.6402

CheckPoint
Pumps & Systems

DWG. TITLE
**HDA PUMP
(HDA10LTDCTT)**

CDDHDALTDCTT

DRAWING NUMBER

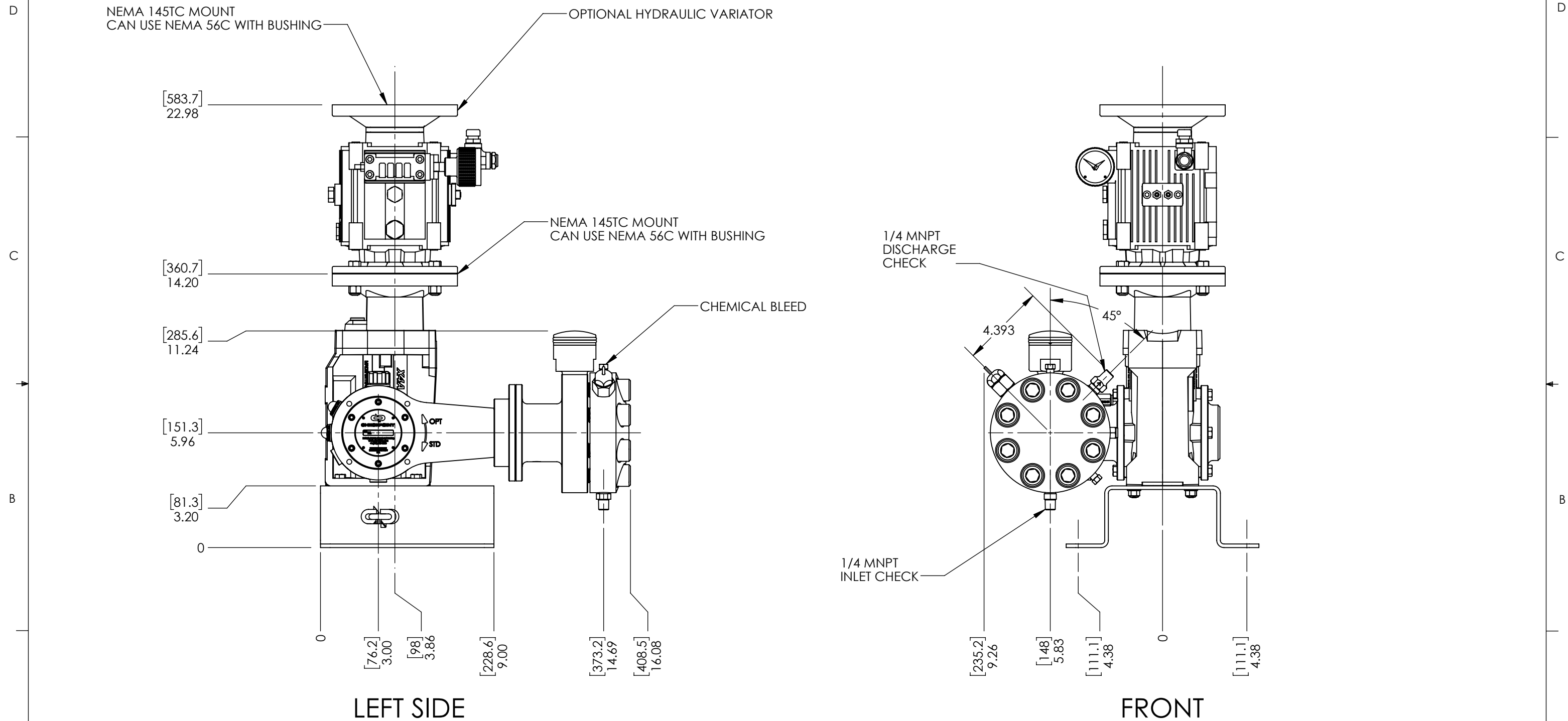
SHEET 1 OF 1

SIZE **B**

8 7 6 5 4 3 2 1

CP CERTIFIED DIMENSIONAL DRAWING

REVISIONS			
REV	DESCRIPTION	DATE	APPROVED
A	INITIAL RELEASE	03/29/2017	WRS



WEIGHT	WITH VARIATOR 78 lb / 35.4 kg
WEIGHT	NO VARIATOR 70 lb / 31.8 kg

PROPRIETARY AND CONFIDENTIAL

THE INFORMATION CONTAINED HEREIN IS PROPRIETARY TO CHECKPOINT SYSTEMS AND SHALL NOT BE REPRODUCED OR DISCLOSED IN WHOLE OR IN PART OR USED FOR ANY PURPOSE EXCEPT WHEN SUCH USER POSSESSES DIRECT WRITTEN AUTHORIZATION FROM CHECKPOINT SYSTEMS



21356 MARION LANE
MANDVILLE, LA 70471 USA
TEL 504.340.0770 - FAX 888.217.6402

CheckPoint
Pumps & Systems

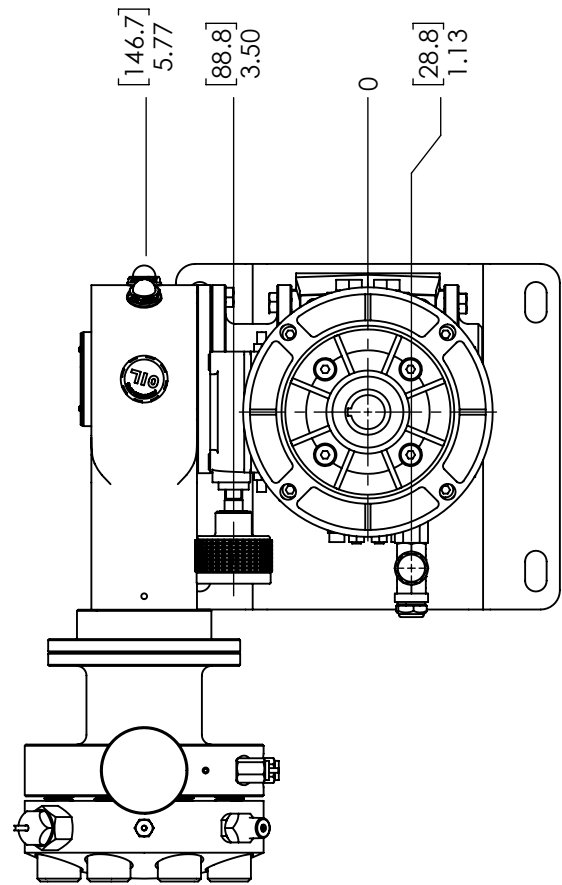
DWG. TITLE
**HDA PUMP ASSY
HA3B1--G3TT**

CDDHA3B1--G3TT

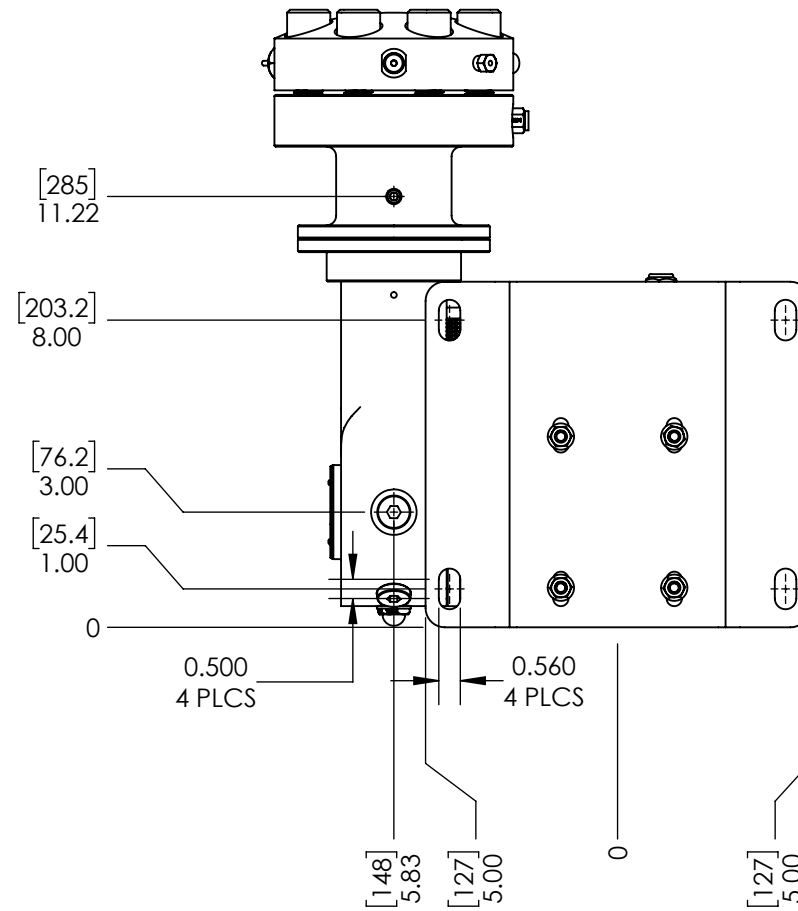
SIZE
B

DRAWING NUMBER

SHEET 1 OF 2



TOP



BOTTOM

-- DO NOT SCALE DRAWING --
BREAK SHARP EDGES: .005 - .010



UNLESS OTHERWISE SPECIFIED:
DIMENSIONS ARE IN INCHES AND
RADII = 0.015

TOLERANCES:
ANGULAR: ± 0.5 deg
DECIMAL:
.xx ±.010 .xxx ±.005

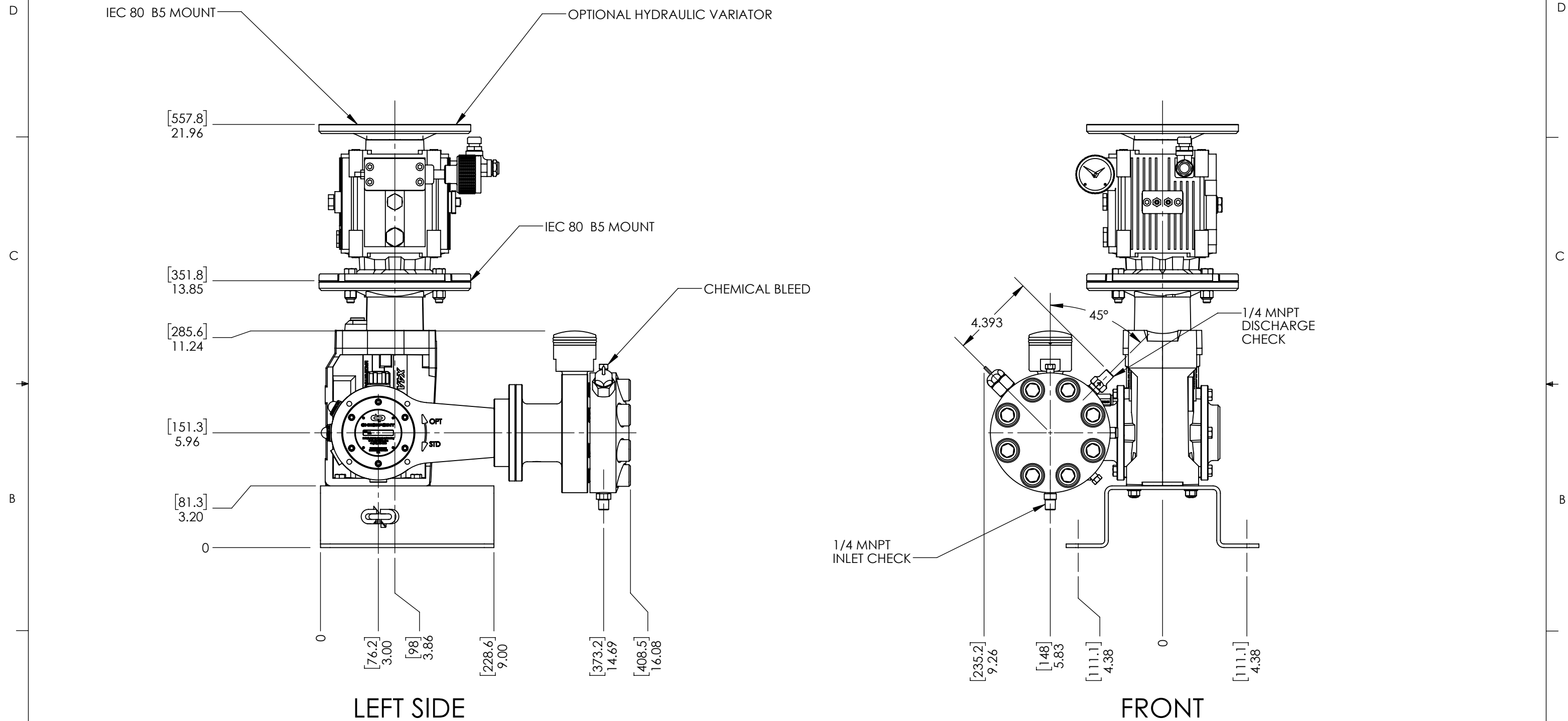
125/ 63/

CheckPoint Pumps & Systems	
DWG. TITLE HDA PUMP ASSY HA3B1--G3TT	
REV -.08	CDDHA3B1--G3TT
DRAWING NUMBER	SHEET 2 OF 2

PROPRIETARY AND CONFIDENTIAL
THE INFORMATION CONTAINED HEREIN IS PROPRIETARY TO CHECKPOINT SYSTEMS AND SHALL NOT BE REPRODUCED OR DISCLOSED IN WHOLE OR IN PART OR USED FOR ANY PURPOSE EXCEPT WHEN SUCH USER POSSESSES DIRECT WRITTEN AUTHORIZATION FROM CHECKPOINT SYSTEMS

CP CERTIFIED DIMENSIONAL DRAWING

REVISIONS			
REV	DESCRIPTION	DATE	APPROVED
A	INITIAL RELEASE	03/29/2017	WRS



WEIGHT	WITH VARIATOR 78 lb / 35.4 kg
WEIGHT	NO VARIATOR 70 lb / 31.8 kg

PROPRIETARY AND CONFIDENTIAL

THE INFORMATION CONTAINED HEREIN IS PROPRIETARY TO CHECKPOINT SYSTEMS AND SHALL NOT BE REPRODUCED OR DISCLOSED IN WHOLE OR IN PART OR USED FOR ANY PURPOSE EXCEPT WHEN SUCH USER POSSESSES DIRECT WRITTEN AUTHORIZATION FROM CHECKPOINT SYSTEMS



21356 MARION LANE
MANDVILLE, LA 70471 USA
TEL 504.340.0770 - FAX 888.217.6402

CheckPoint
Pumps & Systems

DWG. TITLE
**HDA PUMP ASSY
HA3P2--G3TT**

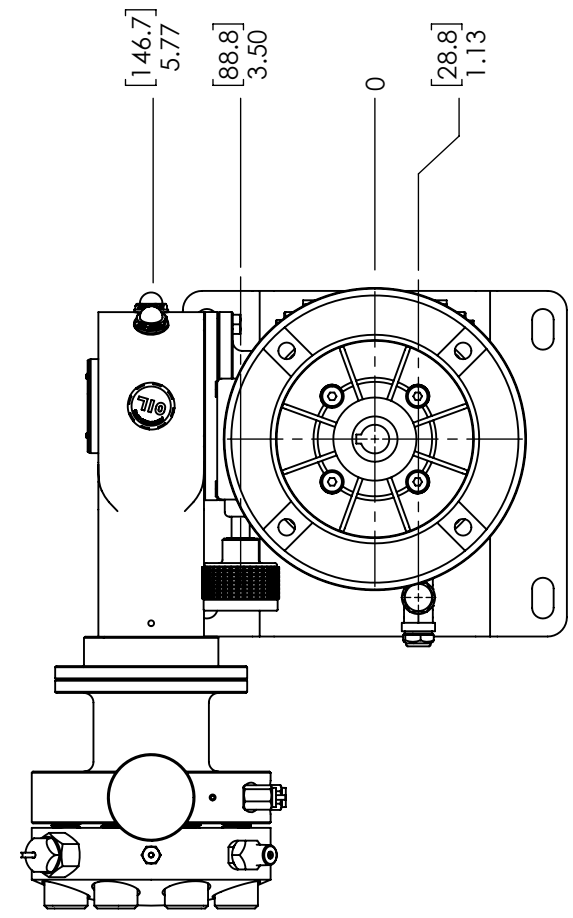
CDDHA3P2--G3TT

SIZE
B

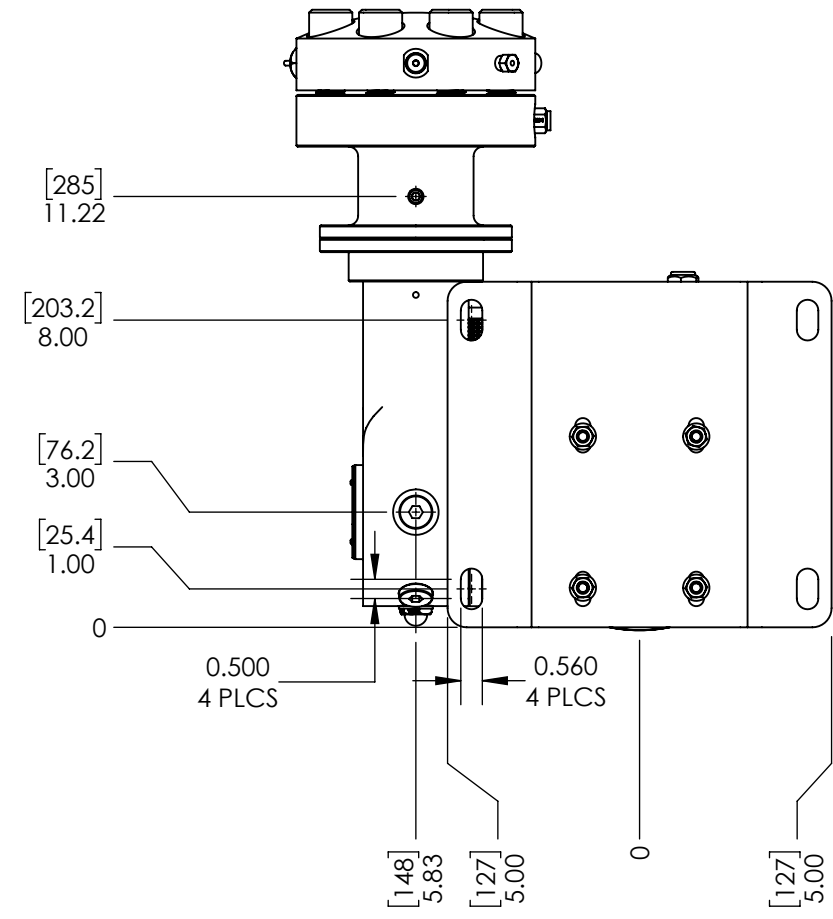
DRAWING NUMBER

SHEET 1 OF 2

8 7 6 5 4 3 2 1



TOP



BOTTOM

-- DO NOT SCALE DRAWING --
BREAK SHARP EDGES: .005 - .010



UNLESS OTHERWISE SPECIFIED:
DIMENSIONS ARE IN INCHES AND
RADII = 0.015

TOLERANCES:
ANGULAR: ± 0.5 deg
DECIMAL:
.xx ±.010 .xxx ±.005

125/ 63/

CheckPoint Pumps & Systems	
DWG. TITLE HDA PUMP ASSY HA3P2--G3TT	
REV -.07	CDDHA3P2--G3TT
SIZE B	
DRAWING NUMBER SHEET 2 OF 2	

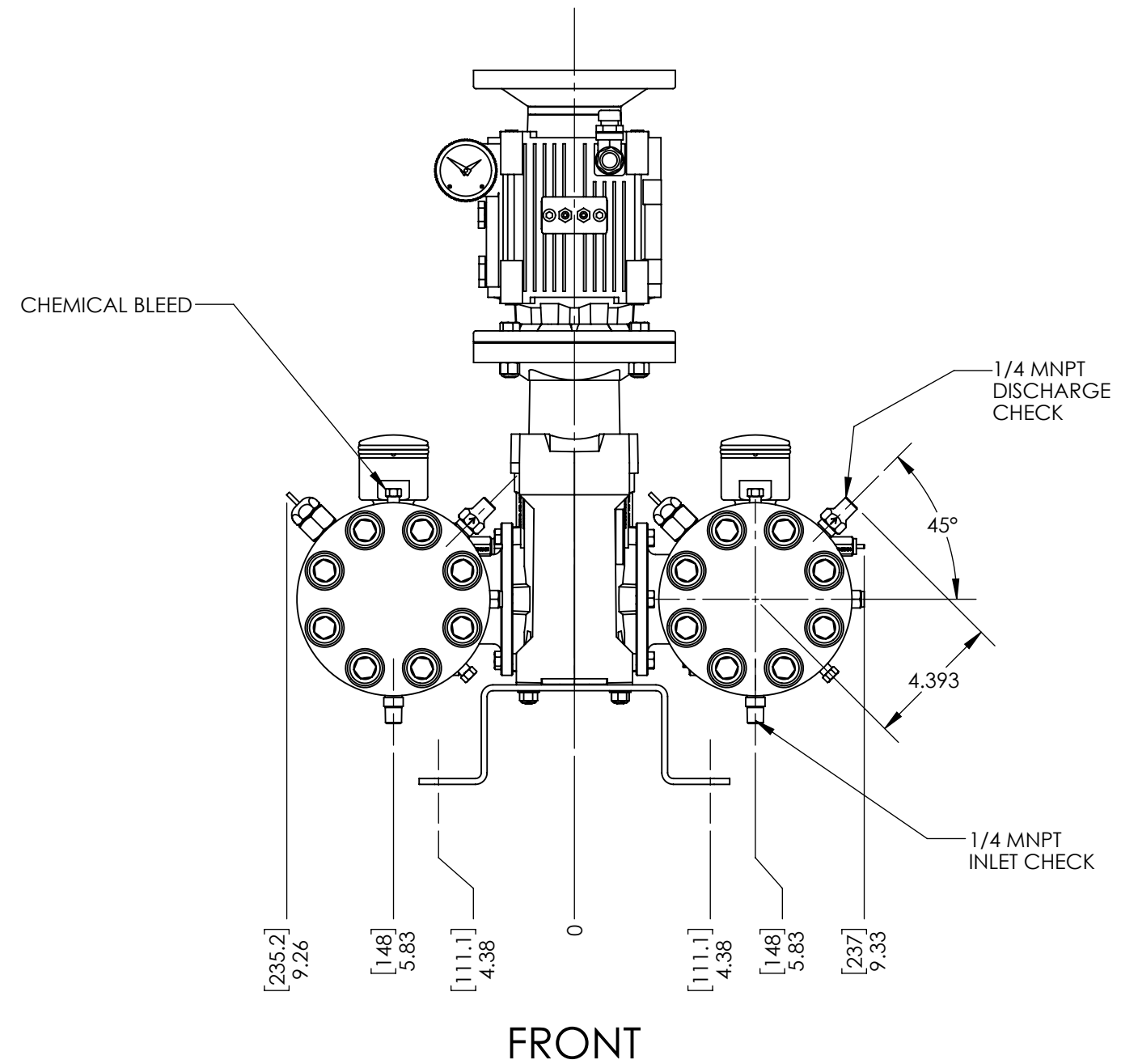
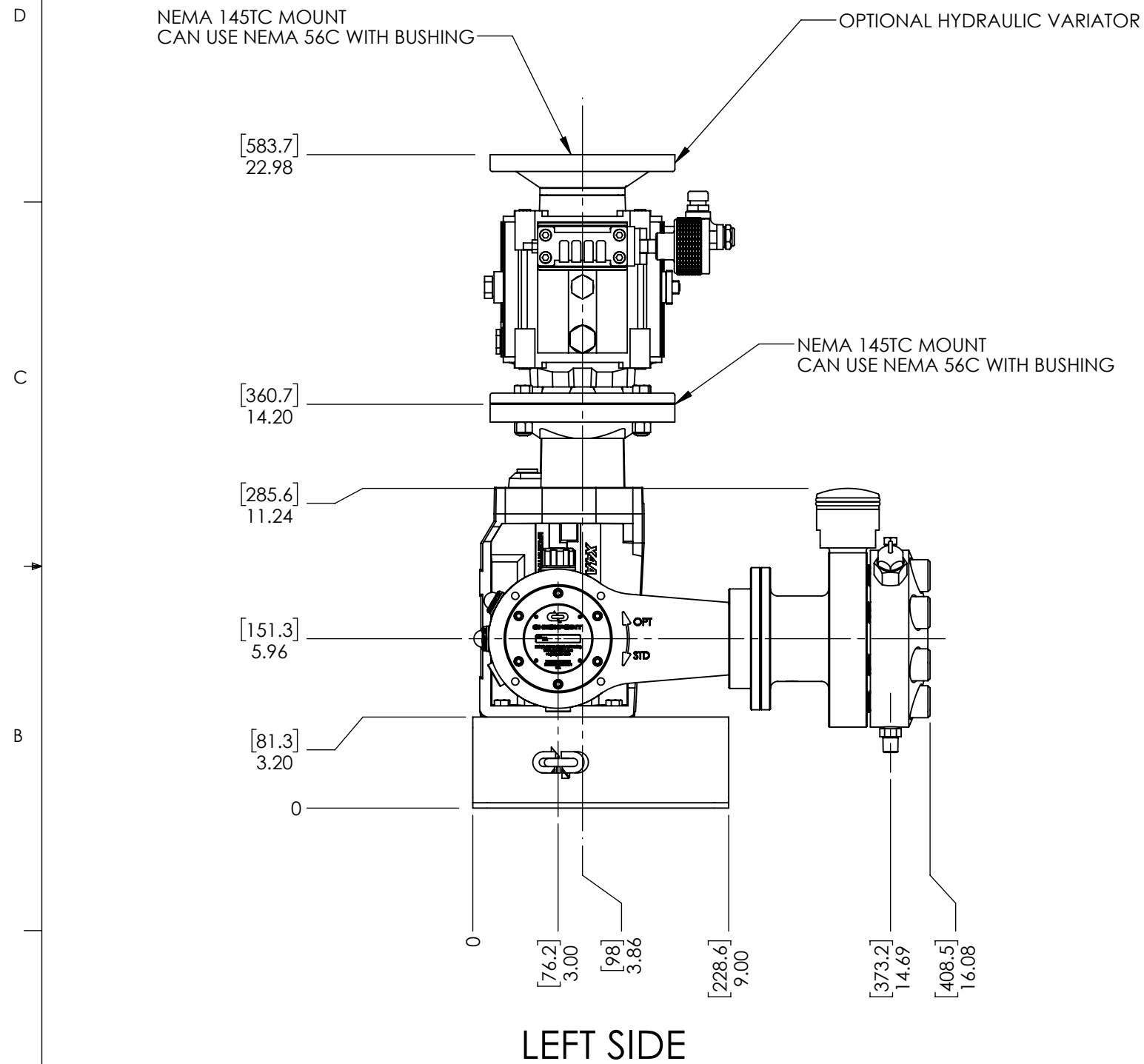
PROPRIETARY AND CONFIDENTIAL

THE INFORMATION CONTAINED HEREIN IS PROPRIETARY TO CHECKPOINT SYSTEMS AND SHALL NOT BE REPRODUCED OR DISCLOSED IN WHOLE OR IN PART OR USED FOR ANY PURPOSE EXCEPT WHEN SUCH USER POSSESSES DIRECT WRITTEN AUTHORIZATION FROM CHECKPOINT SYSTEMS

8 7 6 5 4 3 2 1

CP CERTIFIED DIMENSIONAL DRAWING

REVISIONS			
REV	DESCRIPTION	DATE	APPROVED
A	INITIAL RELEASE	03/29/2017	WRS



WEIGHT	WITH VARIATOR 123 lb / 55.8 kg
WEIGHT	NO VARIATOR 115 lb / 52.1 kg

PROPRIETARY AND CONFIDENTIAL
 THE INFORMATION CONTAINED HEREIN IS PROPRIETARY TO CHECKPOINT SYSTEMS AND SHALL NOT BE REPRODUCED OR DISCLOSED IN WHOLE OR IN PART OR USED FOR ANY PURPOSE EXCEPT WHEN SUCH USER POSSESSES DIRECT WRITTEN AUTHORIZATION FROM CHECKPOINT SYSTEMS

CHECKPOINT
PUMPS & SYSTEMS

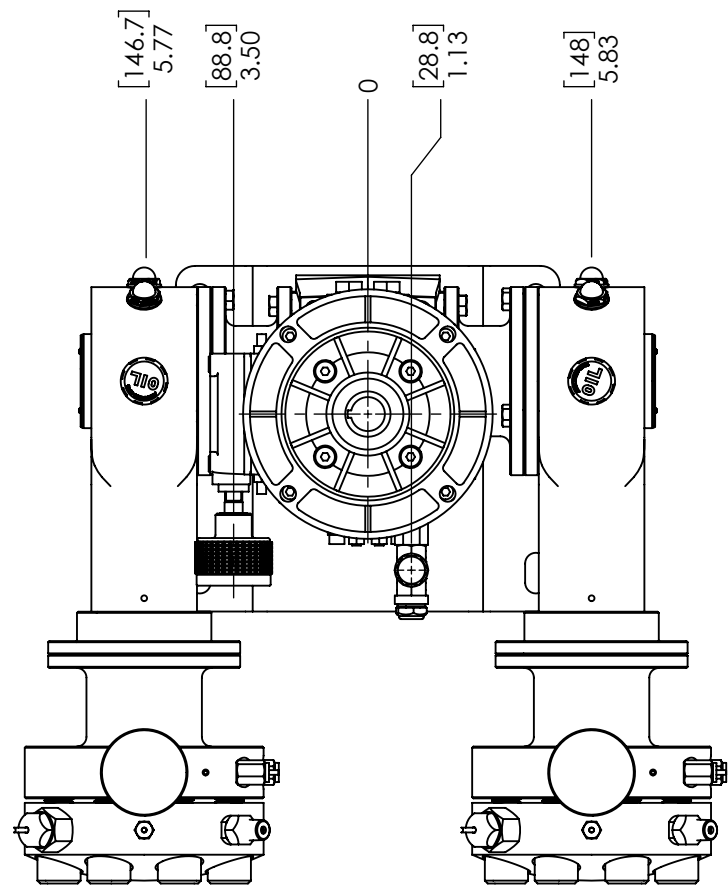
21356 MARION LANE
MANDVILLE, LA 70471 USA
TEL 504.340.0770 - FAX 888.217.6402

CheckPoint
Pumps & Systems

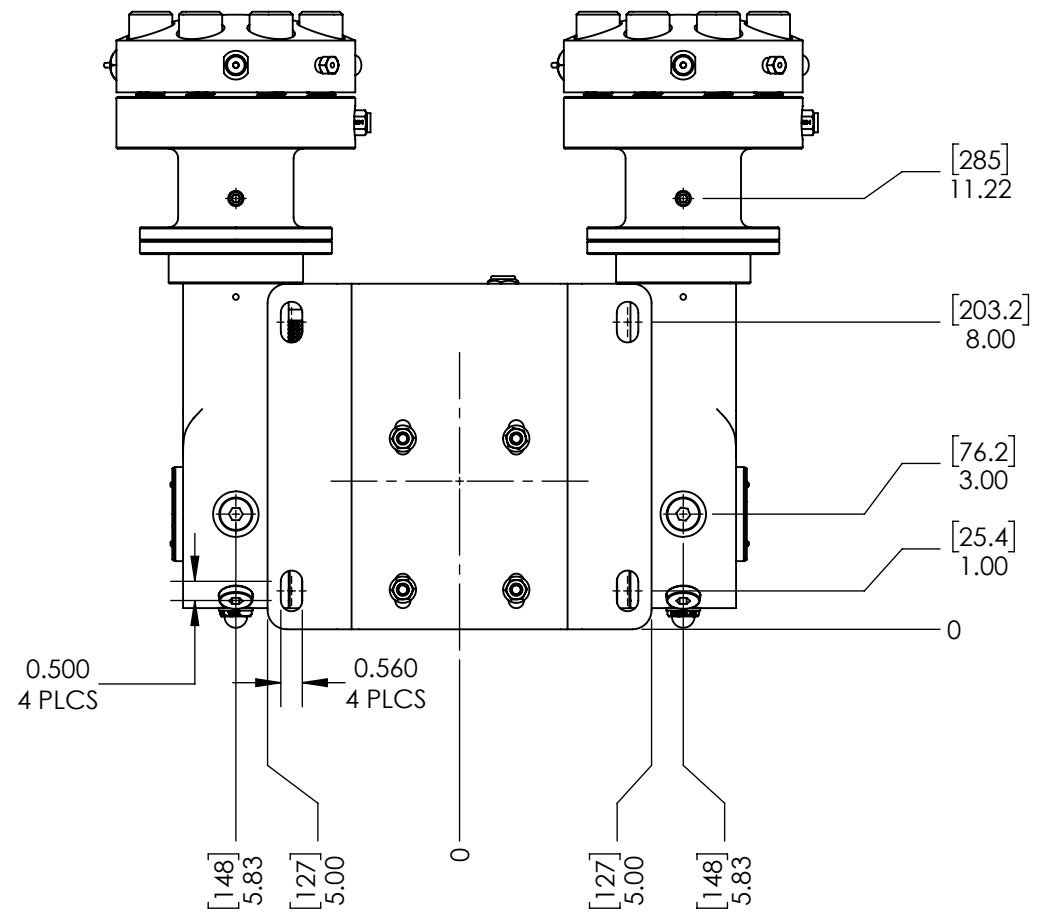
DWG. TITLE
**HDA PUMP ASSY
HA4B1--G3TTG3TT**

CDDHA4B1--G3TTG3TT SIZE **B**

DRAWING NUMBER SHEET 1 OF 2



TOP



BOTTOM

-- DO NOT SCALE DRAWING --
BREAK SHARP EDGES: .005 - .010



UNLESS OTHERWISE SPECIFIED:
DIMENSIONS ARE IN INCHES AND
RADII = 0.015

TOLERANCES:
ANGULAR: ± 0.5 deg
DECIMAL:
.xx ± 0.10 .xxx ± 0.005

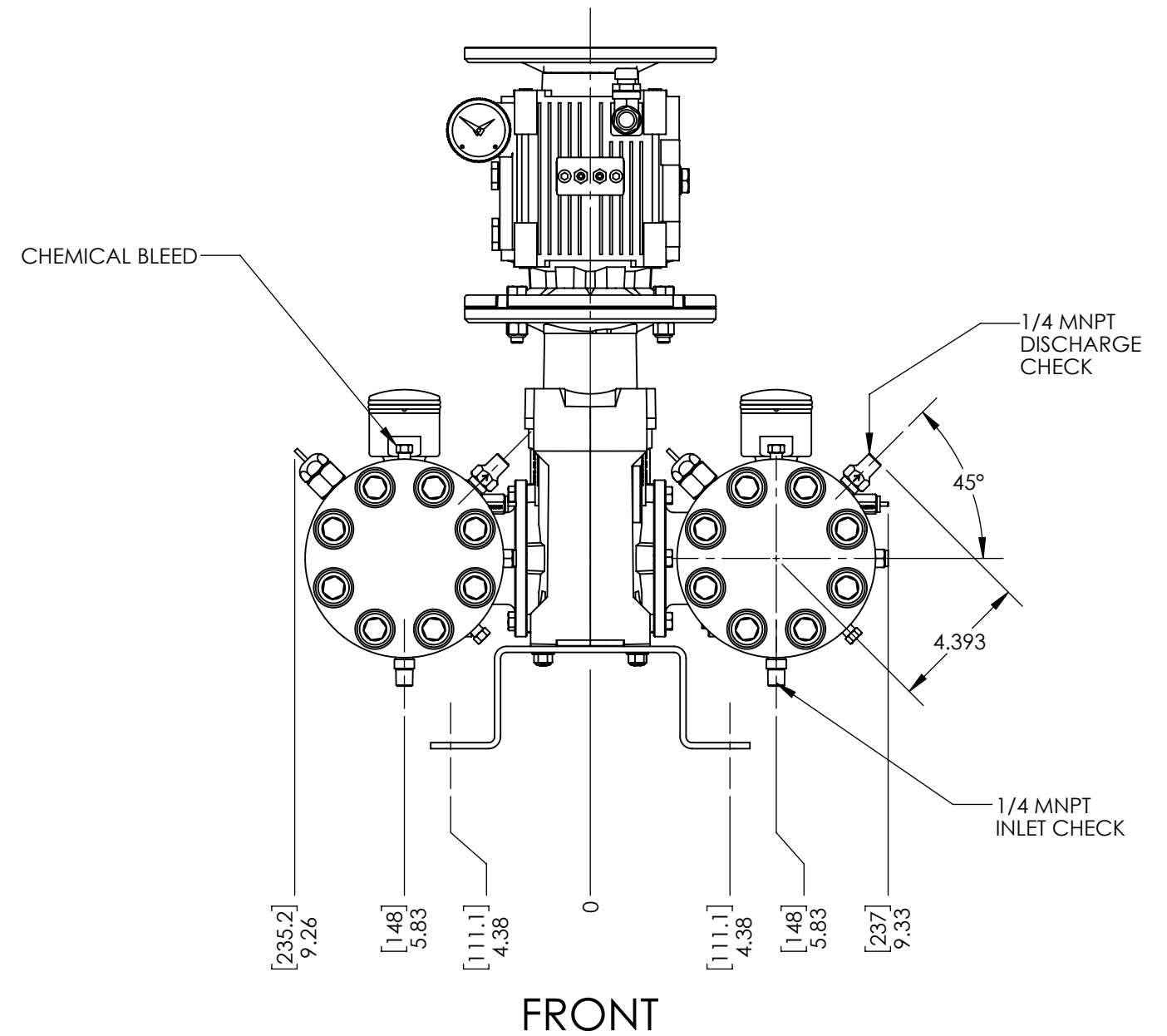
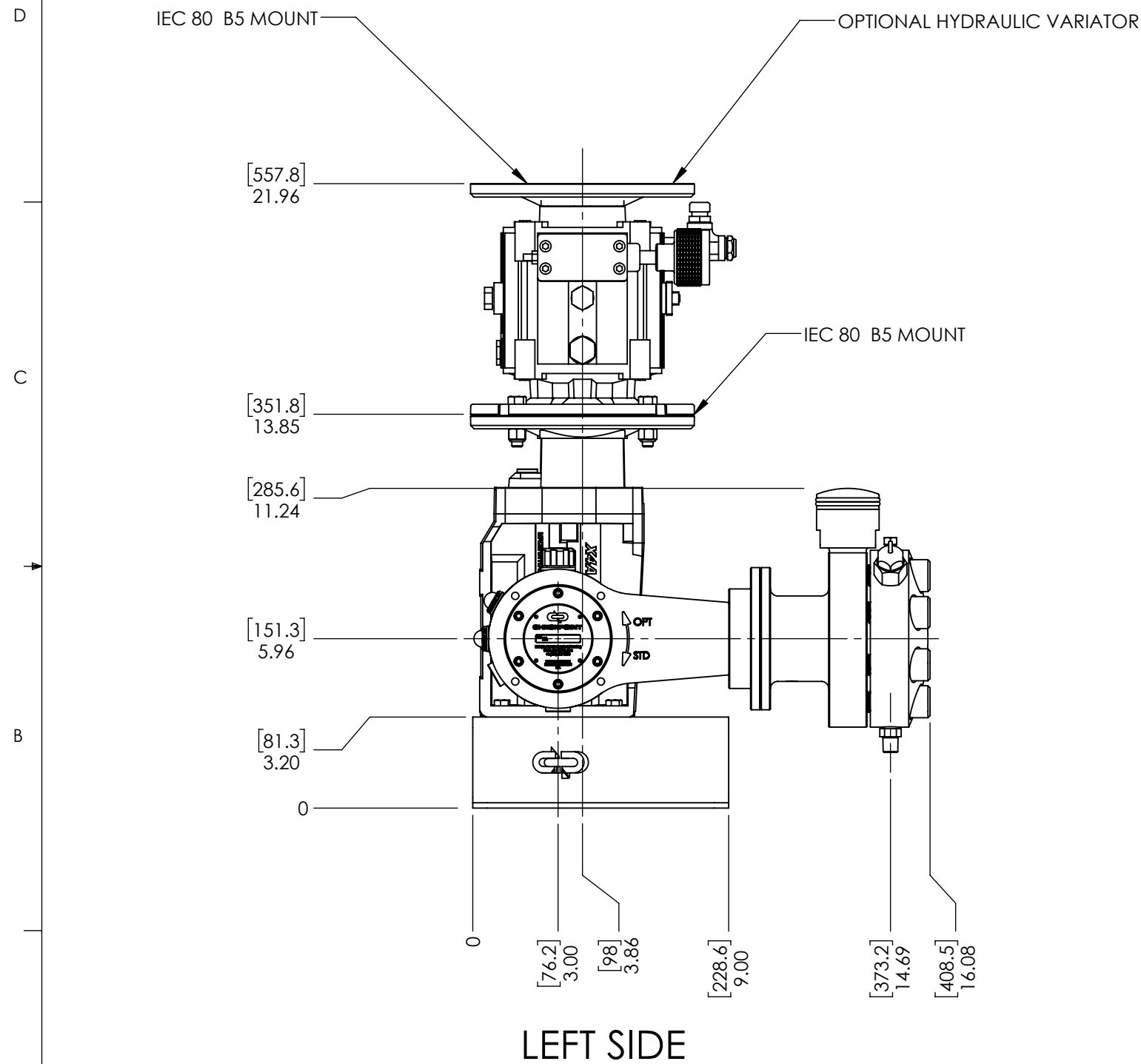
125/ 63/

CheckPoint Pumps & Systems	
DWG. TITLE HDA PUMP ASSY HA4B1--G3TTG3TT	
REV -.05	CDDHA4B1--G3TTG3TT
DRAWING NUMBER SHEET 2 OF 2	

PROPRIETARY AND CONFIDENTIAL
THE INFORMATION CONTAINED HEREIN IS PROPRIETARY TO CHECKPOINT SYSTEMS AND SHALL NOT BE REPRODUCED OR DISCLOSED IN WHOLE OR IN PART OR USED FOR ANY PURPOSE EXCEPT WHEN SUCH USER POSSESSES DIRECT WRITTEN AUTHORIZATION FROM CHECKPOINT SYSTEMS

CP CERTIFIED DIMENSIONAL DRAWING

REVISIONS			
REV	DESCRIPTION	DATE	APPROVED
A	INITIAL RELEASE	03/29/2017	WRS



WEIGHT	WITH VARIATOR 123 lb / 55.8 kg
WEIGHT	NO VARIATOR 115 lb / 52.1 kg

PROPRIETARY AND CONFIDENTIAL
 THE INFORMATION CONTAINED HEREIN IS PROPRIETARY TO CHECKPOINT SYSTEMS AND SHALL NOT BE REPRODUCED OR DISCLOSED IN WHOLE OR IN PART OR USED FOR ANY PURPOSE EXCEPT WHEN SUCH USER POSSESSES DIRECT WRITTEN AUTHORIZATION FROM CHECKPOINT SYSTEMS

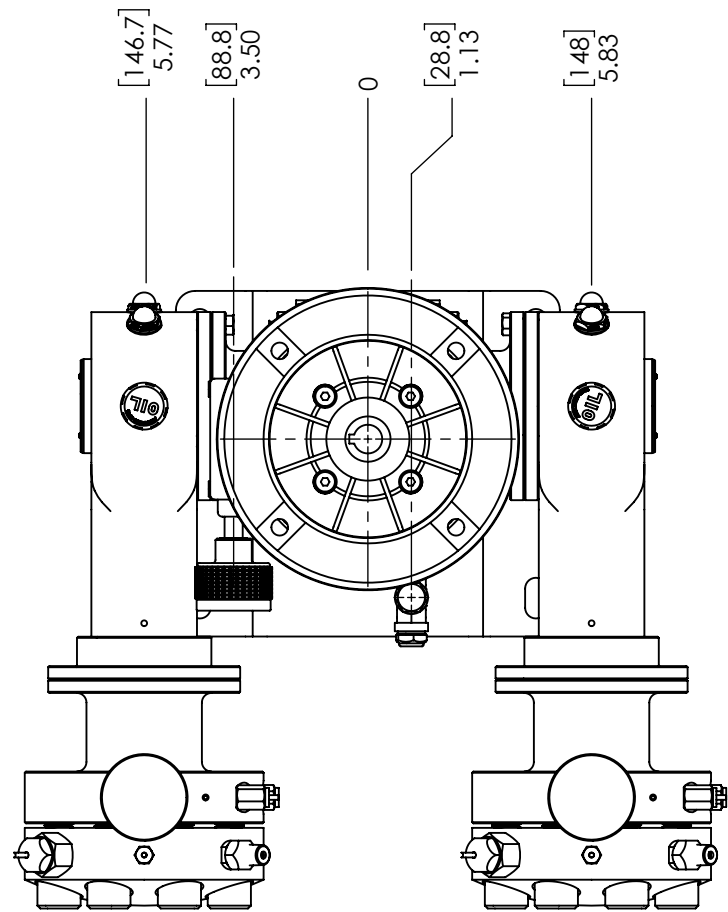
21356 MARION LANE
 MANDEVILLE, LA 70471 USA
 TEL 504.340.0770 - FAX 888.217.6402

Checkpoint
 Pumps & Systems

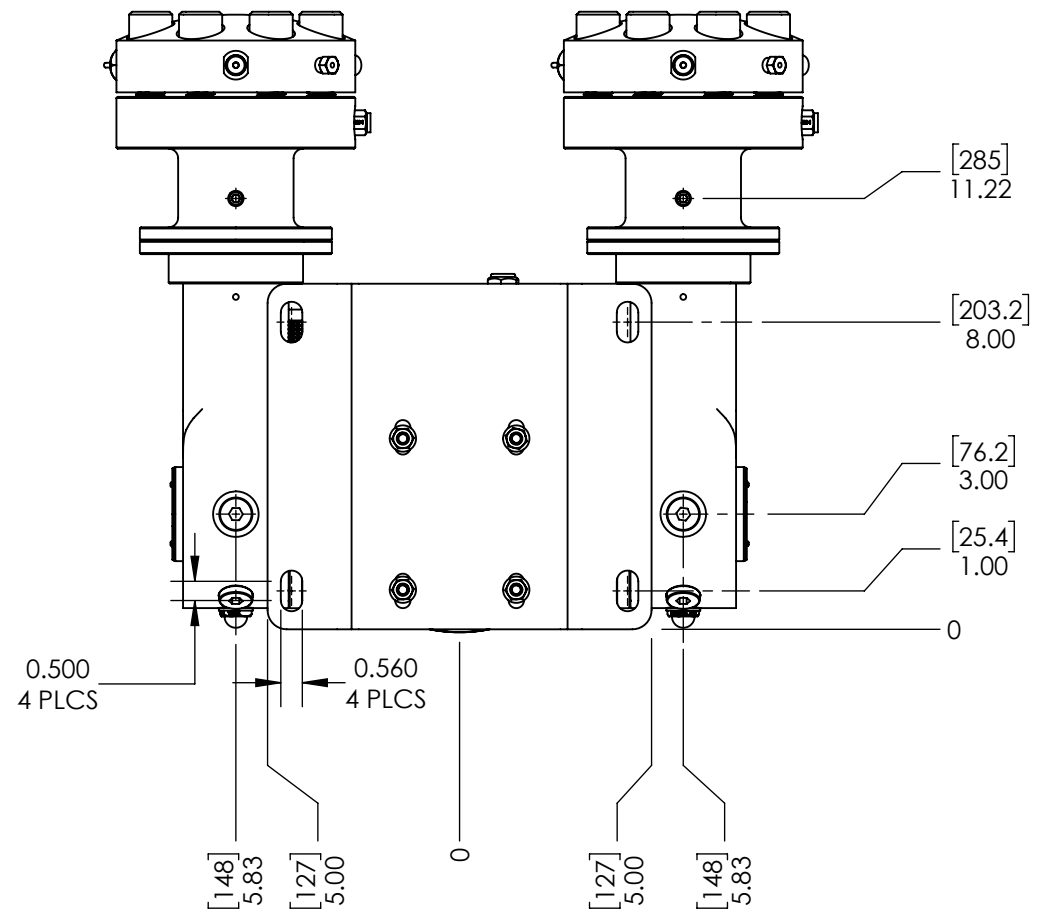
DWG. TITLE
**HDA PUMP ASSY
 HA4P2--G3TTG3TT**

CDDHA4P2--G3TTG3TT SIZE **B**

DRAWING NUMBER SHEET 1 OF 2



TOP



BOTTOM

-- DO NOT SCALE DRAWING --
BREAK SHARP EDGES: .005 - .010



UNLESS OTHERWISE SPECIFIED:
DIMENSIONS ARE IN INCHES AND
RADII = 0.015

TOLERANCES:
ANGULAR: ± 0.5 deg
DECIMAL:
.xx ±.010 .xxx ±.005

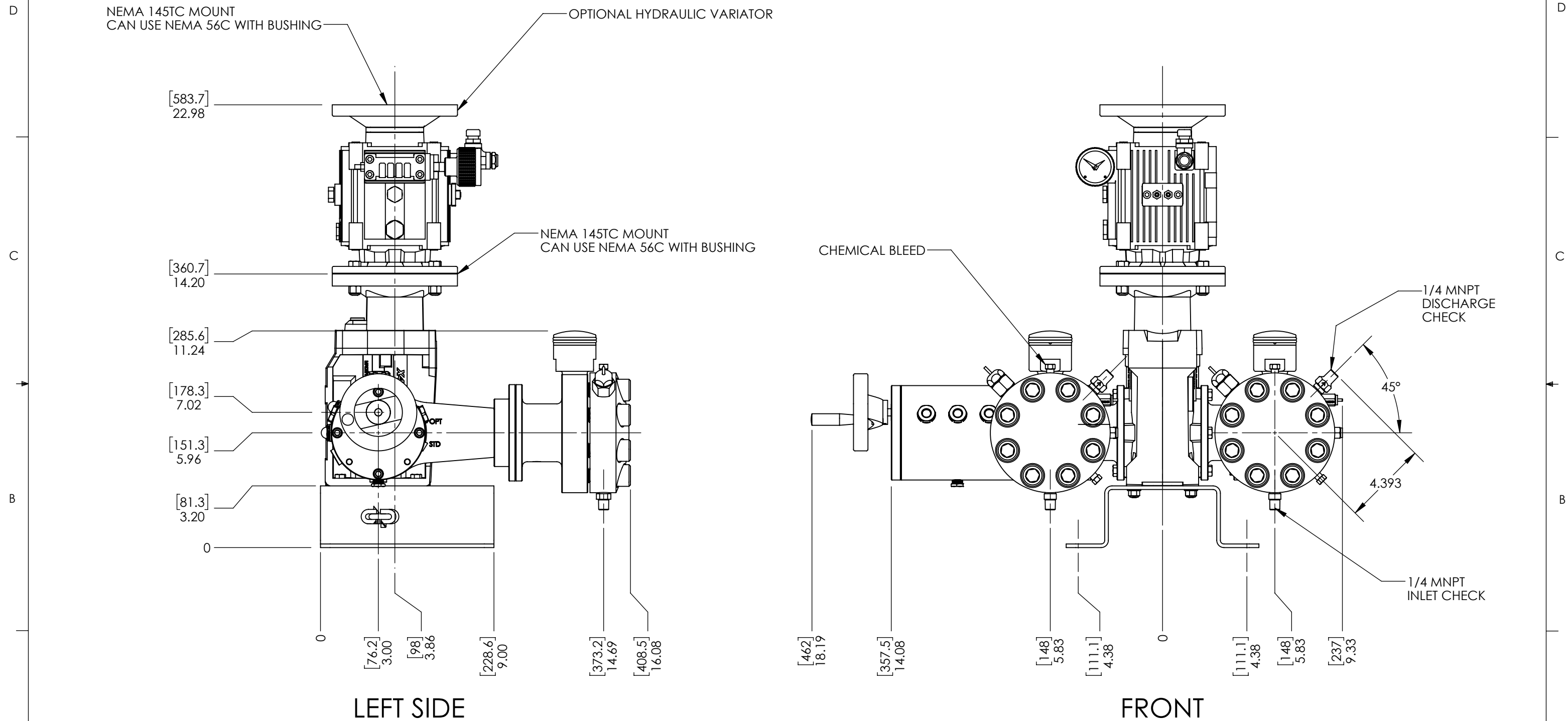
125/ 63/

CheckPoint Pumps & Systems	
DWG. TITLE HDA PUMP ASSY HA4P2--G3TTG3TT	
REV -.06	CDDHA4P2--G3TTG3TT
SIZE B	
DRAWING NUMBER	
SHEET 2 OF 2	

PROPRIETARY AND CONFIDENTIAL
THE INFORMATION CONTAINED HEREIN IS PROPRIETARY TO CHECKPOINT SYSTEMS AND SHALL NOT
BE REPRODUCED OR DISCLOSED IN WHOLE OR IN PART OR USED FOR ANY PURPOSE EXCEPT WHEN
SUCH USER POSSESSES DIRECT WRITTEN AUTHORIZATION FROM CHECKPOINT SYSTEMS

CP CERTIFIED DIMENSIONAL DRAWING

REVISIONS			
REV	DESCRIPTION	DATE	APPROVED
A	INITIAL RELEASE	03/29/2017	WRS



WEIGHT	WITH VARIATOR 133 lb / 60.3 kg
WEIGHT	NO VARIATOR 125 lb / 56.7 kg

PROPRIETARY AND CONFIDENTIAL
 THE INFORMATION CONTAINED HEREIN IS PROPRIETARY TO CHECKPOINT SYSTEMS AND SHALL NOT BE REPRODUCED OR DISCLOSED IN WHOLE OR IN PART OR USED FOR ANY PURPOSE EXCEPT WHEN SUCH USER POSSESSES DIRECT WRITTEN AUTHORIZATION FROM CHECKPOINT SYSTEMS

21356 MARION LANE
 MANDEVILLE, LA 70471 USA
 TEL 504.340.0770 - FAX 888.217.6402

CheckPoint
 Pumps & Systems

DWG. TITLE
**HDA PUMP ASSY
 HA9B1--G3TTG3TT**

CDDHA9B1--G3TTG3TT SIZE **B**

DRAWING NUMBER SHEET 1 OF 2

8 7 6 5 4 3 2 1

D

D

C

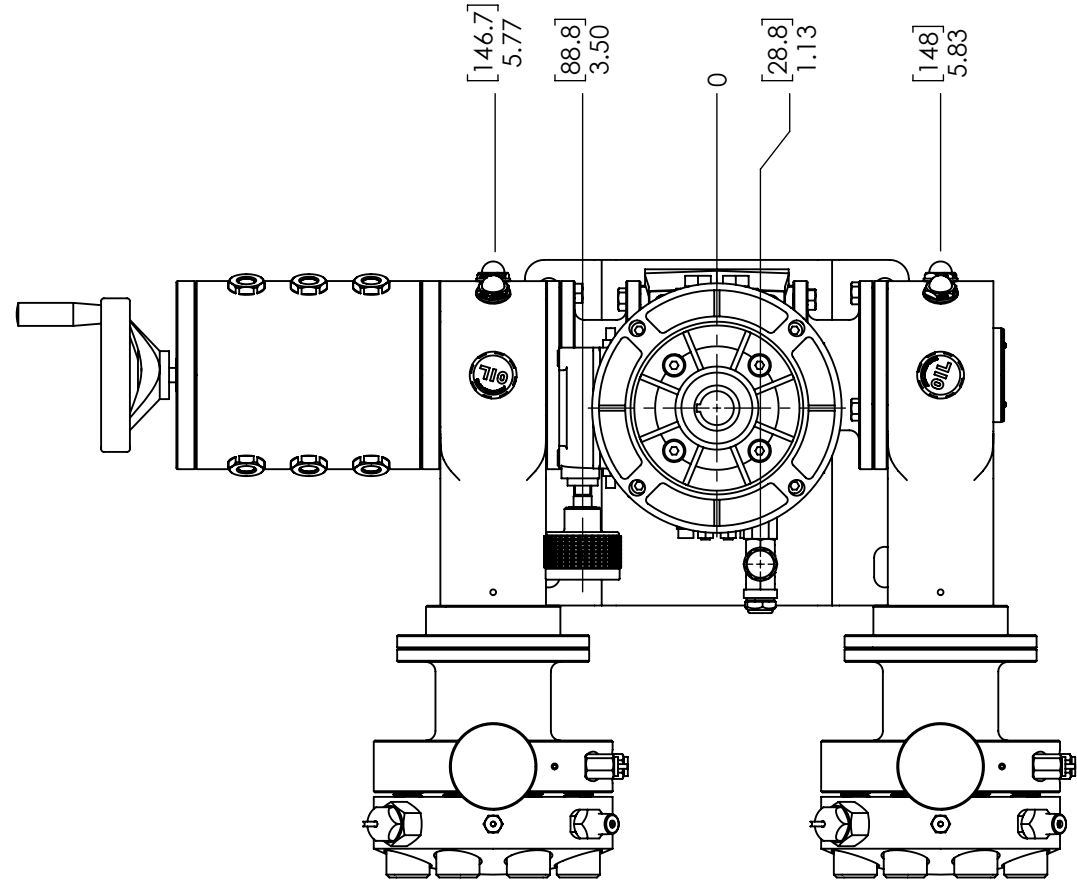
C

B

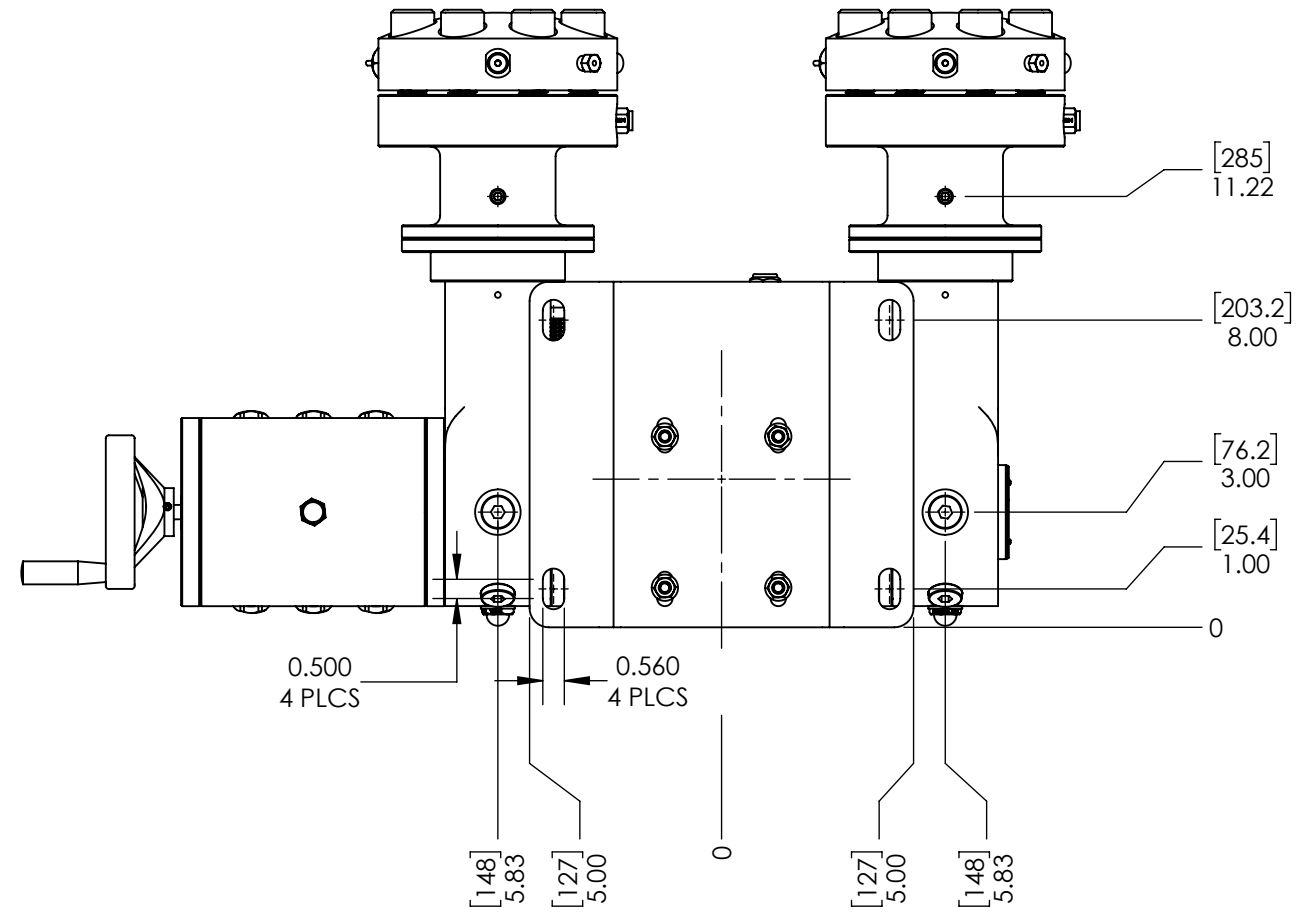
B

A

A



TOP



BOTTOM

-- DO NOT SCALE DRAWING --
BREAK SHARP EDGES: .005 - .010



UNLESS OTHERWISE SPECIFIED:
DIMENSIONS ARE IN INCHES AND
RADII = 0.015

TOLERANCES:
ANGULAR: ± 0.5 deg
DECIMAL:
.xx ±.010 .xxx ±.005

125/ 63/

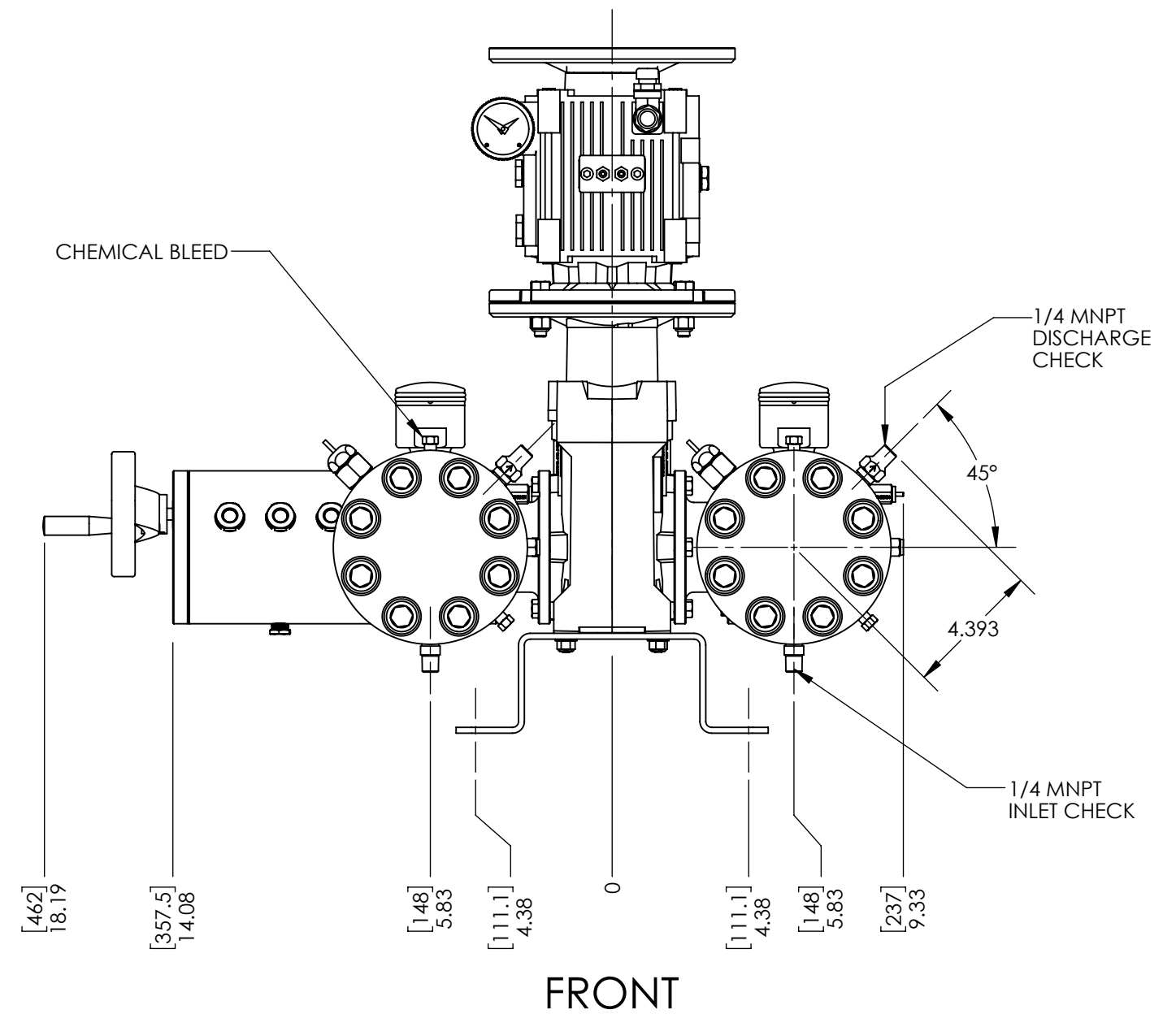
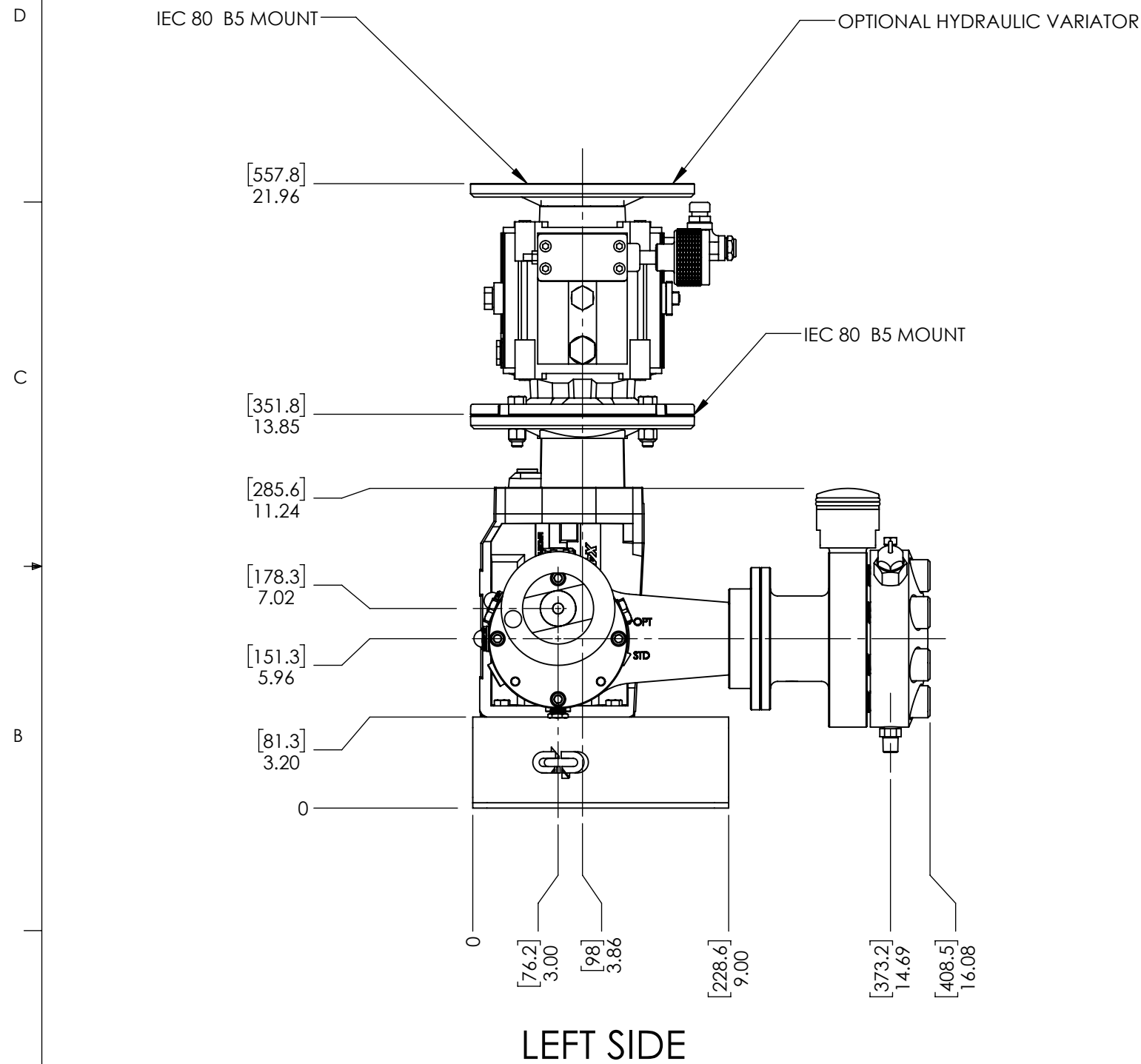
CheckPoint Pumps & Systems	
DWG. TITLE HDA PUMP ASSY HA9B1--G3TTG3TT	
REV -.04	CDDHA9B1--G3TTG3TT
SIZE B	
DRAWING NUMBER	
SHEET 2 OF 2	

PROPRIETARY AND CONFIDENTIAL
THE INFORMATION CONTAINED HEREIN IS PROPRIETARY TO CHECKPOINT SYSTEMS AND SHALL NOT BE REPRODUCED OR DISCLOSED IN WHOLE OR IN PART OR USED FOR ANY PURPOSE EXCEPT WHEN SUCH USER POSSESSES DIRECT WRITTEN AUTHORIZATION FROM CHECKPOINT SYSTEMS

8 7 6 5 4 3 2 1

CP CERTIFIED DIMENSIONAL DRAWING

REVISIONS			
REV	DESCRIPTION	DATE	APPROVED
A	INITIAL RELEASE	03/29/2017	WRS



WEIGHT	WITH VARIATOR 133 lb / 60.3 kg
WEIGHT	NO VARIATOR 125 lb / 56.7 kg

PROPRIETARY AND CONFIDENTIAL

THE INFORMATION CONTAINED HEREIN IS PROPRIETARY TO CHECKPOINT SYSTEMS AND SHALL NOT BE REPRODUCED OR DISCLOSED IN WHOLE OR IN PART OR USED FOR ANY PURPOSE EXCEPT WHEN SUCH USER POSSESSES DIRECT WRITTEN AUTHORIZATION FROM CHECKPOINT SYSTEMS

<p>21356 MARION LANE MANDVILLE, LA 70471 USA TEL 504.340.0770 -- FAX 888.217.6402</p>	<p>CheckPoint Pumps & Systems</p>	
	<p>DWG. TITLE HDA PUMP ASSY HA9P2--G3TTG3TT</p>	
<p>CDDHA9P2--G3TTG3TT</p>		<p>SIZE B</p>
<p>DRAWING NUMBER</p>		<p>SHEET 1 OF 2</p>

8 7 6 5 4 3 2 1

D

D

C

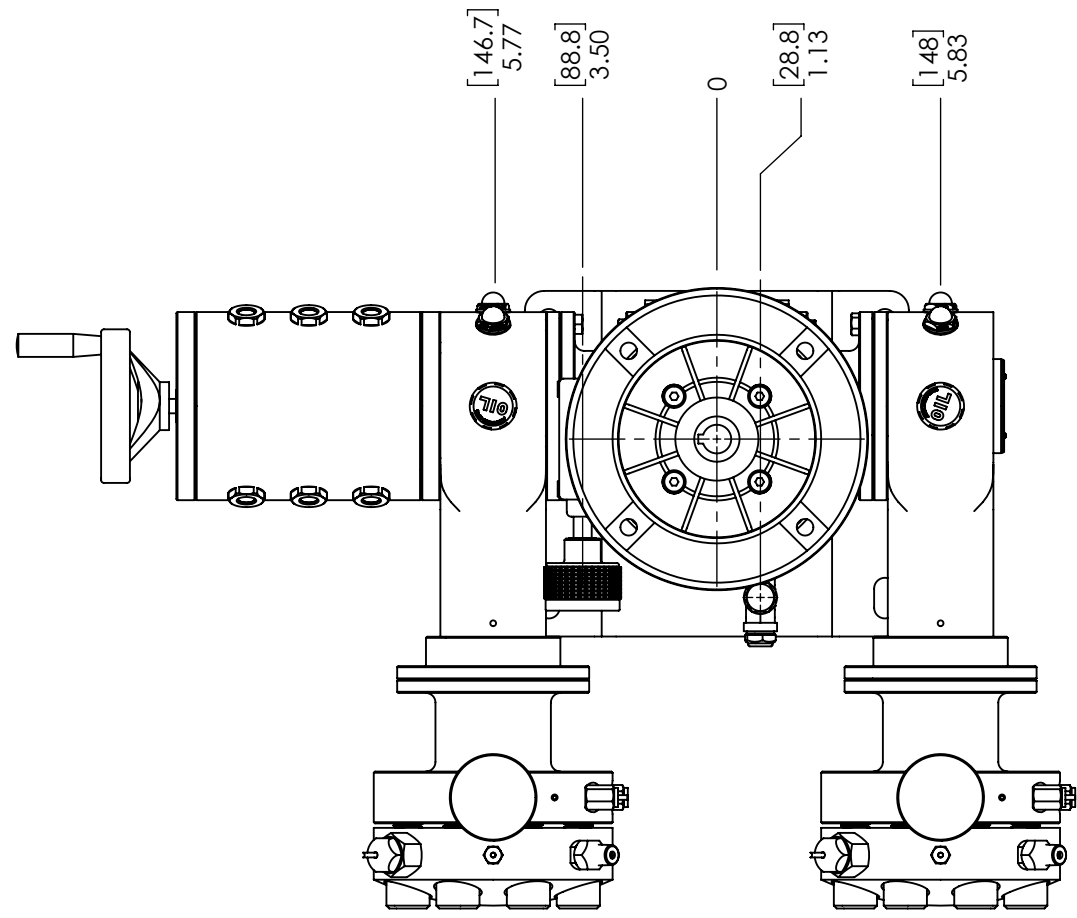
C

B

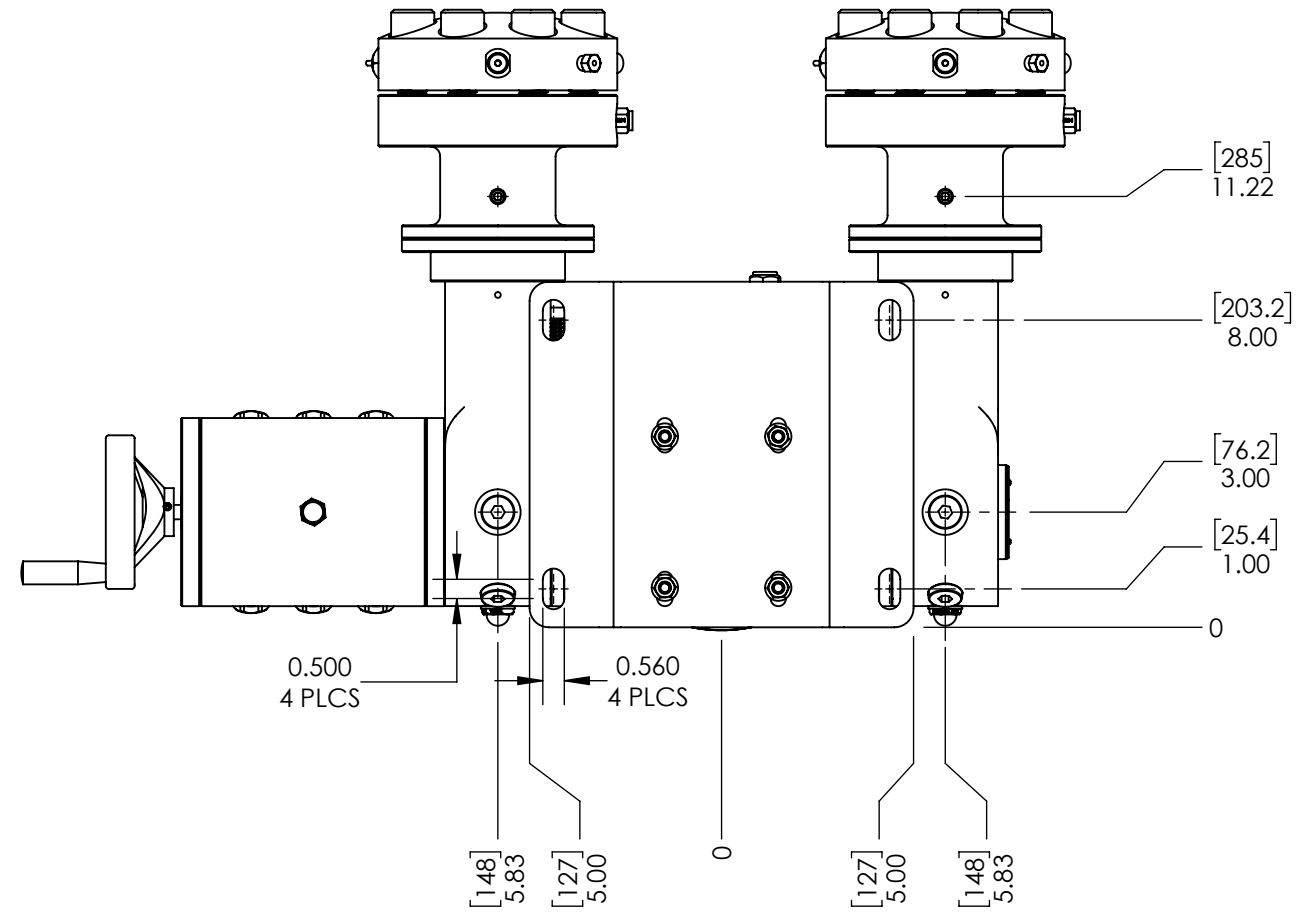
B

A

A



TOP



BOTTOM

-- DO NOT SCALE DRAWING --
BREAK SHARP EDGES: .005 - .010



UNLESS OTHERWISE SPECIFIED:
DIMENSIONS ARE IN INCHES AND
RADII = 0.015

TOLERANCES:
ANGULAR: ± 0.5 deg
DECIMAL:
.xx ±.010 .xxx ±.005

125/ 63/

CheckPoint Pumps & Systems	
DWG. TITLE HDA PUMP ASSY HA9P2--G3TTG3TT	
REV -.04	CDDHA9P2--G3TTG3TT
DRAWING NUMBER	
SHEET 2 OF 2	

PROPRIETARY AND CONFIDENTIAL
THE INFORMATION CONTAINED HEREIN IS PROPRIETARY TO CHECKPOINT SYSTEMS AND SHALL NOT BE REPRODUCED OR DISCLOSED IN WHOLE OR IN PART OR USED FOR ANY PURPOSE EXCEPT WHEN SUCH USER POSSESSES DIRECT WRITTEN AUTHORIZATION FROM CHECKPOINT SYSTEMS

8 7 6 5 4 3 2 1