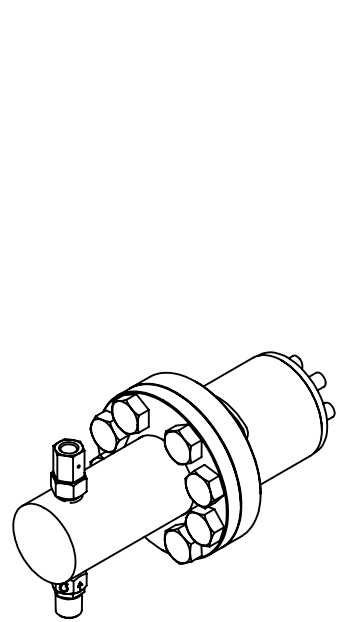
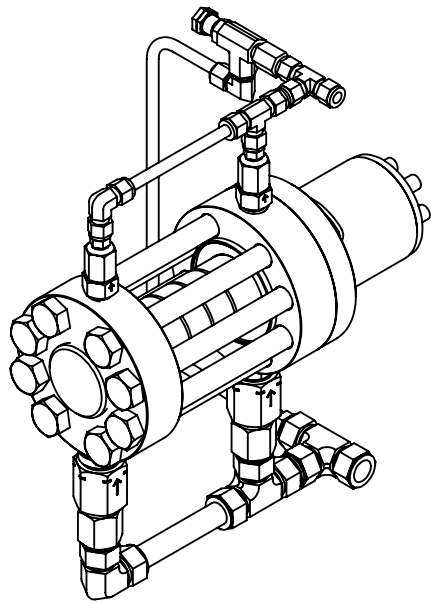




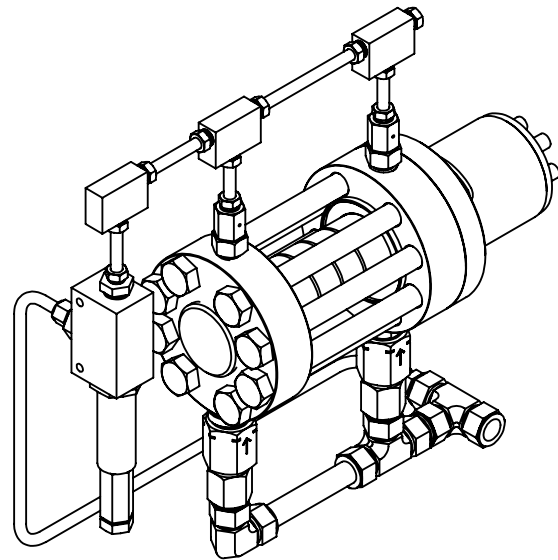
DATE	APPROVED
AUG-13-25	JF



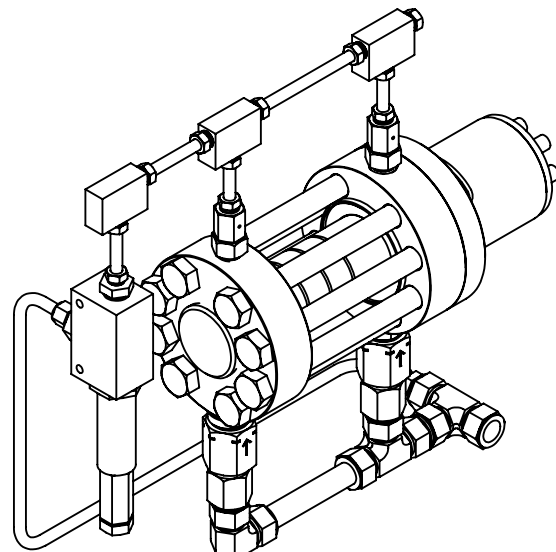
5808
SHEET 2



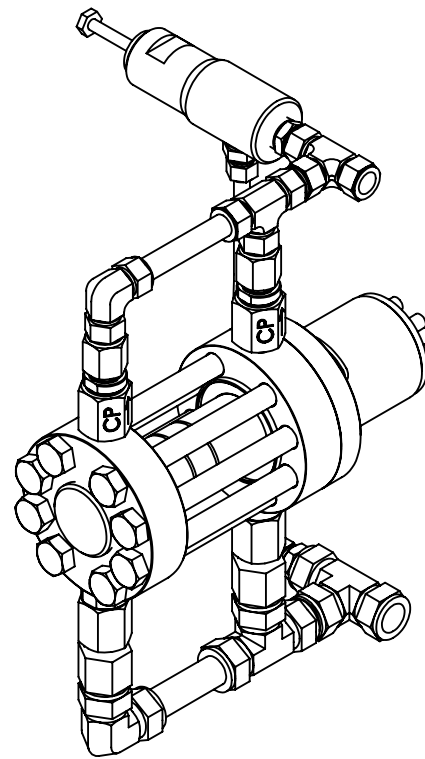
5412
SHEET 3



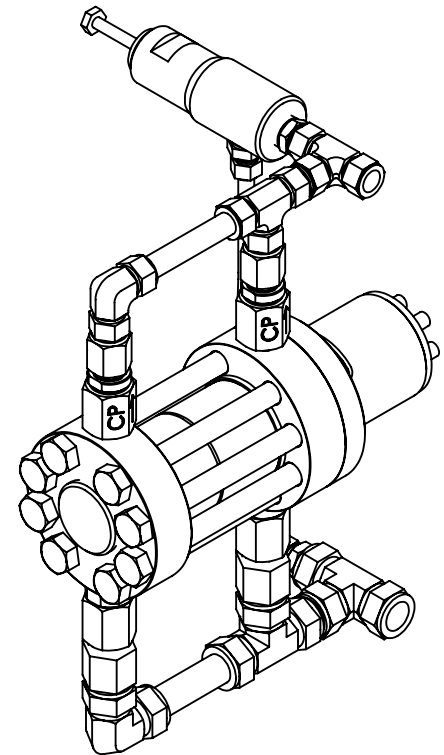
8412
SHEET 3



5816
SHEET 4



5828
SHEET 5



5840
SHEET 6

MARKETING DRAWING

CheckPoint
Pumps & Systems



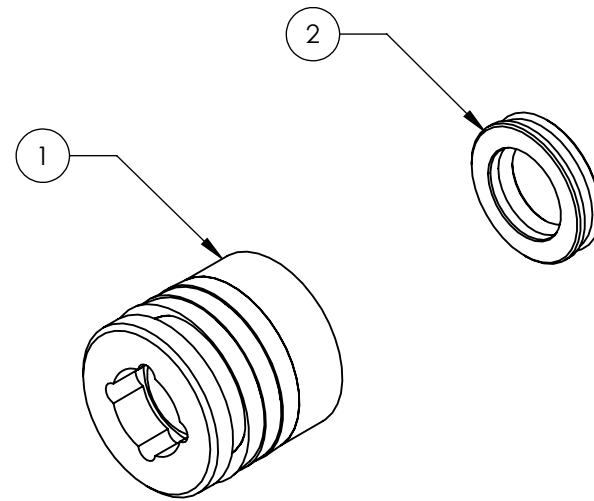
DWG. TITLE		SIZE
KITS		
54/84 WET END		B
REV	MKT-W58-WE-KITS	
000		
DRAWING NUMBER		SHEET 1 OF 6

PROPRIETARY AND CONFIDENTIAL
THE INFORMATION CONTAINED HEREIN IS PROPRIETARY TO CHECKPOINT SYSTEMS AND SHALL NOT BE REPRODUCED OR DISCLOSED IN WHOLE OR IN PART OR USED FOR ANY PURPOSE EXCEPT WHEN SUCH USER POSSESSES DIRECT WRITTEN AUTHORIZATION FROM CHECKPOINT SYSTEMS

5808 WET END KITS

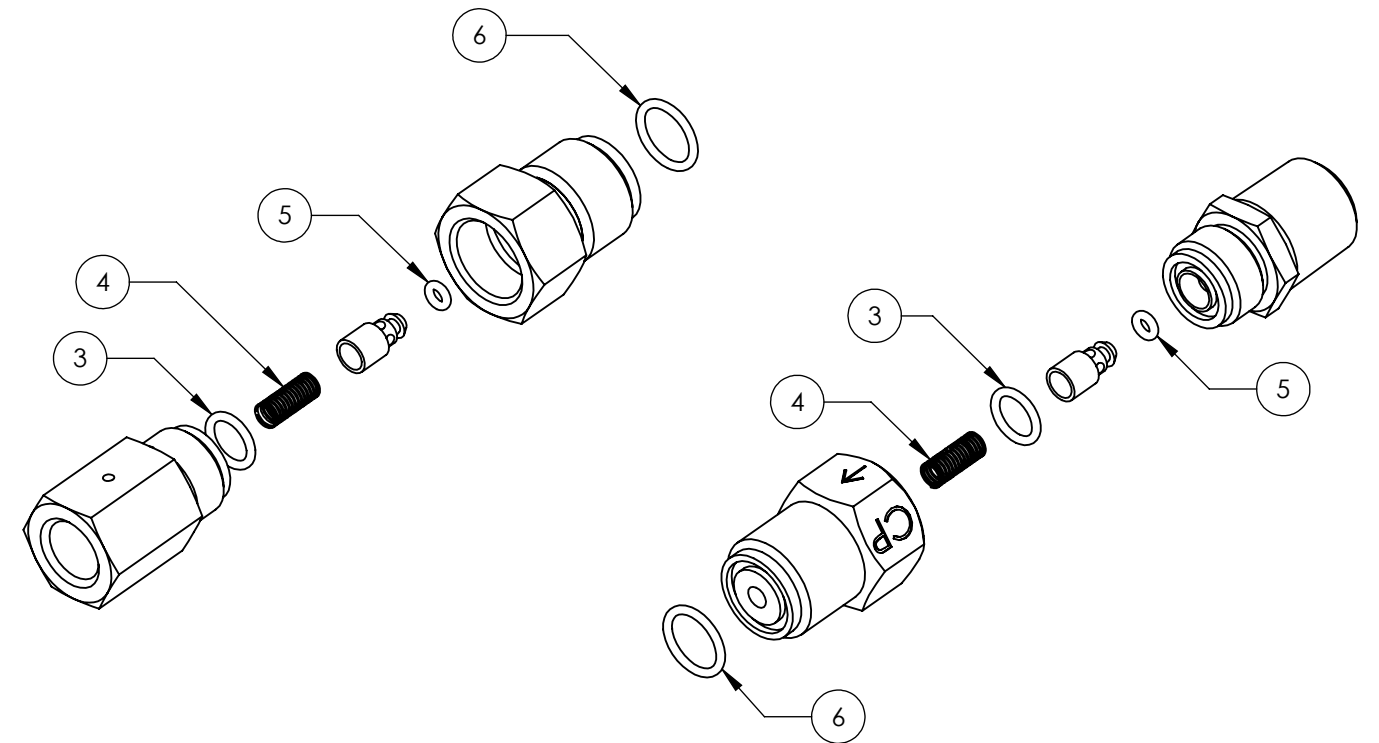
HEAD REBUILD KIT

ITEM NO.	DESCRIPTION	QTY.
1	PACKING	1
2	WIPER SEAL	1



CHECK VALVE REBUILD KIT

ITEM NO.	DESCRIPTION	QTY.
3	O-RING	2
4	SPRING	2
5	O-RING	2
6	O-RING	2



CHECK VALVE REBUILD KIT	
KIT #	DESCRIPTION
KFF04S6*301	TYPICAL 1/4" DISCHARGE CHECK VALVE (CDA06S6*101)
KFF04S6*301	TYPICAL 1/4" SUCTION CHECK VALVE (CFM08S6*101)

* - INDICATED THE SEAL MATERIAL BELOW

H - HLC
 Q - FKM
 F - FFKM

HEAD REBUILD KIT		
HEAD TYPE	KIT #	DESCRIPTION
DEDICATED	K58HRKD08NF	HEAD REBUILD KIT 1/2" INCLUDES HEAD REBUILD KIT & CHECK KIT #KFF04S6F301 (2)
DEDICATED	K58HRKD08NH	HEAD REBUILD KIT 1/2" INCLUDES HEAD REBUILD KIT & CHECK KIT #KFF04S6H301 (2)
DEDICATED	K58HRKD08NQ	HEAD REBUILD KIT 1/2" INCLUDES HEAD REBUILD KIT & CHECK KIT #KFF04S6Q301 (2)

MARKETING DRAWING

CheckPoint
 Pumps & Systems

DWG. TITLE		SIZE B
KITS 54/84 WET END		
REV	000	MKT-W58-WE-KITS
DRAWING NUMBER		
		SHEET 2 OF 6

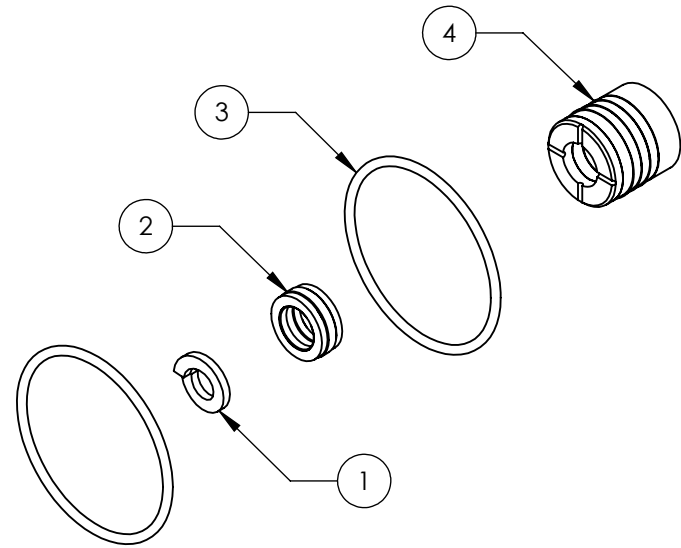


PROPRIETARY AND CONFIDENTIAL
 THE INFORMATION CONTAINED HEREIN IS PROPRIETARY TO CHECKPOINT SYSTEMS AND SHALL NOT BE REPRODUCED OR DISCLOSED IN WHOLE OR IN PART OR USED FOR ANY PURPOSE EXCEPT WHEN SUCH USER POSSESSES DIRECT WRITTEN AUTHORIZATION FROM CHECKPOINT SYSTEMS

54&84-12 WET END KITS

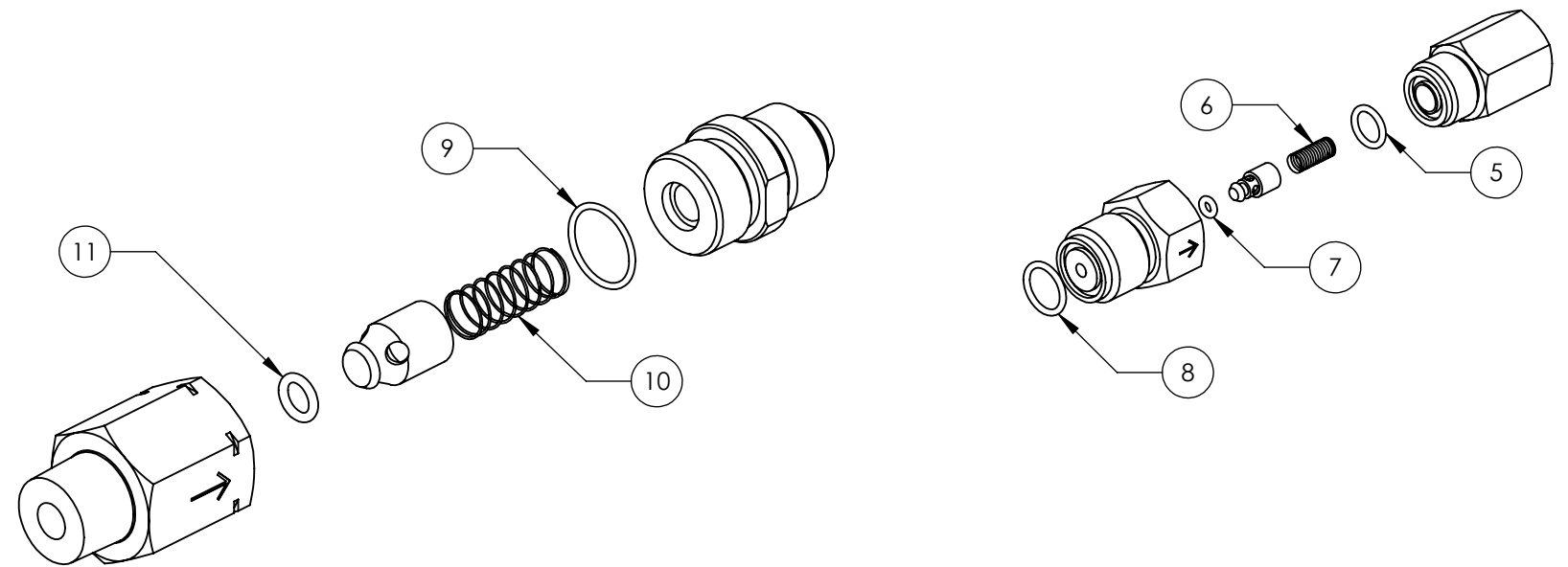
HEAD REBUILD KIT

ITEM NO.	DESCRIPTION	QTY.
1	WASHER	1
2	OPTIRING	1
3	O-RING	2
4	PACKING	1



CHECK VALVE REBUILD KIT

ITEM NO.	DESCRIPTION	QTY.
5	O-RING	2
6	SPRING	2
7	O-RING	2
8	O-RING	2
9	O-RING	2
10	SPRING	2
11	O-RING	2



NOTE: 2 KITS REQUIRED PER PUMP

CHECK VALVE REBUILD KIT	
KIT #	DESCRIPTION
KFF04S6*301	TYPICAL 1/4" DISCHARGE CHECK VALVE (CDF04S6*101)
KFM12S6*201	TYPICAL 3/4" SUCTION CHECK VALVE (CSM12S6*101-010)

* - INDICATED THE SEAL MATERIAL BELOW

H - HLC
Q - FKM
F - FFKM

HEAD REBUILD KIT		
HEAD TYPE	KIT #	DESCRIPTION
MODULAR	K58HRKM12AF	HEAD REBUILD KIT 3/4" INCLUDES HEAD REBUILD KIT & CHECK KIT #KFM12S6F201 (2) & KFF04S6F301 (2)
MODULAR	K58HRKM12AH	HEAD REBUILD KIT 3/4" INCLUDES HEAD REBUILD KIT & CHECK KIT #KFM12S6H201 (2) & KFF04S6H301 (2)
MODULAR	K58HRKM12AQ	HEAD REBUILD KIT 3/4" INCLUDES HEAD REBUILD KIT & CHECK KIT #KFM12S6Q201 (2) & KFF04S6Q301 (2)

MARKETING DRAWING

CheckPoint
Pumps & Systems

DWG. TITLE

**KITS
54/84 WET END**

REV

000

MKT-W58-WE-KITS

SIZE

B



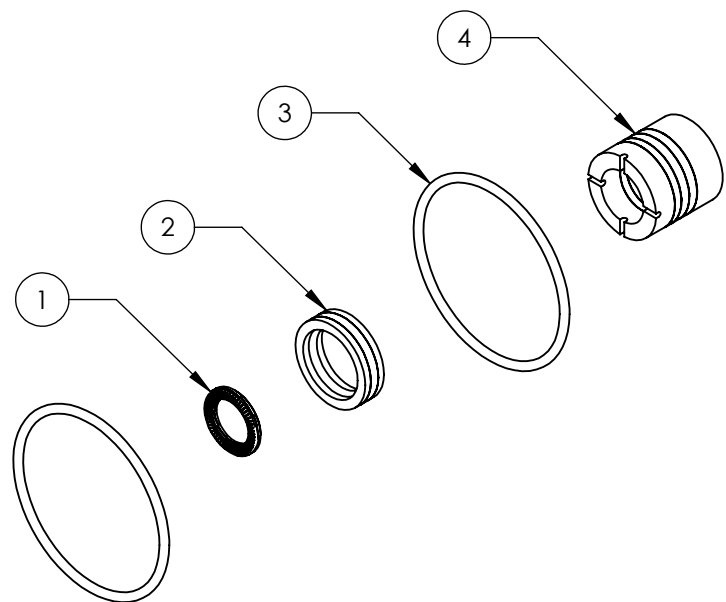
DRAWING NUMBER

SHEET 3 OF 6

54&84-16 WET END KITS

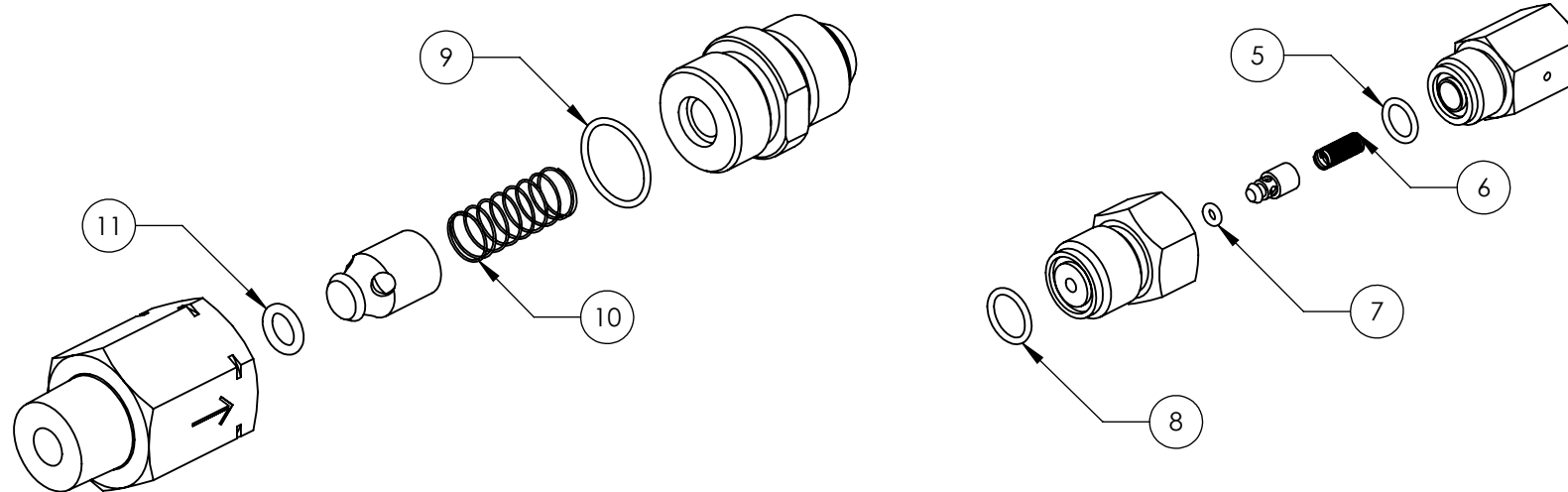
HEAD REBUILD KIT

ITEM NO.	DESCRIPTION	QTY.
1	LOCK WASHER	1
2	OPTIRING	1
3	O-RING	2
4	PACKING	1



CHECK VALVE REBUILD KIT

ITEM NO.	DESCRIPTION	QTY.
5	O-RING	2
6	SPRING	2
7	O-RING	2
8	O-RING	2
9	O-RING	2
10	SPRING	2
11	O-RING	2



NOTE: 2 KITS REQUIRED PER PUMP

CHECK VALVE REBUILD KIT

KIT #	DESCRIPTION
KFF04S6*301	TYPICAL 1/4" DISCHARGE CHECK VALVE DIS (CDF04S6*101)
KFM12S6*201	TYPICAL 3/4" SUCTION CHECK VALVE SUC (CSM12S6101-010)

* - INDICATED THE SEAL MATERIAL BELOW

H - HLC
Q - FKM
F - FFKM

HEAD REBUILD KIT

HEAD TYPE	KIT #	DESCRIPTION
MODULAR	K58HRKM16AF	HEAD REBUILD KIT 3/4" INCLUDES HEAD REBUILD KIT & CHECK KIT #KFM12S6F201 (2) & KFF04S6F301 (2)
MODULAR	K58HRKM16AH	HEAD REBUILD KIT 3/4" INCLUDES HEAD REBUILD KIT & CHECK KIT #KFM12S6H201 (2) & KFF04S6H301 (2)
MODULAR	K58HRKM16AQ	HEAD REBUILD KIT 3/4" INCLUDES HEAD REBUILD KIT & CHECK KIT #KFM12S6Q201 (2) & KFF04S6Q301 (2)

MARKETING DRAWING

CheckPoint
Pumps & Systems

DWG. TITLE
KITS
54/84 WET END

REV
000 MKT-W58-WE-KITS

SIZE
B



DRAWING NUMBER

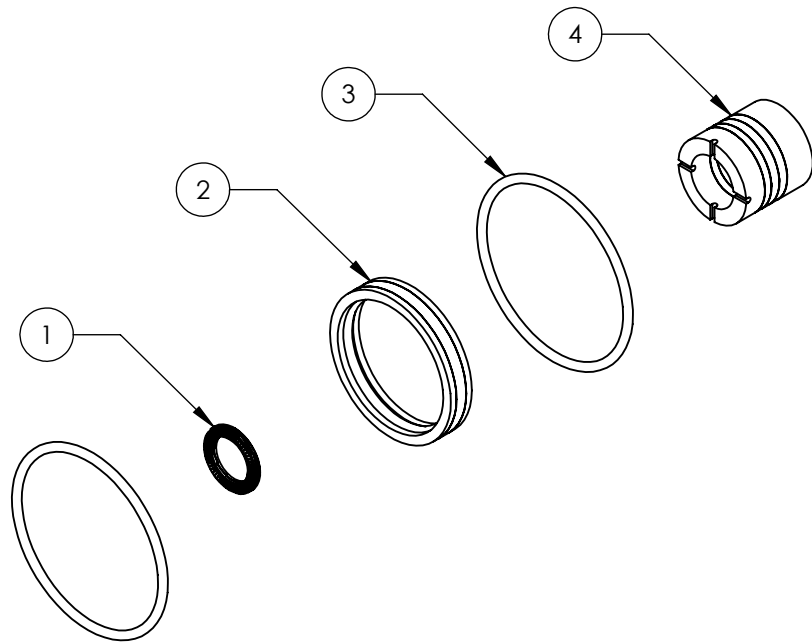
SHEET 4 OF 6

PROPRIETARY AND CONFIDENTIAL
THE INFORMATION CONTAINED HEREIN IS PROPRIETARY TO CHECKPOINT SYSTEMS AND SHALL NOT BE REPRODUCED OR DISCLOSED IN WHOLE OR IN PART OR USED FOR ANY PURPOSE EXCEPT WHEN SUCH USER POSSESSES DIRECT WRITTEN AUTHORIZATION FROM CHECKPOINT SYSTEMS

5828 WET END KITS

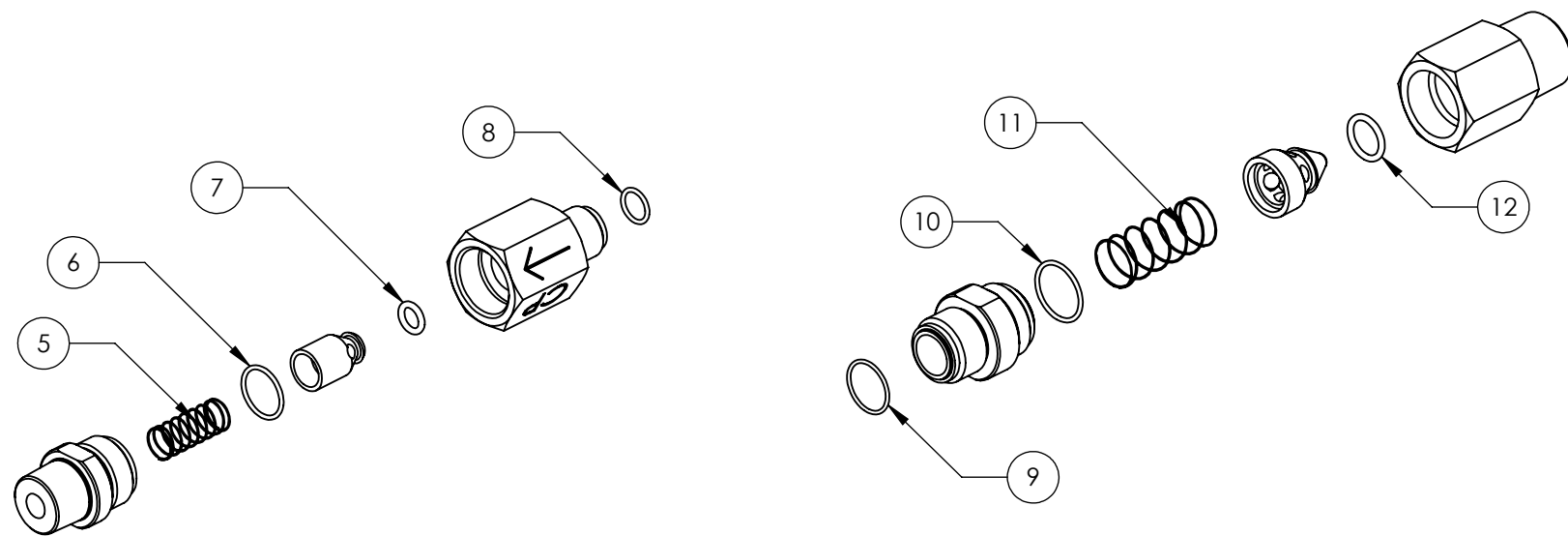
HEAD REBUILD KIT

ITEM NO.	DESCRIPTION	QTY.
1	LOCK WASHER	1
2	OPTIRING	1
3	O-RING	2
4	PACKING	1



CHECK VALVE REBUILD KIT

ITEM NO.	DESCRIPTION	QTY.
5	SPRING	2
6	O-RING	2
7	O-RING	2
8	O-RING	2
9	O-RING	2
10	O-RING	2
11	SPRING	2
12	O-RING	2



NOTE: 2 KITS REQUIRED PER PUMP

CHECK VALVE REBUILD KIT	
KIT #	DESCRIPTION
KFM12S6*201	TYPICAL 3/4" DISCHARGE CHECK VALVE (CDM12S6*101)
KFM16S6*105	TYPICAL 1" SUCTION CHECK VALVE (CSM16S6*101)

* - INDICATED THE SEAL MATERIAL BELOW

H - HLC
Q - FKM
F - FFKM

HEAD REBUILD KIT		
HEAD TYPE	KIT #	DESCRIPTION
MODULAR	K58HRKM28AF	HEAD REBUILD KIT 1 3/4" INCLUDES HEAD REBUILD KIT & CHECK KIT #KFM12S6F201 (2) & KFF04S6F301 (2)
MODULAR	K58HRKM28AH	HEAD REBUILD KIT 1 3/4" INCLUDES HEAD REBUILD KIT & CHECK KIT #KFM12S6H201 (2) & KFF04S6H301 (2)
MODULAR	K58HRKM28AQ	HEAD REBUILD KIT 1 3/4" INCLUDES HEAD REBUILD KIT & CHECK KIT #KFM12S6Q201 (2) & KFF04S6Q301 (2)

MARKETING DRAWING

CheckPoint
Pumps & Systems



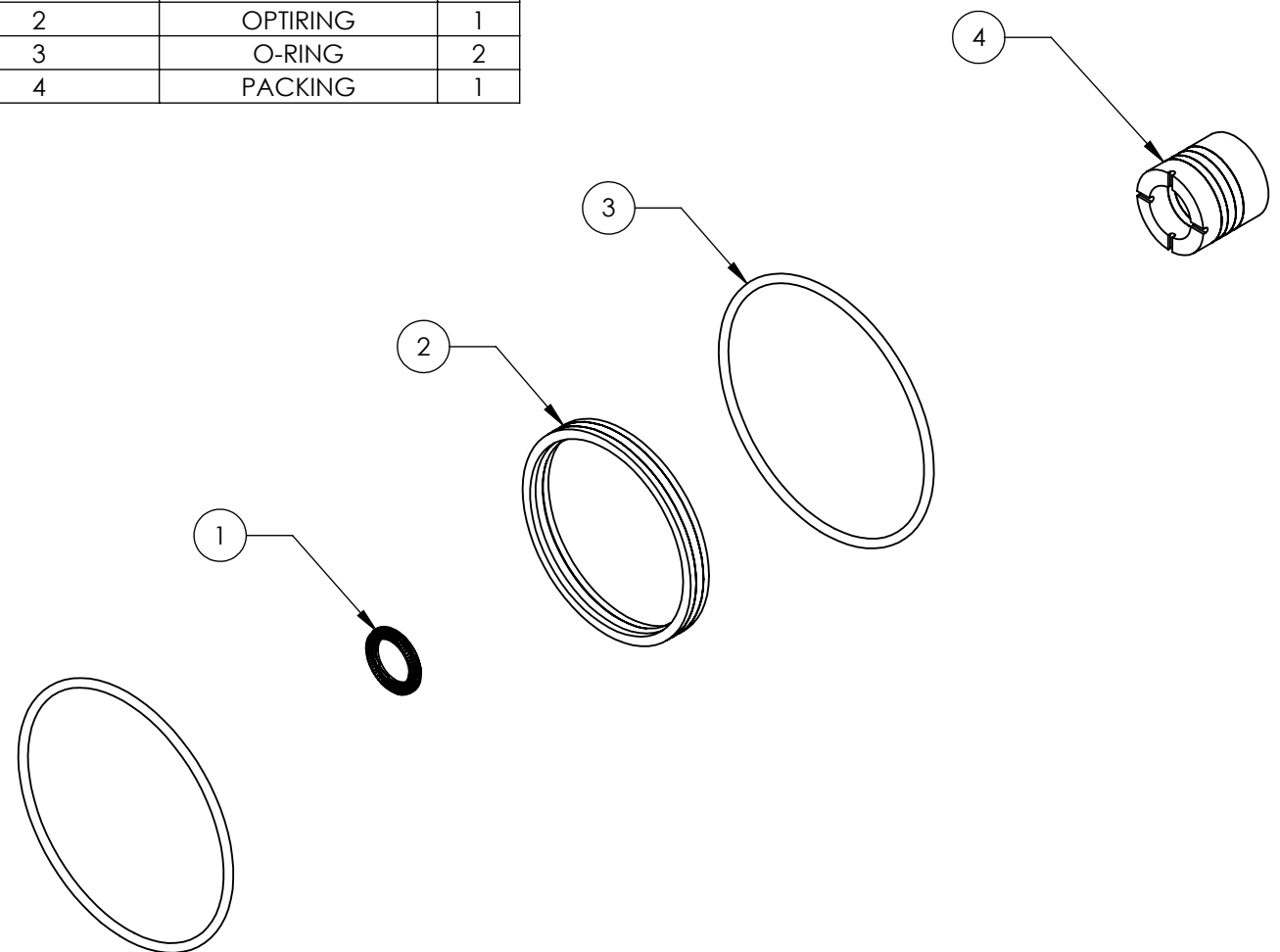
DWG. TITLE		SIZE B
KITS 54/84 WET END		
REV 000	MKT-W58-WE-KITS	
DRAWING NUMBER		SHEET 5 OF 6

PROPRIETARY AND CONFIDENTIAL
THE INFORMATION CONTAINED HEREIN IS PROPRIETARY TO CHECKPOINT SYSTEMS AND SHALL NOT BE REPRODUCED OR DISCLOSED IN WHOLE OR IN PART OR USED FOR ANY PURPOSE EXCEPT WHEN SUCH USER POSSESSES DIRECT WRITTEN AUTHORIZATION FROM CHECKPOINT SYSTEMS

5840 WET END KITS

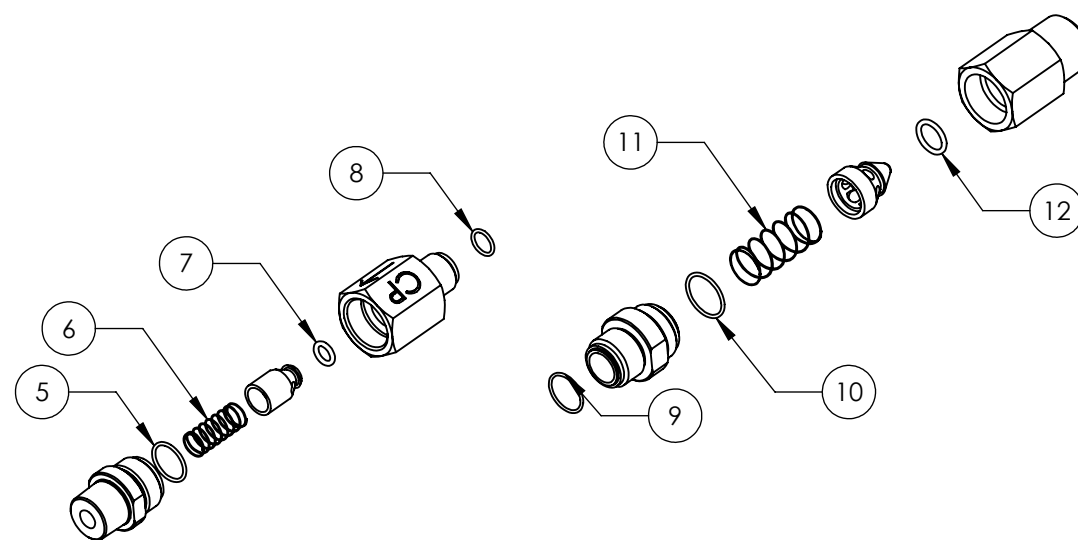
HEAD REBUILD KIT

ITEM NO.	DESCRIPTION	QTY.
1	LOCK WASHER	1
2	OPTIRING	1
3	O-RING	2
4	PACKING	1



CHECK VALVE REBUILD KIT

ITEM NO.	DESCRIPTION	QTY.
5	O-RING	2
6	SPRING	2
7	O-RING	2
8	O-RING	2
9	O-RING	2
10	O-RING	2
11	SPRING	2
12	O-RING	2



NOTE: 2 KITS REQUIRED PER PUMP

CHECK VALVE REBUILD KIT	
KIT #	DESCRIPTION
KFM12S6*201	TYPICAL 3/4" DISCHARGE CHECK VALVE (CDM12S6*101)
KFM16S6*105	TYPICAL 1" SUCTION CHECK VALVE (CSM16S6*101)

* - INDICATED THE SEAL MATERIAL BELOW

H - HLC
Q - FKM
F - FFKM

HEAD REBUILD KIT		
HEAD TYPE	KIT #	DESCRIPTION
MODULAR	K58HRKM40AF	HEAD REBUILD KIT 2 1/2" INCLUDES HEAD REBUILD KIT & CHECK KIT #KFM12S6F201 (2) & KFF04S6F301 (2)
MODULAR	K58HRKM40AH	HEAD REBUILD KIT 2 1/2" INCLUDES HEAD REBUILD KIT & CHECK KIT #KFM12S6H201 (2) & KFF04S6H301 (2)
MODULAR	K58HRKM40AQ	HEAD REBUILD KIT 2 1/2" INCLUDES HEAD REBUILD KIT & CHECK KIT #KFM12S6Q201 (2) & KFF04S6Q301 (2)

MARKETING DRAWING

CheckPoint
Pumps & Systems

DWG. TITLE		SIZE B
KITS 54/84 WET END		
REV	MKT-W58-WE-KITS	DRAWING NUMBER
000		
		SHEET 6 OF 6



PROPRIETARY AND CONFIDENTIAL
THE INFORMATION CONTAINED HEREIN IS PROPRIETARY TO CHECKPOINT SYSTEMS AND SHALL NOT BE REPRODUCED OR DISCLOSED IN WHOLE OR IN PART OR USED FOR ANY PURPOSE EXCEPT WHEN SUCH USER POSSESSES DIRECT WRITTEN AUTHORIZATION FROM CHECKPOINT SYSTEMS