

8

7

6

5

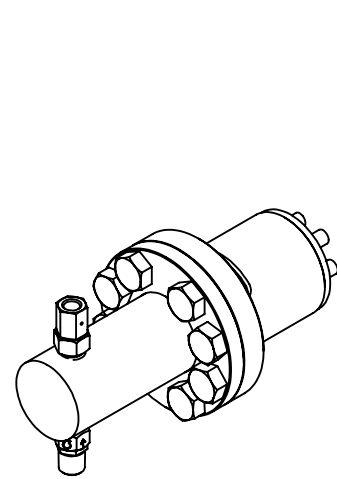
4

3

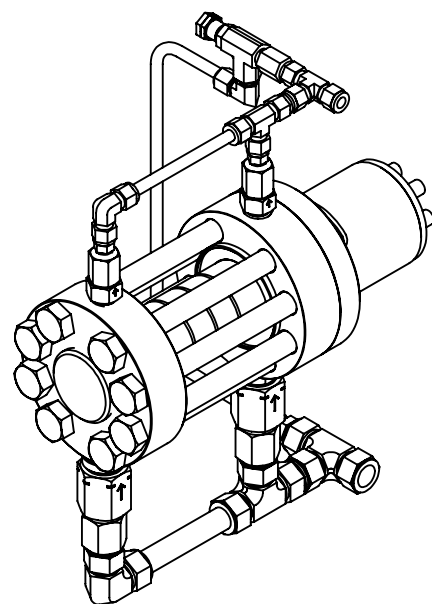
2

1

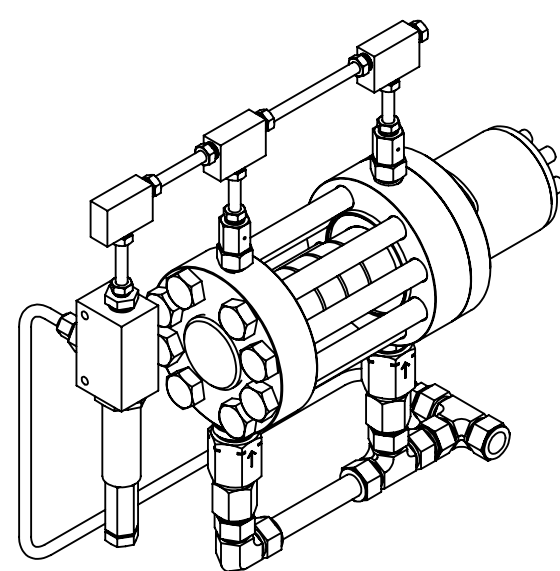
DATE	APPROVED
AUG-13-25	JF



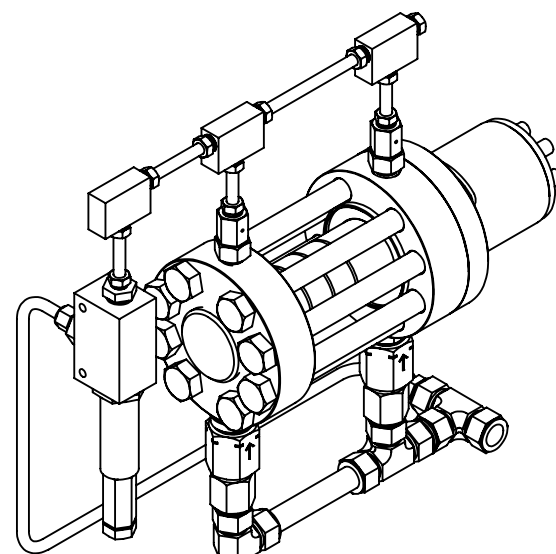
5808  
SHEET 2



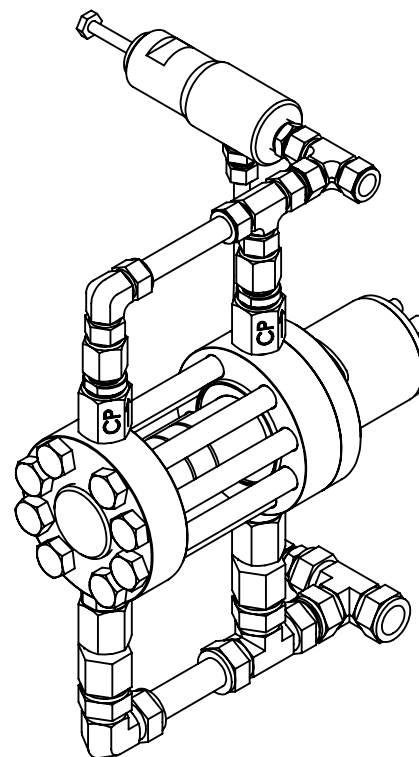
5412  
SHEET 3



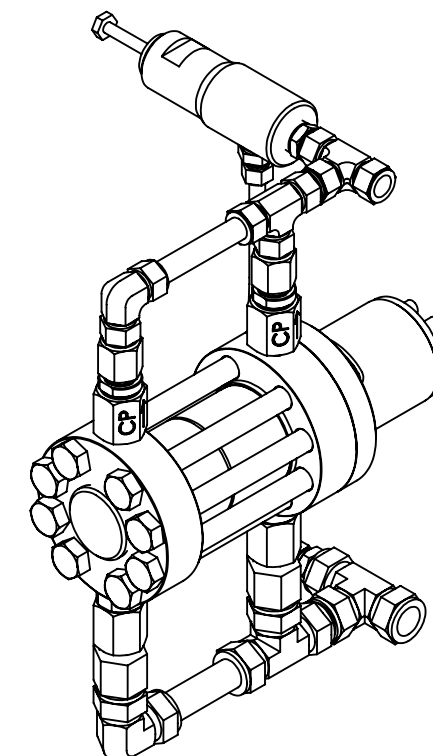
8412  
SHEET 3



5816  
SHEET 4



5828  
SHEET 5



5840  
SHEET 6

MARKETING DRAWING

**CheckPoint**  
Pumps & Systems



DWG. TITLE		SIZE
KITS 54/84 WET END		
REV	MKT-W58-WE-KITS	SHEET 1 OF 6
000		
DRAWING NUMBER		

PROPRIETARY AND CONFIDENTIAL  
THE INFORMATION CONTAINED HEREIN IS PROPRIETARY TO CHECKPOINT SYSTEMS AND SHALL NOT BE REPRODUCED OR DISCLOSED IN WHOLE OR IN PART OR USED FOR ANY PURPOSE EXCEPT WHEN SUCH USER POSSESSES DIRECT WRITTEN AUTHORIZATION FROM CHECKPOINT SYSTEMS

6

5

4

3

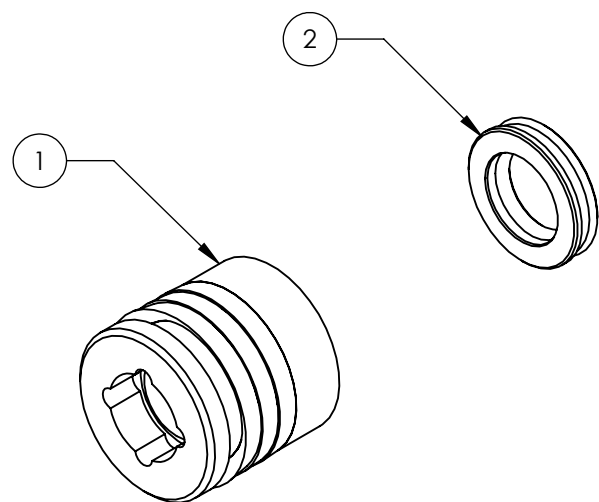
2

1

# 5808 WET END KITS

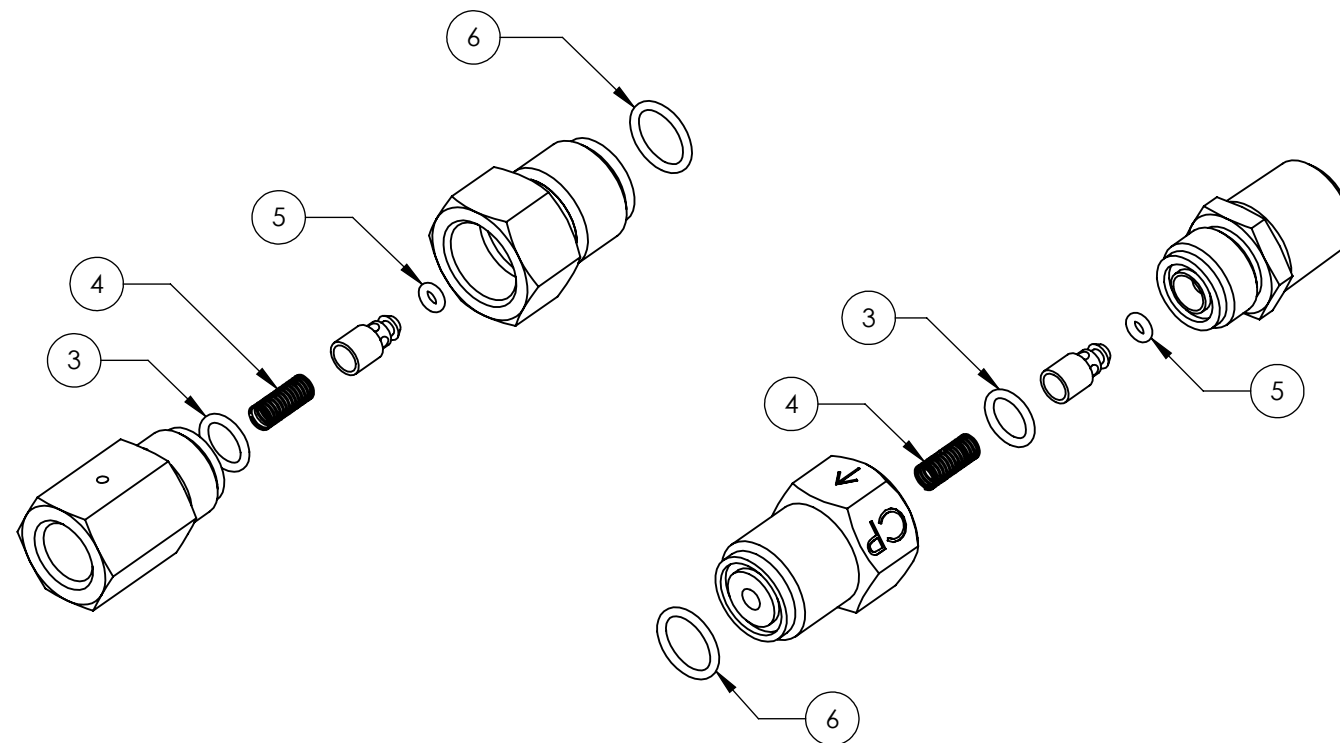
### HEAD REBUILD KIT

ITEM NO.	DESCRIPTION	QTY.
1	PACKING	1
2	WIPER SEAL	1



### CHECK VALVE REBUILD KIT

ITEM NO.	DESCRIPTION	QTY.
3	O-RING	2
4	SPRING	2
5	O-RING	2
6	O-RING	2



CHECK VALVE REBUILD KIT	
KIT #	DESCRIPTION
KFF04S6*301	TYPICAL 1/4" DISCHARGE CHECK VALVE (CDA06S6*101)
KFF04S6*301	TYPICAL 1/4" SUCTION CHECK VALVE (CFM08S6*101)

\* - INDICATED THE SEAL MATERIAL BELOW

H - HLC  
 Q - FKM  
 F - FFKM

HEAD REBUILD KIT		
HEAD TYPE	KIT #	DESCRIPTION
DEDICATED	K58HRKD08NF	HEAD REBUILD KIT 1/2" INCLUDES HEAD REBUILD KIT & CHECK KIT #KFF04S6F301 (2)
DEDICATED	K58HRKD08NH	HEAD REBUILD KIT 1/2" INCLUDES HEAD REBUILD KIT & CHECK KIT #KFF04S6H301 (2)
DEDICATED	K58HRKD08NQ	HEAD REBUILD KIT 1/2" INCLUDES HEAD REBUILD KIT & CHECK KIT #KFF04S6Q301 (2)

## MARKETING DRAWING

**CheckPoint**  
 Pumps & Systems

DWG. TITLE  
**KITS**  
**54/84 WET END**

REV  
**000** **MKT-W58-WE-KITS**

SIZE  
**B**

DRAWING NUMBER

SHEET 2 OF 6

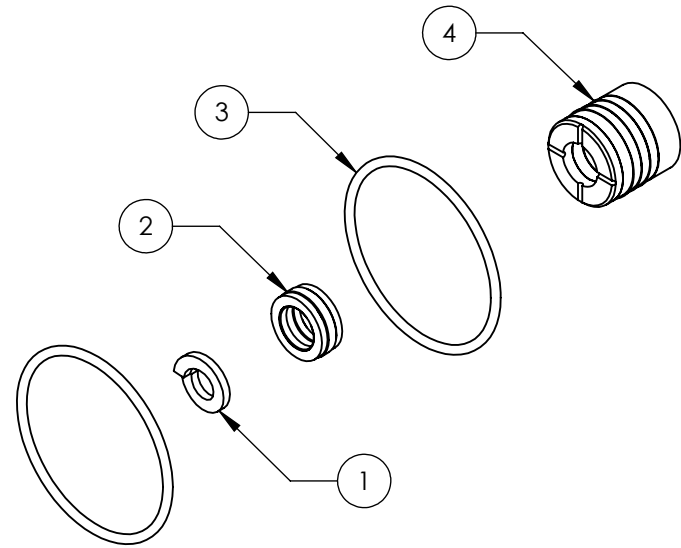


**PROPRIETARY AND CONFIDENTIAL**  
 THE INFORMATION CONTAINED HEREIN IS PROPRIETARY TO CHECKPOINT SYSTEMS AND SHALL NOT BE REPRODUCED OR DISCLOSED IN WHOLE OR IN PART OR USED FOR ANY PURPOSE EXCEPT WHEN SUCH USER POSSESSES DIRECT WRITTEN AUTHORIZATION FROM CHECKPOINT SYSTEMS

# 54&84-12 WET END KITS

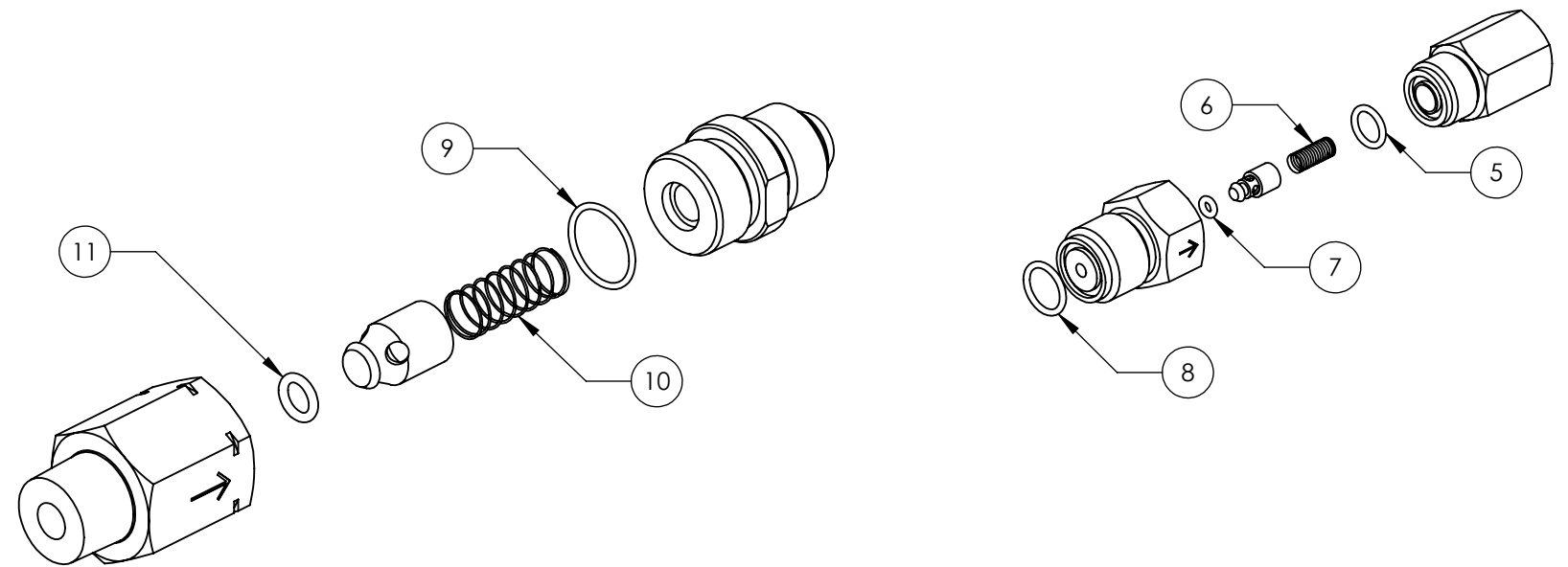
## HEAD REBUILD KIT

ITEM NO.	DESCRIPTION	QTY.
1	WASHER	1
2	OPTIRING	1
3	O-RING	2
4	PACKING	1



## CHECK VALVE REBUILD KIT

ITEM NO.	DESCRIPTION	QTY.
5	O-RING	2
6	SPRING	2
7	O-RING	2
8	O-RING	2
9	O-RING	2
10	SPRING	2
11	O-RING	2



NOTE: 2 KITS REQUIRED PER PUMP

CHECK VALVE REBUILD KIT	
KIT #	DESCRIPTION
KFF04S6*301	TYPICAL 1/4" DISCHARGE CHECK VALVE (CDF04S6*101)
KFM12S6*201	TYPICAL 3/4" SUCTION CHECK VALVE (CSM12S6*101-010)

\* - INDICATED THE SEAL MATERIAL BELOW

H - HLC  
Q - FKM  
F - FFKM

HEAD REBUILD KIT		
HEAD TYPE	KIT #	DESCRIPTION
MODULAR	K58HRKM12AF	HEAD REBUILD KIT 3/4" INCLUDES HEAD REBUILD KIT & CHECK KIT #KFM12S6F201 (2) & KFF04S6F301 (2)
MODULAR	K58HRKM12AH	HEAD REBUILD KIT 3/4" INCLUDES HEAD REBUILD KIT & CHECK KIT #KFM12S6H201 (2) & KFF04S6H301 (2)
MODULAR	K58HRKM12AQ	HEAD REBUILD KIT 3/4" INCLUDES HEAD REBUILD KIT & CHECK KIT #KFM12S6Q201 (2) & KFF04S6Q301 (2)

## MARKETING DRAWING

**CheckPoint**  
Pumps & Systems

DWG. TITLE

**KITS  
54/84 WET END**

REV

000

**MKT-W58-WE-KITS**

SIZE

**B**



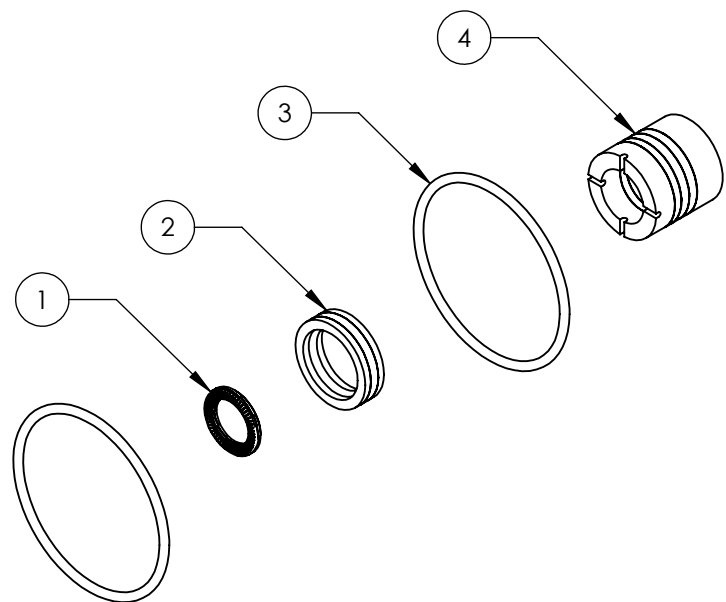
DRAWING NUMBER

SHEET 3 OF 6

# 54&84-16 WET END KITS

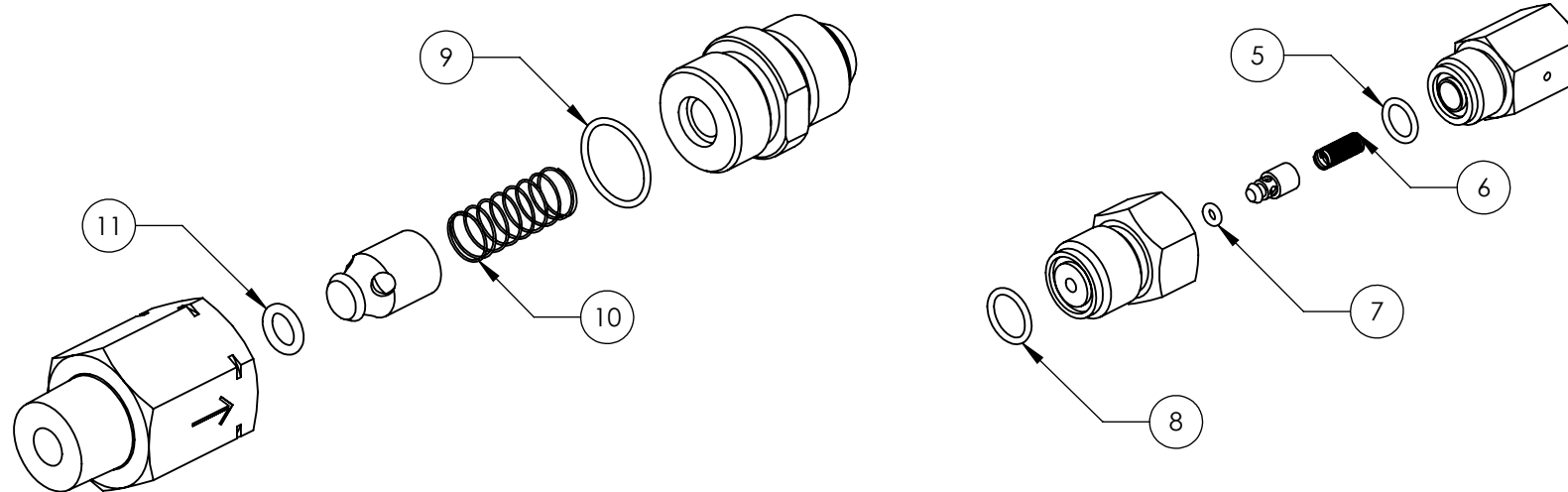
## HEAD REBUILD KIT

ITEM NO.	DESCRIPTION	QTY.
1	LOCK WASHER	1
2	OPTIRING	1
3	O-RING	2
4	PACKING	1



## CHECK VALVE REBUILD KIT

ITEM NO.	DESCRIPTION	QTY.
5	O-RING	2
6	SPRING	2
7	O-RING	2
8	O-RING	2
9	O-RING	2
10	SPRING	2
11	O-RING	2



NOTE: 2 KITS REQUIRED PER PUMP

## CHECK VALVE REBUILD KIT

KIT #	DESCRIPTION
KFF04S6*301	TYPICAL 1/4" DISCHARGE CHECK VALVE DIS (CDF04S6*101)
KFM12S6*201	TYPICAL 3/4" SUCTION CHECK VALVE SUC (CSM12S6101-010)

\* - INDICATED THE SEAL MATERIAL BELOW

H - HLC  
Q - FKM  
F - FFKM

## HEAD REBUILD KIT

HEAD TYPE	KIT #	DESCRIPTION
MODULAR	K58HRKM16AF	HEAD REBUILD KIT 3/4" INCLUDES HEAD REBUILD KIT & CHECK KIT #KFM12S6F201 (2) & KFF04S6F301 (2)
MODULAR	K58HRKM16AH	HEAD REBUILD KIT 3/4" INCLUDES HEAD REBUILD KIT & CHECK KIT #KFM12S6H201 (2) & KFF04S6H301 (2)
MODULAR	K58HRKM16AQ	HEAD REBUILD KIT 3/4" INCLUDES HEAD REBUILD KIT & CHECK KIT #KFM12S6Q201 (2) & KFF04S6Q301 (2)

## MARKETING DRAWING

CheckPoint  
Pumps & Systems

DWG. TITLE  
KITS  
54/84 WET END

REV  
000 MKT-W58-WE-KITS

SIZE  
B

DRAWING NUMBER

SHEET 4 OF 6

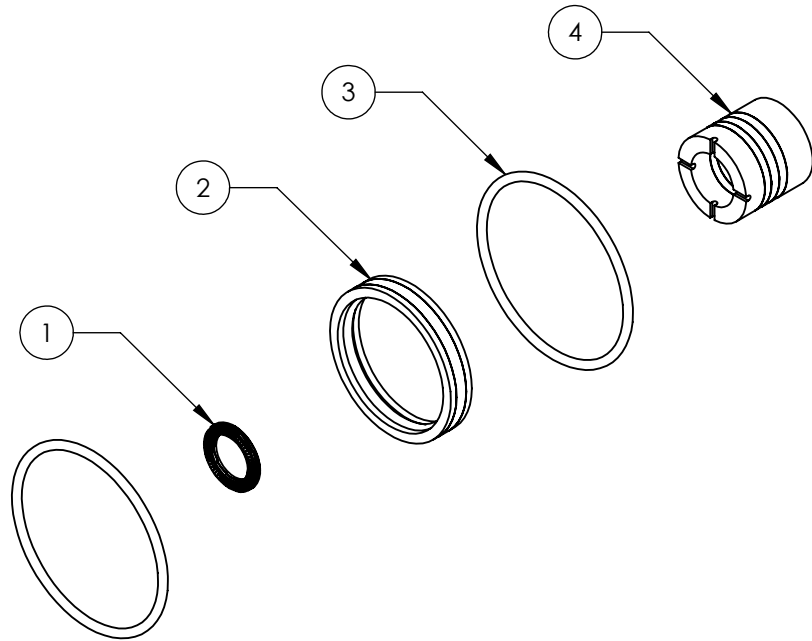


PROPRIETARY AND CONFIDENTIAL  
THE INFORMATION CONTAINED HEREIN IS PROPRIETARY TO CHECKPOINT SYSTEMS AND SHALL NOT BE REPRODUCED OR DISCLOSED IN WHOLE OR IN PART OR USED FOR ANY PURPOSE EXCEPT WHEN SUCH USER POSSESSES DIRECT WRITTEN AUTHORIZATION FROM CHECKPOINT SYSTEMS

# 5828 WET END KITS

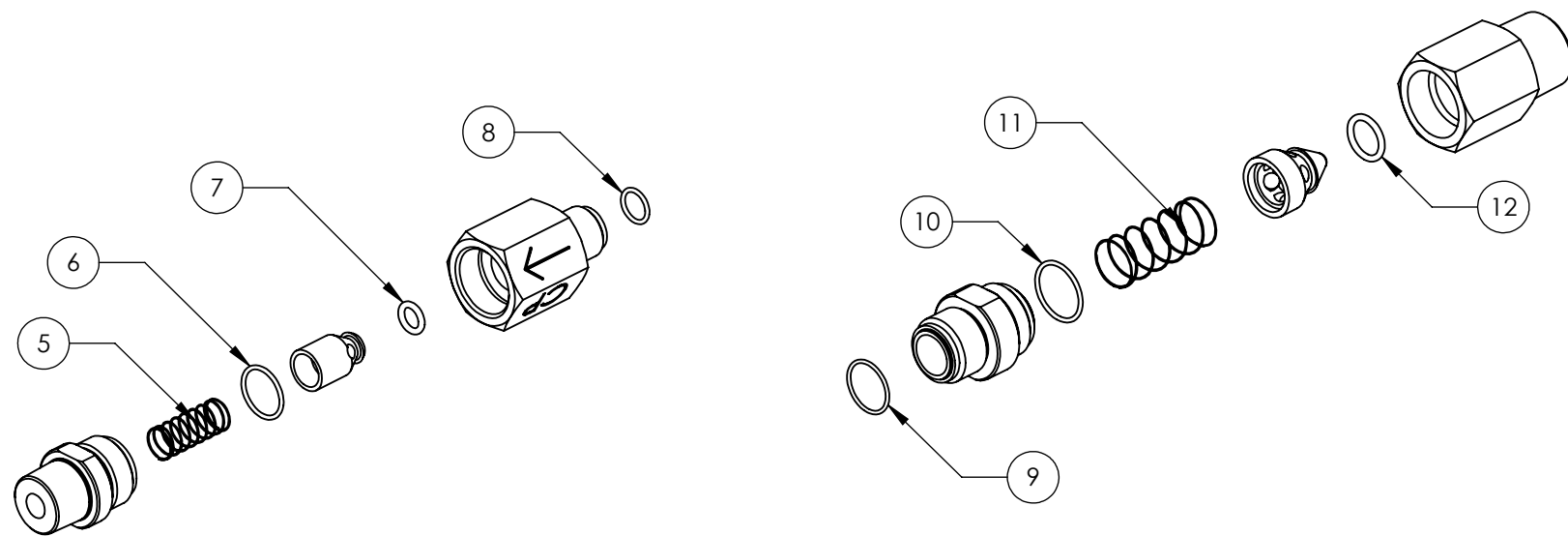
### HEAD REBUILD KIT

ITEM NO.	DESCRIPTION	QTY.
1	LOCK WASHER	1
2	OPTIRING	1
3	O-RING	2
4	PACKING	1



### CHECK VALVE REBUILD KIT

ITEM NO.	DESCRIPTION	QTY.
5	SPRING	2
6	O-RING	2
7	O-RING	2
8	O-RING	2
9	O-RING	2
10	O-RING	2
11	SPRING	2
12	O-RING	2



NOTE: 2 KITS REQUIRED PER PUMP

### CHECK VALVE REBUILD KIT

KIT #	DESCRIPTION
KFM12S6*201	TYPICAL 3/4" DISCHARGE CHECK VALVE (CDM12S6*101)
KFM16S6*105	TYPICAL 1" SUCTION CHECK VALVE (CSM16S6*101)

\* - INDICATED THE SEAL MATERIAL BELOW

H - HLC  
 Q - FKM  
 F - FFKM

### HEAD REBUILD KIT

HEAD TYPE	KIT #	DESCRIPTION
MODULAR	K58HRKM28AF	HEAD REBUILD KIT 1 3/4" INCLUDES HEAD REBUILD KIT & CHECK KIT #KFM12S6F201 (2) & KFF04S6F301 (2)
MODULAR	K58HRKM28AH	HEAD REBUILD KIT 1 3/4" INCLUDES HEAD REBUILD KIT & CHECK KIT #KFM12S6H201 (2) & KFF04S6H301 (2)
MODULAR	K58HRKM28AQ	HEAD REBUILD KIT 1 3/4" INCLUDES HEAD REBUILD KIT & CHECK KIT #KFM12S6Q201 (2) & KFF04S6Q301 (2)

### MARKETING DRAWING

**CheckPoint**  
 Pumps & Systems

DWG. TITLE  
**KITS**  
**54/84 WET END**

REV  
**000** **MKT-W58-WE-KITS**

SIZE  
**B**

DRAWING NUMBER

SHEET 5 OF 6

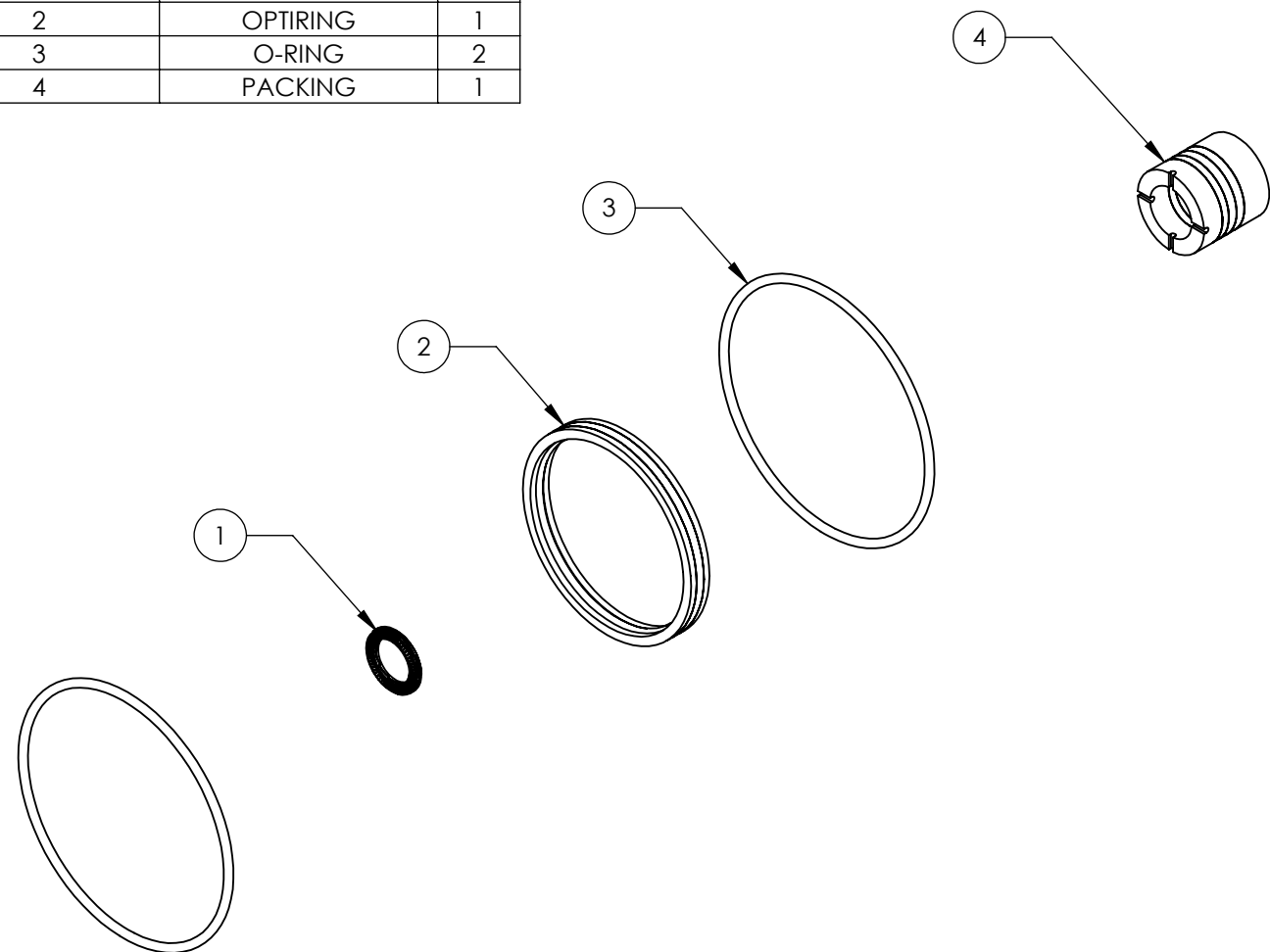


PROPRIETARY AND CONFIDENTIAL  
 THE INFORMATION CONTAINED HEREIN IS PROPRIETARY TO CHECKPOINT SYSTEMS AND SHALL NOT BE REPRODUCED OR DISCLOSED IN WHOLE OR IN PART OR USED FOR ANY PURPOSE EXCEPT WHEN SUCH USER POSSESSES DIRECT WRITTEN AUTHORIZATION FROM CHECKPOINT SYSTEMS

# 5840 WET END KITS

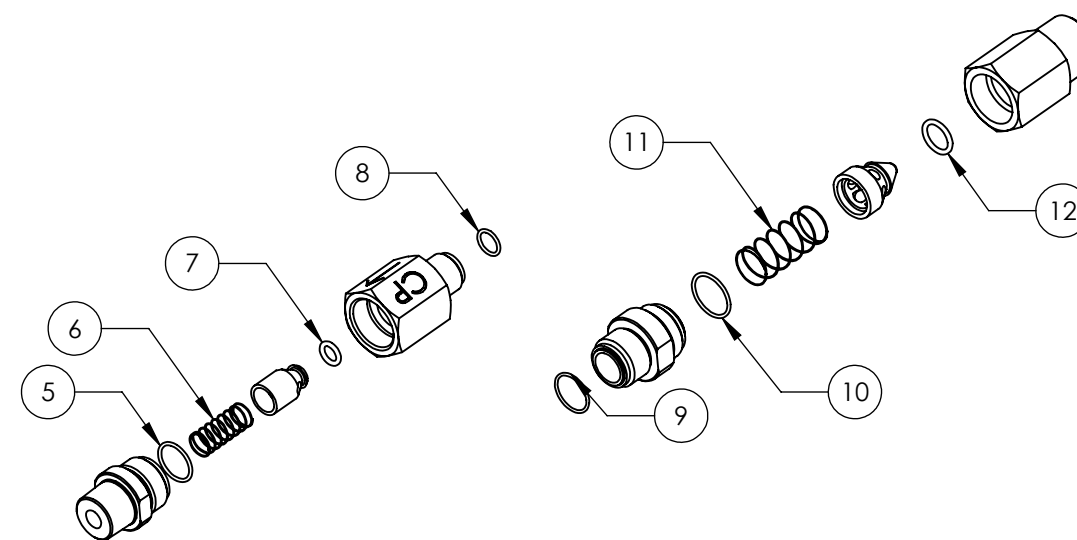
## HEAD REBUILD KIT

ITEM NO.	DESCRIPTION	QTY.
1	LOCK WASHER	1
2	OPTIRING	1
3	O-RING	2
4	PACKING	1



## CHECK VALVE REBUILD KIT

ITEM NO.	DESCRIPTION	QTY.
5	O-RING	2
6	SPRING	2
7	O-RING	2
8	O-RING	2
9	O-RING	2
10	O-RING	2
11	SPRING	2
12	O-RING	2



NOTE: 2 KITS REQUIRED PER PUMP

CHECK VALVE REBUILD KIT	
KIT #	DESCRIPTION
KFM12S6*201	TYPICAL 3/4" DISCHARGE CHECK VALVE (CDM12S6*101)
KFM16S6*105	TYPICAL 1" SUCTION CHECK VALVE (CSM16S6*101)

\* - INDICATED THE SEAL MATERIAL BELOW

H - HLC  
Q - FKM  
F - FFKM

HEAD REBUILD KIT		
HEAD TYPE	KIT #	DESCRIPTION
MODULAR	K58HRKM40AF	HEAD REBUILD KIT 2 1/2" INCLUDES HEAD REBUILD KIT & CHECK KIT #KFM12S6F201 (2) & KFF04S6F301 (2)
MODULAR	K58HRKM40AH	HEAD REBUILD KIT 2 1/2" INCLUDES HEAD REBUILD KIT & CHECK KIT #KFM12S6H201 (2) & KFF04S6H301 (2)
MODULAR	K58HRKM40AQ	HEAD REBUILD KIT 2 1/2" INCLUDES HEAD REBUILD KIT & CHECK KIT #KFM12S6Q201 (2) & KFF04S6Q301 (2)

## MARKETING DRAWING

**CheckPoint**  
Pumps & Systems

DWG. TITLE  
**KITS**  
**54/84 WET END**

REV  
**000** **MKT-W58-WE-KITS**

SIZE  
**B**



DRAWING NUMBER

SHEET 6 OF 6

PROPRIETARY AND CONFIDENTIAL  
THE INFORMATION CONTAINED HEREIN IS PROPRIETARY TO CHECKPOINT SYSTEMS AND SHALL NOT BE REPRODUCED OR DISCLOSED IN WHOLE OR IN PART OR USED FOR ANY PURPOSE EXCEPT WHEN SUCH USER POSSESSES DIRECT WRITTEN AUTHORIZATION FROM CHECKPOINT SYSTEMS