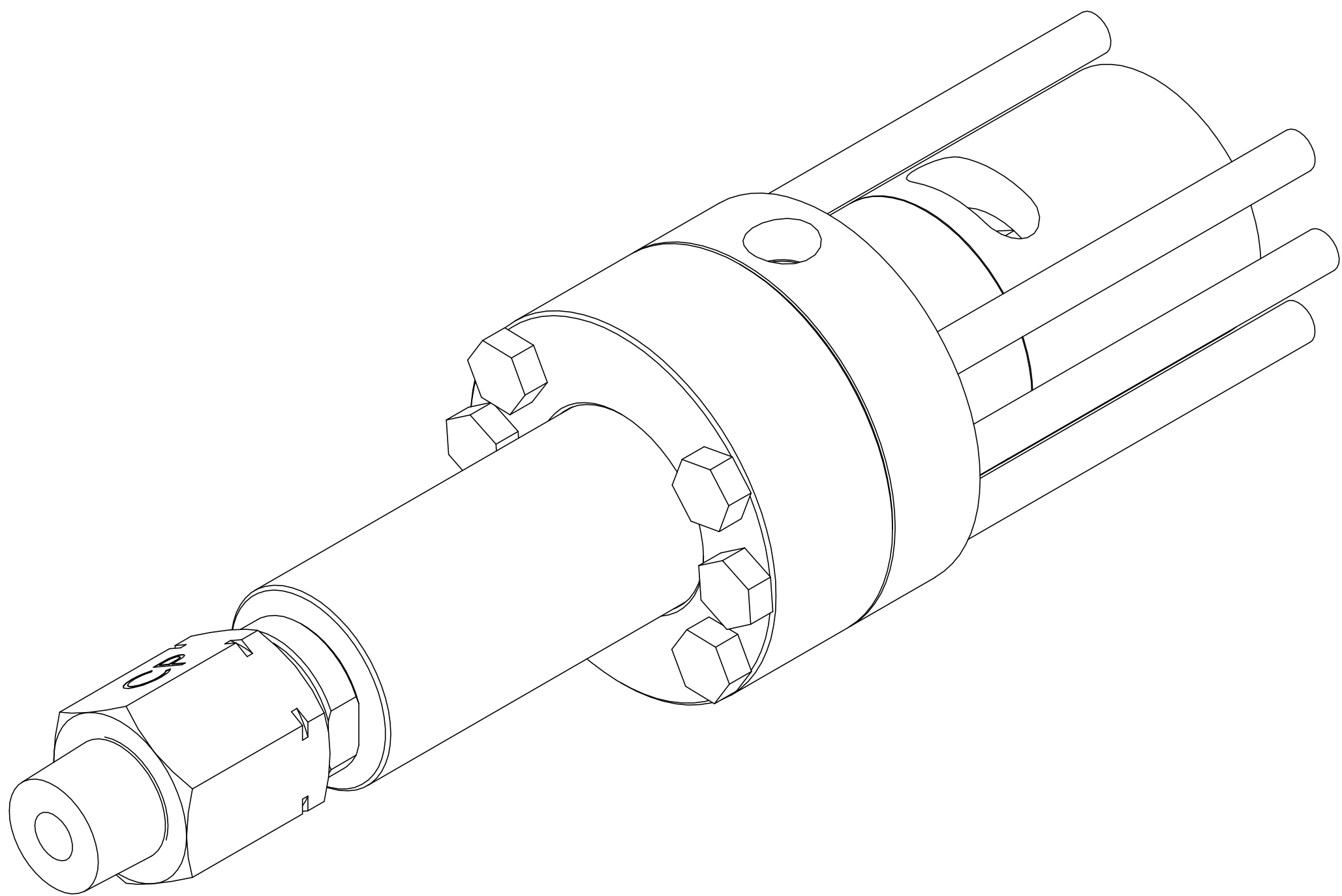




8 7 6 5 4 3 2 1

DATE	APPROVED
MAR-24-25	JF

6212 WET END KITS



MARKETING DRAWING

CheckPoint
Pumps & Systems



DWG. TITLE
KIT
6200 WET END

REV	000	MKT-W62-WE-KITS	SIZE B
-----	-----	-----------------	------------------

DRAWING NUMBER SHEET 1 OF 2

WEIGHT	13.5 lb / 6.13 kg
--------	-------------------

CPHQ/PTL-SHR-285 REV. 00 EFF. DATE: 03 OCT 2025

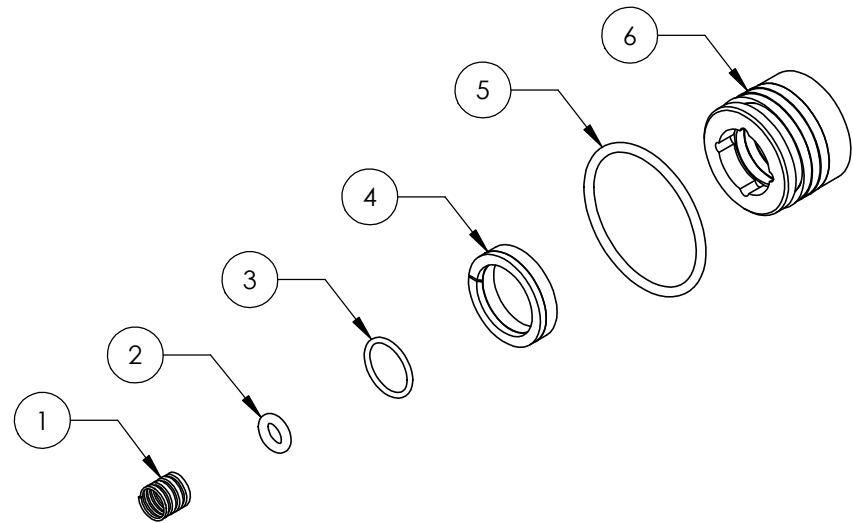
PROPRIETARY AND CONFIDENTIAL
THE INFORMATION CONTAINED HEREIN IS PROPRIETARY TO CHECKPOINT SYSTEMS AND SHALL NOT BE REPRODUCED OR DISCLOSED IN WHOLE OR IN PART OR USED FOR ANY PUPOSE EXCEPT WHEN SUCH USER POSSESSES DIRECT WRITTEN AUTHORIZATION FROM CHECKPOINT SYSTEMS

8 7 6 5 4 3 2 1

6212 WET END KITS

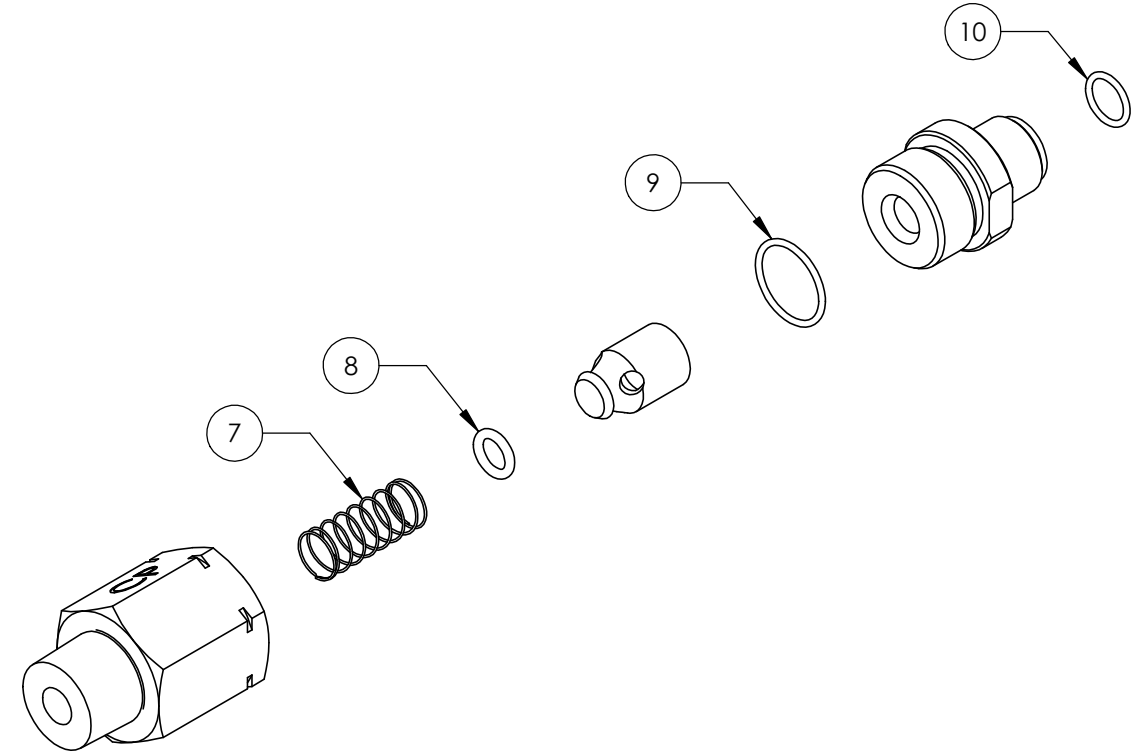
HEAD REBUILD KIT

ITEM NO.	DESCRIPTION	QTY.
1	SPRING	1
2	O-RING	1
3	O-RING	1
4	OPTIRING	1
5	O-RING	1
6	PACKING	1



CHECK VALVE REBUILD KIT

ITEM NO.	DESCRIPTION	QTY.
7	SPRING	1
8	O-RING	1
9	O-RING	1
10	O-RING	1



CHECK VALVE REBUILD KIT	
KIT #	DESCRSIPTION
KFM12S6*201	TYPICAL 3/4" SUCTION CHECK VALVE (CFM12SS6*201-010)

* - INDICATED THE SEAL MATERIAL BELOW

H - HLC
Q - FKM
F - FFKM

HEAD REBUILD KIT

HEAD TYPE	KIT #	DESCRIPTION
DEDICATED	K62HRKM12*	HEAD REBUILD KIT 3/4" INCLUDES HEAD REBUILD KIT & CHECK KIT #KFM12S6*201

* - INDICATED THE SEAL MATERIAL BELOW

H - HLC
Q - FKM
F - FFKM

MARKETING DRAWING

CheckPoint
Pumps & Systems

DWG. TITLE		SIZE B
KIT 6200 WET END		
REV	000	MKT-W62-WE-KITS
DRAWING NUMBER		SHEET 2 OF 2

