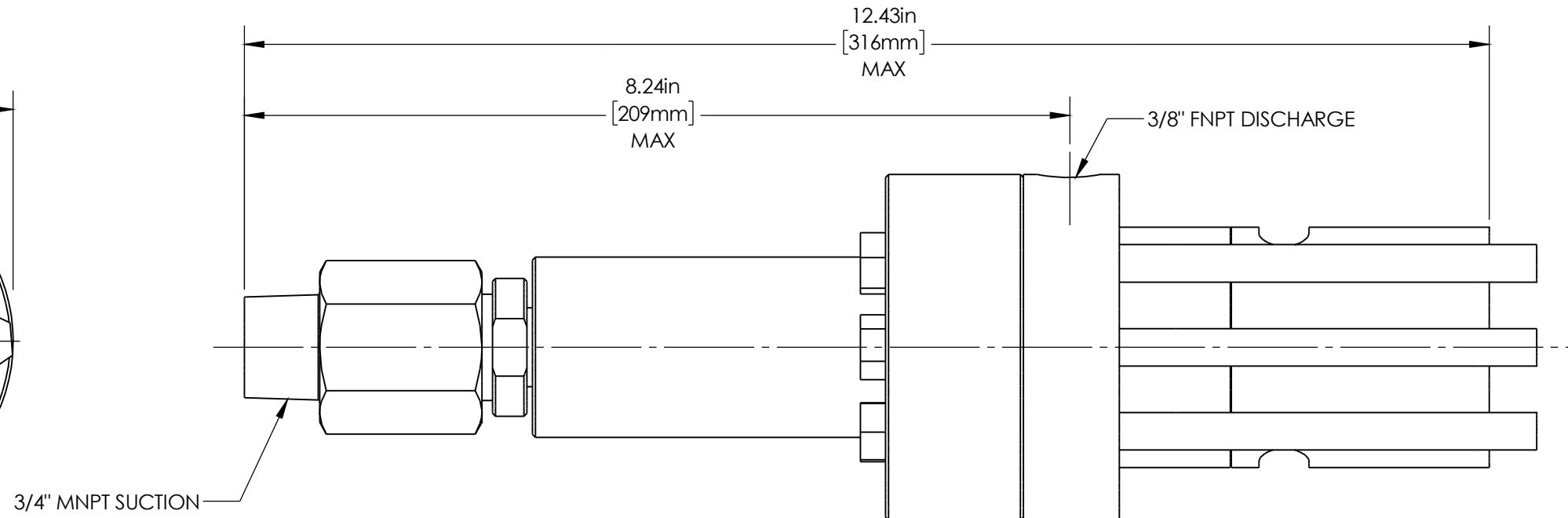
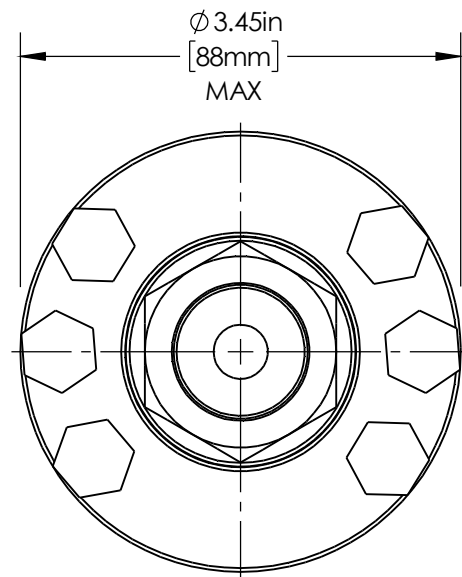
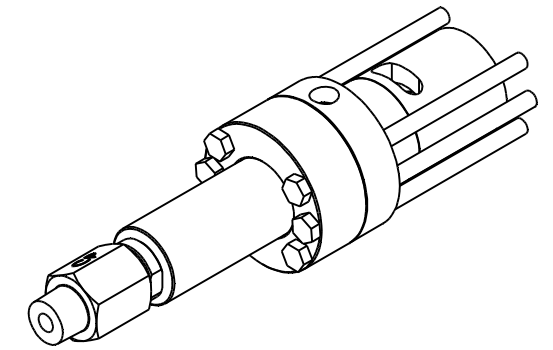




8	7	6
PART #	HEAD MATERIAL	PLUNGER MATERIAL
W62D312CNQPN3Q6	316 SS	CERAMIC COATED 316SS

1
DATE
MAR-24-25
APPROVED
JF



MARKETING DRAWING

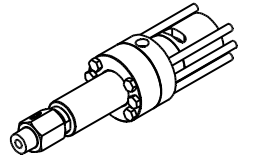
**CheckPoint**  
Pumps & Systems



DWG. TITLE		SIZE
6212 WET END ASSY 3/4" CERAMIC COATED- QLC		
REV	DRAWING NUMBER	SHEET 1 OF 4
000	W62D312CNQPN3Q6	<b>B</b>

WEIGHT	13.5 lb / 6.13 kg	CPHQ/PTL-SHR-350	REV. 01	EFF. DATE: 10 JUL 2025
--------	-------------------	------------------	---------	------------------------

**PROPRIETARY AND CONFIDENTIAL**  
 THE INFORMATION CONTAINED HEREIN IS PROPRIETARY TO CHECKPOINT SYSTEMS AND SHALL NOT BE REPRODUCED OR DISCLOSED IN WHOLE OR IN PART OR USED FOR ANY PUPOSE EXCEPT WHEN SUCH USER POSSESSES DIRECT WRITTEN AUTHORIZATION FROM CHECKPOINT SYSTEMS



**W62D312CNQPN3Q6**

ITEM NO.	PART NUMBER	DESCRIPTION	QTY.
1	C503N	POPPET	1
2	CFM12SS6Q201-010	CHECK ASSY	1
3	HHBS60616104	BOLT	6
4	HHJNS711116	JAM NUT	1
5	HHNS60820TH	JAM NUT	1
6	NCS12A125098	SEAL	1
7	P62FHS61	HEAD FLANGE	1
8	P62HSS61	SPACER	1
9	P62IHN5112	HEAD	1
10	P62PACS6112	SEAL RETAINER	1
11	P62PICN5112	PISTON CAP	1
12	P62PLGRCE112	PLUNGER ROD	1
13	P62PSN5112	PISTON SCREW	1
14	P62RFHS71-2	RETAINING RING	1
15	SELORPF-0403	O-RING	1
16	SELORPF-14515	O-RING	1
17	SELORPF-2503	O-RING	1
18	SPES112Q	SEAL	1
19	SPHC38597590	SPRING	1

**W62D312CNFPN3F6**

ITEM NO.	PART NUMBER	DESCRIPTION	QTY.
1	C503N	POPPET	1
2	CFM12SS6F201-010	CHECK ASSY	1
3	HHBS60616104	BOLT	6
4	HHJNS711116	JAM NUT	1
5	HHNS60820TH	JAM NUT	1
6	NCS12F125098	SEAL	1
7	P62FHS61	HEAD FLANGE	1
8	P62HSS61	SPACER	1
9	P62IHN5112	HEAD	1
10	P62PACS6112	SEAL RETAINER	1
11	P62PICN5112	PISTON CAP	1
12	P62PLGRCE112	PLUNGER ROD	1
13	P62PSN5112	PISTON SCREW	1
14	P62RFHS71-2	RETAINING RING	1
15	SELORFK-0403	O-RING	1
16	SELORFK-14515	O-RING	1
17	SELORFK-2503	O-RING	1
18	SPES112F	SEAL	1
19	SPHC38597590	SPRING	1

**W62D312CNHPN3H6**

ITEM NO.	PART NUMBER	DESCRIPTION	QTY.
1	C503N	POPPET	1
2	CFM12SS6H201-010	CHECK ASSY	1
3	HHBS60616104	BOLT	6
4	HHJNS711116	JAM NUT	1
5	HHNS60820TH	JAM NUT	1
6	NCS12H125098	SEAL	1
7	P62FHS61	HEAD FLANGE	1
8	P62HSS61	SPACER	1
9	P62IHN5112	HEAD	1
10	P62PACS6112	SEAL RETAINER	1
11	P62PICN5112	PISTON CAP	1
12	P62PLGRCE112	PLUNGER ROD	1
13	P62PSN5112	PISTON SCREW	1
14	P62RFHS71-2	RETAINING RING	1
15	SELORHN-0403	O-RING	1
16	SELORHN-14515	O-RING	1
17	SELORHN-2503	O-RING	1
18	SPES112H	SEAL	1
19	SPHC38597590	SPRING	1

**MARKETING DRAWING**

**CheckPoint**  
Pumps & Systems

DWG. TITLE  
**6212 WET END ASSY  
3/4" CERAMIC COATED- QLC**

REV  
**000 W62D312CNQPN3Q6**

SIZE  
**B**

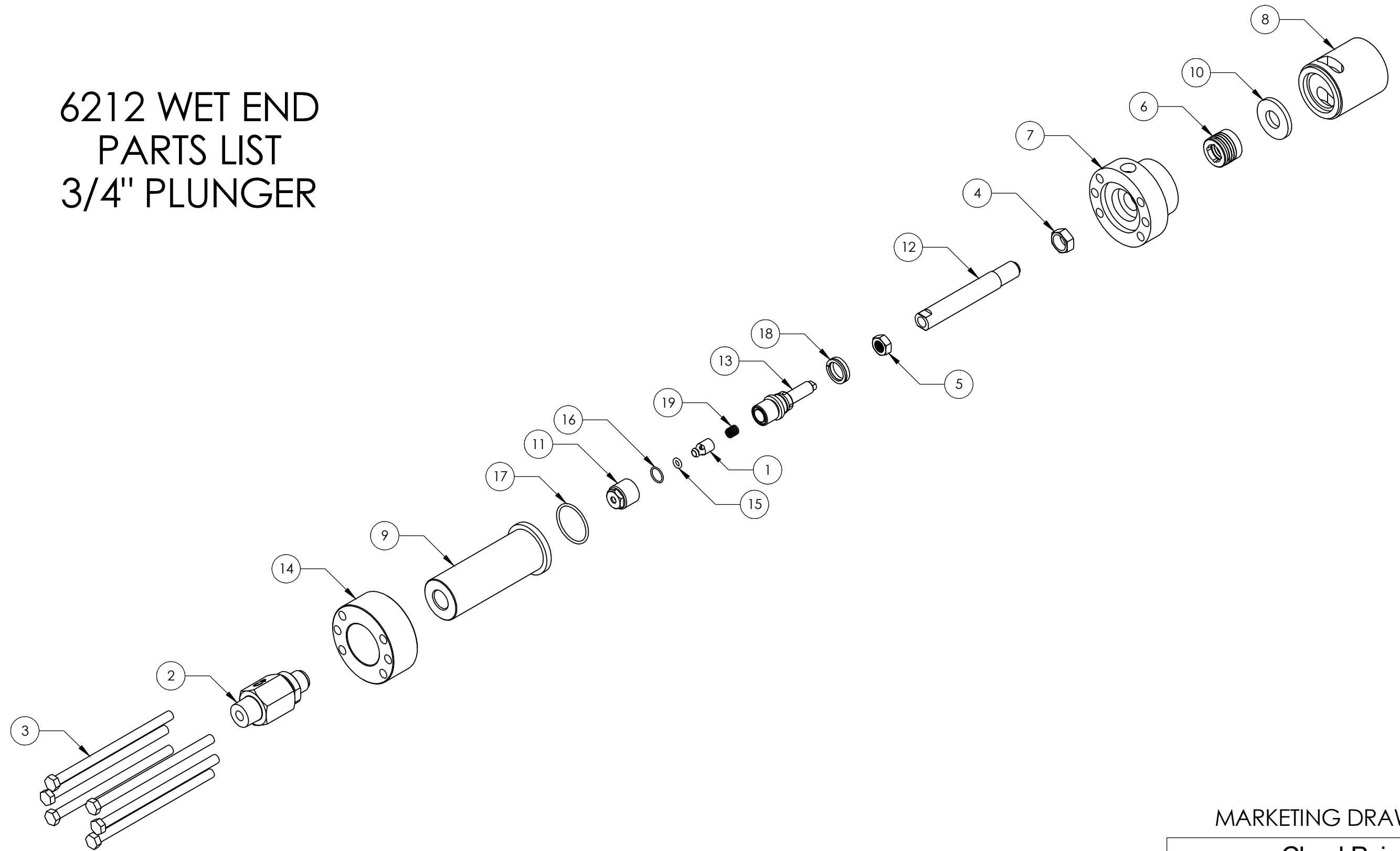
DRAWING NUMBER

SHEET 2 OF 4



8 7 6 5 4 3 2 1

# 6212 WET END PARTS LIST 3/4" PLUNGER



MARKETING DRAWING

**CheckPoint**  
Pumps & Systems

DWG. TITLE  
**6212 WET END ASSY  
3/4" CERAMIC COATED- QLC**

REV <b>000</b>	<b>W62D312CNQPN3Q6</b>	SIZE <b>B</b>
-------------------	------------------------	------------------

DRAWING NUMBER SHEET 3 OF 4



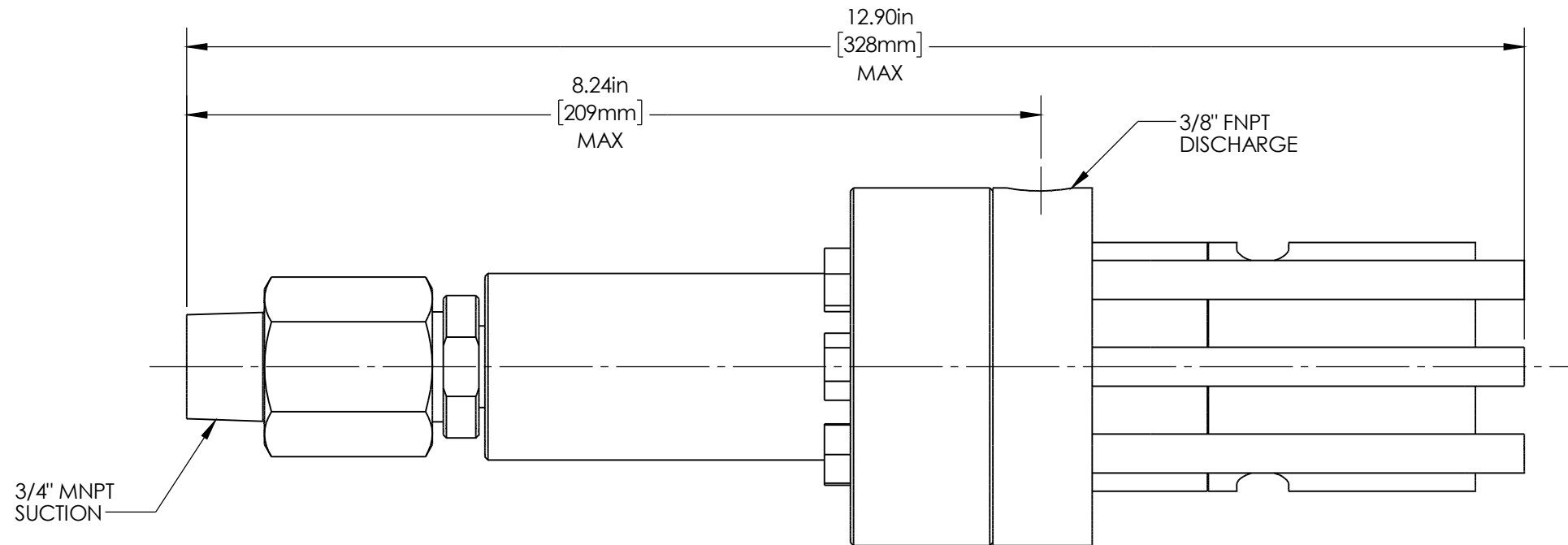
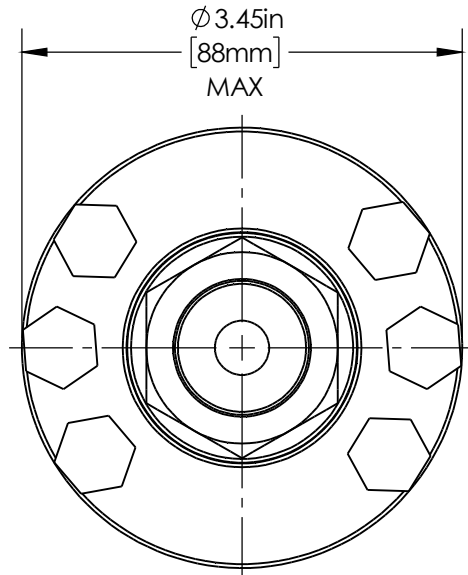
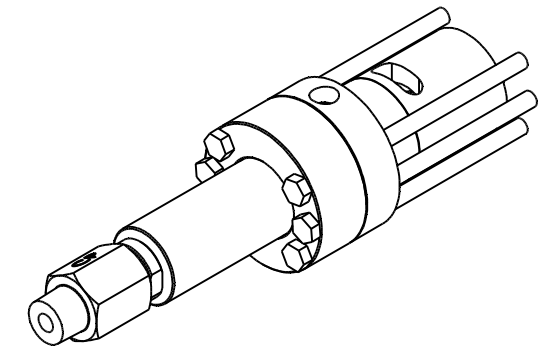
CPHQ/PTL-SHR-350 REV. 01 EFF. DATE: 10 JUL 2025

**PROPRIETARY AND CONFIDENTIAL**  
THE INFORMATION CONTAINED HEREIN IS PROPRIETARY TO CHECKPOINT SYSTEMS AND SHALL NOT BE REPRODUCED OR DISCLOSED IN WHOLE OR IN PART OR USED FOR ANY PURPOSE EXCEPT WHEN SUCH USER POSSESSES DIRECT WRITTEN AUTHORIZATION FROM CHECKPOINT SYSTEMS

8 7 6 5 4 3 2 1

8	7	6
PART #	HEAD MATERIAL	PLUNGER MATERIAL
W62D312NNQPN3Q6	316 SS	NITRONIC

1
DATE
MAR-24-25
APPROVED
JF



MARKETING DRAWING

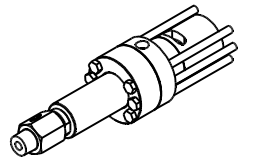
**CheckPoint**  
Pumps & Systems



DWG. TITLE		SIZE
6212 WET END ASSY 3/4"- NITRONIC - QLC		
REV	DRAWING NUMBER	SHEET 1 OF 4
000	W62D312NNQPN3Q6	<b>B</b>

WEIGHT	13.5 lb / 6.13 kg	CPHQ/PTL-SHR-350	REV. 01	EFF. DATE: 10 JUL 2025
--------	-------------------	------------------	---------	------------------------

**PROPRIETARY AND CONFIDENTIAL**  
 THE INFORMATION CONTAINED HEREIN IS PROPRIETARY TO CHECKPOINT SYSTEMS AND SHALL NOT BE REPRODUCED OR DISCLOSED IN WHOLE OR IN PART OR USED FOR ANY PUPOSE EXCEPT WHEN SUCH USER POSSESSES DIRECT WRITTEN AUTHORIZATION FROM CHECKPOINT SYSTEMS



**W62D312NNQPN3Q6**

ITEM NO.	PART NUMBER	DESCRIPTION	QTY.
1	C503N	POPPET	1
2	CFM12SS6Q201-010	CHECK ASSY	1
3	HHBS60616104	BOLT	6
4	HHJNS711116	JAM NUT	1
5	HHNS60820TH	JAM NUT	1
6	NCS12A125098	SEAL	1
7	P62FHS61	HEAD FLANGE	1
8	P62HSS61	SPACER	1
9	P62IHN5112	HEAD	1
10	P62PACS6112	SEAL RETAINER	1
11	P62PICN5112	PISTON CAP	1
12	P62PLGRNS112	PLUNGER ROD	1
13	P62PSN5112	PISTON SCREW	1
14	P62RFHS71-2	RETAINING RING	1
15	SELORPF-0403	O-RING	1
16	SELORPF-14515	O-RING	1
17	SELORPF-2503	O-RING	1
18	SPES112Q	SEAL	1
19	SPHC38597590	SPRING	1

**W62D312NNFPN3F6**

ITEM NO.	PART NUMBER	DESCRIPTION	QTY.
1	C503N	POPPET	1
2	CFM12SS6F201-010	CHECK ASSY	1
3	HHBS60616104	BOLT	6
4	HHJNS711116	JAM NUT	1
5	HHNS60820TH	JAM NUT	1
6	NCS12F125098	SEAL	1
7	P62FHS61	HEAD FLANGE	1
8	P62HSS61	SPACER	1
9	P62IHN5112	HEAD	1
10	P62PACS6112	SEAL RETAINER	1
11	P62PICN5112	PISTON CAP	1
12	P62PLGRNS112	PLUNGER ROD	1
13	P62PSN5112	PISTON SCREW	1
14	P62RFHS71-2	RETAINING RING	1
15	SELORFK-0403	O-RING	1
16	SELORFK-14515	O-RING	1
17	SELORFK-2503	O-RING	1
18	SPES112F	SEAL	1
19	SPHC38597590	SPRING	1

**W62D312NNHPN3H6**

ITEM NO.	PART NUMBER	DESCRIPTION	QTY.
1	C503N	POPPET	1
2	CFM12SS6H201-010	CHECK ASSY	1
3	HHBS60616104	BOLT	6
4	HHJNS711116	JAM NUT	1
5	HHNS60820TH	JAM NUT	1
6	NCS12H125098	SEAL	1
7	P62FHS61	HEAD FLANGE	1
8	P62HSS61	SPACER	1
9	P62IHN5112	HEAD	1
10	P62PACS6112	SEAL RETAINER	1
11	P62PICN5112	PISTON CAP	1
12	P62PLGRNS112	PLUNGER ROD	1
13	P62PSN5112	PISTON SCREW	1
14	P62RFHS71-2	RETAINING RING	1
15	SELORHN-0403	O-RING	1
16	SELORHN-14515	O-RING	1
17	SELORHN-2503	O-RING	1
18	SPES112H	SEAL	1
19	SPHC38597590	SPRING	1

**MARKETING DRAWING**

**CheckPoint**  
Pumps & Systems

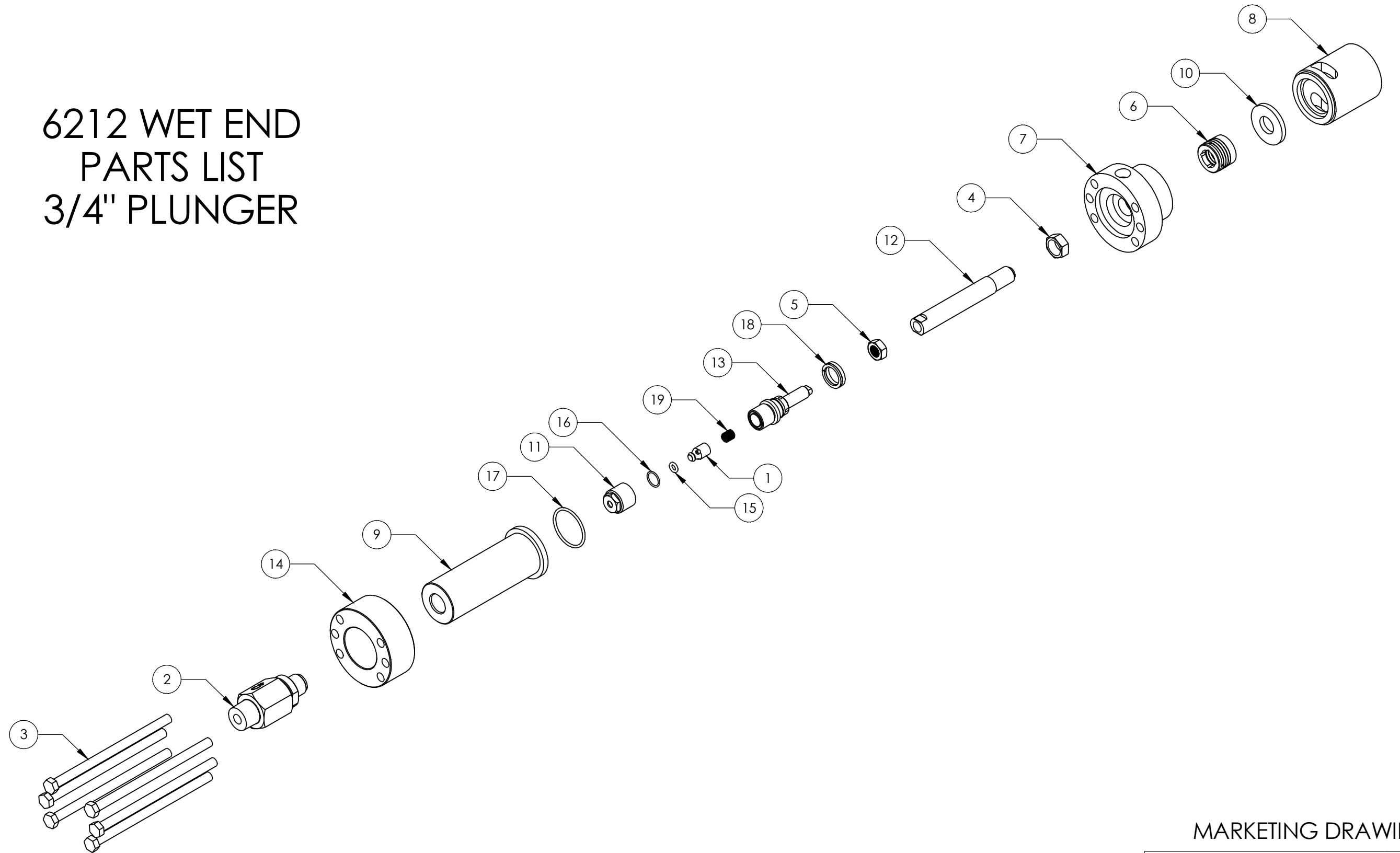
DWG. TITLE		SIZE
6212 WET END ASSY 3/4"- NITRONIC - QLC		<b>B</b>
REV	DRAWING NUMBER	SHEET 2 OF 4
000	W62D312NNQPN3Q6	



**PROPRIETARY AND CONFIDENTIAL**

THE INFORMATION CONTAINED HEREIN IS PROPRIETARY TO CHECKPOINT SYSTEMS AND SHALL NOT BE REPRODUCED OR DISCLOSED IN WHOLE OR IN PART OR USED FOR ANY PUPOSE EXCEPT WHEN SUCH USER POSSESSES DIRECT WRITTEN AUTHORIZATION FROM CHECKPOINT SYSTEMS

# 6212 WET END PARTS LIST 3/4" PLUNGER



CPHQ/PTL-SHR-350 REV. 01 EFF. DATE: 10 JUL 2025

**PROPRIETARY AND CONFIDENTIAL**

THE INFORMATION CONTAINED HEREIN IS PROPRIETARY TO CHECKPOINT SYSTEMS AND SHALL NOT BE REPRODUCED OR DISCLOSED IN WHOLE OR IN PART OR USED FOR ANY PUPOSE EXCEPT WHEN SUCH USER POSSESSES DIRECT WRITTEN AUTHORIZATION FROM CHECKPOINT SYSTEMS



MARKETING DRAWING

**Checkpoint**  
Pumps & Systems

DWG. TITLE		6212 WET END ASSY 3/4"- NITRONIC - QLC	
REV	000	DRAWING NUMBER	W62D312NNQPN3Q6
		SIZE <b>B</b>	
		SHEET 3 OF 4	